



# Cyber Lock<sup>®</sup>

*The Lock from Lock Experts*

COMBI



PERSONAL 私人



PUBLIC 公用



REPLACE ANY STANDARD FURNITURE LOCK TO GET INSTANT KEYLESS ACCESS  
任何家具锁都无需使用钥匙

 *Digit*

**COMBINATION LOCKS**

4位数密码锁





REPLACE ANY STANDARD FURNITURE LOCK TO GET INSTANT KEYLESS ACCESS

任何家具锁都无需使用钥匙





## CERTIFICATES 证书

The Lock from Lock Experts



## AWARDS 奖项



2011 国际ARCH  
欧洲质量奖

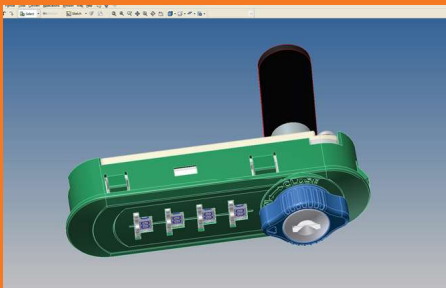
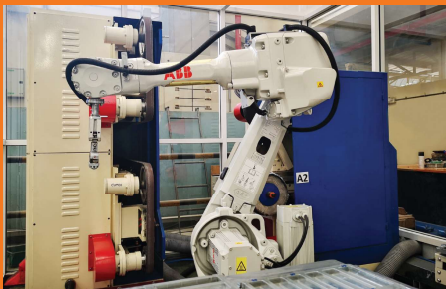


PRIME MINISTER'S  
EXPORT AWARD  
2006, 2012  
2006, 2012  
年度出口奖

- ★ THE BEST EXPORTER 2006
- ★ THAI OWNED BRAND 2006
- ★ THAI OWNED DESIGN 2006
- ★ THAI OWNED BRAND 2012
- ★ 2006 最佳出口荣誉证书
- ★ 2006 泰国自主品牌奖
- ★ 2006 泰国最佳设计奖
- ★ 2012 泰国自主品牌奖

# COMPANY PROFILE

## 公司简介



### INTRODUCTION

**Cyber Lock®** IS SYNONYMOUS WITH QUALITY AMONG RENOWNED FURNITURE MANUFACTURERS AND RELATED BUSINESSES AROUND THE WORLD FOR OFFERING SECURITY PRODUCTS IN THE FIELD OF LOCK AND LOCKING SYSTEMS. THE BRAND IS RECOGNIZED FOR QUALITY AND INNOVATIVE DESIGNS THAT HAVE BEEN ACQUIRED OVER TIME.

### CORPORATE POLICY

OUR OPERATIONS ARE FOCUSED ON THREE MAIN ASPECTS NAMELY MODERN PRODUCTION AND DESIGN, FINE WORKMANSHIP AND STRICT QUALITY CONTROL.

OUR INCENTIVE IS DERIVED FROM THE FEEDBACK AND CUSTOMERS SATISFACTION THAT PROVIDE CONTINUAL MOTIVATION FOR US TO EXCEL IN EVERY STAGE OF OUR WORK.

OUR CUSTOMERS ENTRUST US AS A RESULT OF OUR COMMITMENT AND ADHERENCE TO OUR MANAGEMENT POLICY OF:

- CUSTOMER SATISFACTION PRIORITY
- ON-TIME DELIVERY
- CONTINUAL IMPROVEMENT
- QUALITY PRODUCTS MANUFACTURING

### PRODUCTS

OUR PRODUCTS INCLUDE THE FOLLOWING CATEGORIES:

- WOODEN FURNITURE LOCKS
- METAL FURNITURE LOCKS
- ELECTRICAL PANEL LOCKS
- ALUMINIUM DOOR LOCKS
- SAFE LOCKS
- COMBINATION LOCKS
- MOTORCYCLE LOCKS
- AUTOMOTIVE PARTS
- HARDWARE & FITTINGS FOR DOOR, WINDOW AND FURNITURE

### HISTORY

**Cyber Lock®** HAS BEEN AN UNDERTAKING SINCE 1992 FROM THE INCEPTION OF SIAM BAICO CO., LTD. THAT INITIALLY PRODUCED LOCK MECHANISMS FOR WOODEN FURNITURE, METAL FURNITURE, ELECTRICAL PANELS AND SAFES. THE COMPANY PREDOMINANTLY CONCENTRATED ON CATERING TO THE NEEDS OF THE DOMESTIC MARKET. IT RAPIDLY GAINED CUSTOMERS CONFIDENCE AND SATISFACTION AND BECAME KNOWN FOR ITS EXPERTISE IN PROVIDING INTEGRATED SOLUTIONS FOR VARIOUS LOCKING APPLICATIONS.

CUSTOMERS THROUGHOUT THE REGION SOON SOUGHT AFTER THE COMPANY'S PRODUCTS FOR ITS HIGH PERFORMANCE AND EXCELLENT QUALITY. THIS SPEARHEADED THE EXPANSION OF ANOTHER COMPANY AND PRODUCTION CAPACITY THAT WOULD BE DEDICATED TO SERVING THE NEEDS OF ANOTHER DISTRIBUTION CHANNEL IN THE OVERSEAS MARKET.

IN MARCH 2000, SIAM INTER LOCK TEK CO., LTD. WAS ESTABLISHED WITH A NEW 24,000 SQUARE METER FACILITY THAT WAS FULLY EQUIPPED WITH THE LATEST KNOW-HOW IN PRODUCTION TECHNOLOGY AND R&D, IN COMPLIANCE AND CONFORMANCE TO INTERNATIONAL QUALITY STANDARDS AND CRITERIA.

### PRODUCTS DEVELOPMENT

THE EPITOME OF OUR SUCCESS IS ATTRIBUTED TO OUR COMMITMENT IN HIGH OPERATIONAL STANDARDS AND PRODUCT EXCELLENCE. THIS IS CONTRIBUTED THROUGH EVERY ENDEAVOR BY OUR HIGHLY EXPERIENCED AND SKILLED PERSONNEL, AND THE USE OF TECHNOLOGY WHICH FACILITATE IN MAKING THE FINEST PRODUCTS THAT MEET INTERNATIONAL STANDARDS. WHILE CONSTANTLY UPGRADING OUR TECHNOLOGICAL PROFICIENCY, WE PAY EQUAL ATTENTION TO THE PROFICIENCY OF OUR STAFF.

### ACCREDITATIONS, CERTIFICATES AND AWARDS

- WE ARE ACCREDITED BY SGS (THAILAND) AND UKAS (UK) FOR ISO 9001:2008, ALSO BY SGS (THAILAND) AND IATF (UK) FOR ISO/TS 16949:2009.
- WE ARE RECIPIENT OF CERTIFICATES FOR INTERNATIONAL TESTING STANDARDS FROM MEL-CHARLTON, INC. (USA) FOR ANSI/BIFMA AND LGA (GERMANY) FOR DIN.
- "ARCH OF EUROPE" FOR QUALITY AND TECHNOLOGY IN PLATINUM CATEGORY CERTIFICATE WAS AWARDED TO US IN FRANKFURT, GERMANY IN 2011.
- WE ALSO RECEIVED PRIME MINISTER'S EXPORT AWARDS FOR 2006 & 2012 IN CATEGORIES SUCH AS
  - THE BEST EXPORTER 2006
  - THAI OWNED BRAND 2006
  - THAI OWNED DESIGN 2006
  - THAI OWNED BRAND 2012

AWARDS ARE ALSO BESTOWED UPON US FOR DISTINCTIVE DEVELOPMENT AND MARKETING.

### WORLDWIDE MARKETING

**Cyber Lock®**'S CLIENTELE CONSISTS OF CUSTOMERS COVERING 6 CONTINENTS: NORTH AMERICA, SOUTH AMERICA, EUROPE, ASIA, AFRICA, AND AUSTRALIA.







# COMPANY PROFILE 公司简介

## 简介

**Cyber Lock®** 的意思是：著名的家具锁生产商及世界各国锁业联盟和相关安全锁生产商。该商标的设计已被公认，并被视作质量创新品牌。

## 公司政策

我们的业务主要集中在三每方面：即现代化生产和设计理念，精细的做功和严格的质量控制。我们的动力来自于客户的信息反馈和满意度，使我们在工作中坚持每一个流程的改革创新。客户对我们的信任来自于我们的自信和人性化的管理制度：

- 客户的满意度优先
- 积极创新
- 交货准时
- 卓越的品质

## 产品简介

我们的产品包括以下几款

- 木柜家具锁
- 铁柜家具锁
- 电箱锁
- 铝质门锁
- 保险柜锁
- 密码锁
- 摩托车锁
- 汽车零部件
- 各种硬件 门窗及家具设备

## 发展历程

**Cyber Lock®** 成立于 1992 年，曾用名 Siam Baico。起初以生产木制家具锁；铁质家具锁；电控箱锁及保险柜锁为主，并将主要业务聚焦于泰国国内市场，并以惊人的速度发展成为家喻户晓的品牌。与此同时，公司通过对锁业领域各方面的资源整合，使公司在锁业领域发展的更为专业。

之后不久，公司凭借着产品过硬的质量和标准，使产品远销国内外，同时为了满足国内外市场的需求，公司决定扩大生产规模

2000年3月份，一个占地面积24,000平方米的 Siam inter lock tek 悄然落成，为了符合相关监管要求和达到国际标准，公司同时引进了先进的生产设备，技术并成立了研发团队。

## 产品创新开

我们的成就来自于严格的操作标准和精益求精的品质理念，来自于无数人的艰辛奋斗和丰富的工作经验。为了能使产品达到国际标准，公司同时引进了先进的生产技术，并通过培训来不断提升员工，使公司能够持续不断地生产高品质的产品。

## 资格证，认证书和各类荣誉证书

- 我们通过了SGS (泰国) 公司的认证和UKAS(联合国) ISO 9001: 2008 国际质量体系认证。并通过了SGS(泰国) 公司和IATF(联合国)ISO/TS 16949: 2009 相关体系认证。
- 我们荣获了 MEI-CHARLTON, INC(美国) ANSI/BIFMA 和 LGA (德国) DIN 国际认证机构的认证书。
- 2011年，在德国法兰克福，我们荣获了“Arch of Europe”品质和技术铂金荣誉证书。
- 除此以外 2006年和2012年，我们也荣获了总理颁发的多项荣誉证书
  - 2006最佳出口荣誉证书
  - 2006泰国自主品牌奖
  - 2006泰国最佳设计奖
  - 2012泰国自主品牌奖

我们荣获的各类奖项都离不开我们优秀的开发和销售团队。

## 国际市场

**Cyber Lock®** 的客户群覆盖了全球六大洲，包括：北美洲；南美洲；亚洲；非洲和澳大利亚洲。



[www.cyber-lock.com](http://www.cyber-lock.com)



[cllocks@yahoo.com](mailto:cllocks@yahoo.com)



13.557494, 100.231684



# Anti-Bacterial

## Plastic Key Cap

为塑胶钥匙柄添加了抑菌成分

**99%** GUARANTEED TO INHIBIT THE GROWTH OF MICROORGANISMS  
强效抑制细菌滋生



PROTECTION THAT LIVES ON  
**MICROBAN**  
抗菌保护

WE ARE THE 1<sup>st</sup> FURNITURE LOCKS MANUFACTURER IN THE WORLD TO PROVIDE ANTIBACTERIAL PLASTIC KEY CAP WITH MICROBAN® TECHNOLOGY.

我们是全球第一家在生产家具锁钥匙的过程中将 Microban 抑菌成分添加在了塑胶钥匙柄内。

### MICROBAN® FAQ'S

● WHAT IS MICROBAN® ANTIBACTERIAL PRODUCT PROTECTION?

MICROBAN® TECHNOLOGY IS BUILT-IN ANTIBACTERIAL PROTECTION THAT GIVES PRODUCTS AN ADDED LEVEL OF PROTECTION AGAINST MICROBES SUCH AS STAIN AND ODOR CAUSING BACTERIA, MOLD, AND MILDEW.

● HOW DO PRODUCTS WITH MICROBAN® ANTIBACTERIAL PROTECTION WORK?

MICROBAN® PROTECTION INHIBITS THE GROWTH OF MICROORGANISMS. WHEN MICROBES COME IN CONTACT WITH THE PRODUCT SURFACE, MICROBAN® PROTECTION PENETRATES THE CELL WALL OF THE MICROORGANISM AND DISRUPTS CELL FUNCTIONS MAKING THE MICROORGANISM UNABLE TO FUNCTION, GROW, AND REPRODUCE.

● WHAT BENEFIT DO I GET FROM PRODUCTS WITH MICROBAN® ANTIBACTERIAL PROTECTION?

MICROBAN® PROTECTION CONTINUOUSLY FIGHTS THE GROWTH OF MICROBES SUCH AS ODOR AND STAIN CAUSING BACTERIA, MOLD, AND MILDEW. MICROBAN® PROTECTION MAKES PRODUCTS EASIER TO CLEAN AND KEEPS THEM CLEANER BETWEEN CLEANINGS.

● WHAT TYPES OF MICROORGANISMS DOES MICROBAN® PROTECTION WORK AGAINST?

MICROBAN® ANTIBACTERIAL PROTECTION IS EFFECTIVE AGAINST MOST COMMON BACTERIA, YEASTS, MOLDS, AND FUNGI THAT CAUSE STAINS, ODORS AND PRODUCT DEGRADATION. MICROBAN® TECHNOLOGY IS NOT DESIGNED TO PROTECT USERS FROM DISEASE CAUSING MICROORGANISMS.

● HOW DO I KNOW THAT MICROBAN® ANTIBACTERIAL PRODUCT PROTECTION IS SAFE?

MICROBAN® TECHNOLOGY HAS UNDERGONE EXTENSIVE INDEPENDENT LABORATORY TESTING AND HAS A LONG HISTORY OF SAFE USE. IT IS REGISTERED WITH THE EPA FOR ALL APPLICATIONS IN WHICH IT IS USED. MICROBAN® ADDITIVES CAN BE FOUND IN LEADING CONSUMER AND INDUSTRIAL APPLICATIONS AROUND THE WORLD.

● DOES THIS MEAN I DON'T HAVE TO CLEAN MY PRODUCTS AS MUCH OR AS CAREFULLY?

NO. MICROBAN® PROTECTION PROVIDES CONTINUOUS ANTIBACTERIAL PROTECTION THAT PROTECTS THE PRODUCTS, MAKING THEM EASIER TO CLEAN AND KEEPING THEM CLEANER BETWEEN CLEANINGS. HOWEVER, NORMAL CLEANING PRACTICES SHOULD BE MAINTAINED.

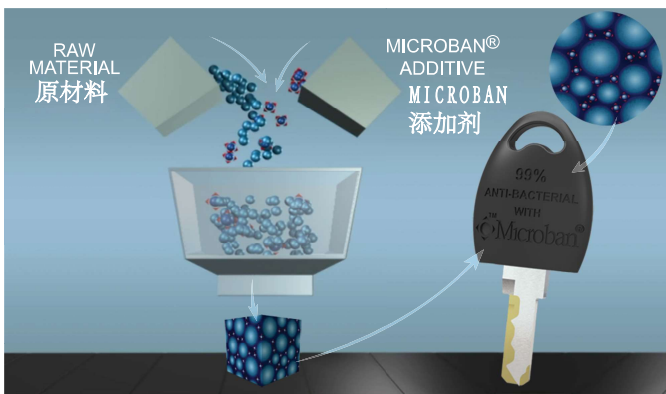
● DOES MICROBAN® PROTECTION BEGIN WORKING IMMEDIATELY?

MICROBAN® PROTECTION BEGINS TO WORK AS SOON AS THE MICROORGANISM COMES INTO CONTACT WITH THE PRODUCT SURFACE.

IT THEN WORKS CONTINUOUSLY TO MAINTAIN A CONSISTENTLY LOWER BIO-BURDEN THAN WOULD BE EXPECTED ON A PRODUCT WITHOUT MICROBAN® ANTIBACTERIAL PROTECTION. UNDER THE RIGHT CONDITIONS, MICROBES ON AN UNTREATED SURFACE CAN DOUBLE EVERY 20 MINUTES! MICROBAN® TECHNOLOGY IS NOT A DISINFECTANT AND IS NOT A SUBSTITUTE FOR NORMAL CLEANING PRACTICES.

● HOW LONG DOES MICROBAN® ANTIBACTERIAL PROTECTION WORK?

MICROBAN® PROTECTION IS BUILT-IN DURING THE MANUFACTURING PROCESS AND WILL NOT WASH OFF OR WEAR AWAY. MICROBAN® PROTECTION IS ENGINEERED TO PROVIDE CONTINUOUS ANTIBACTERIAL PRODUCT PROTECTION FOR THE USEFUL LIFETIME OF THE PRODUCT.



### INVISIBLE CLEANLINESS

MICROBAN® ANTIBACTERIAL TECHNOLOGIES PROVIDE A BACTERIOSTATIC OR BACTERIOCIDAL EFFECT REDUCING THE BACTERIAL CONTAMINATION ON A SURFACE, BUT NOT NECESSARILY PRODUCING A VISUAL EFFECT THAT CAN BE SEEN BY THE NAKED EYE.

### 无法用肉眼看到的清洁度

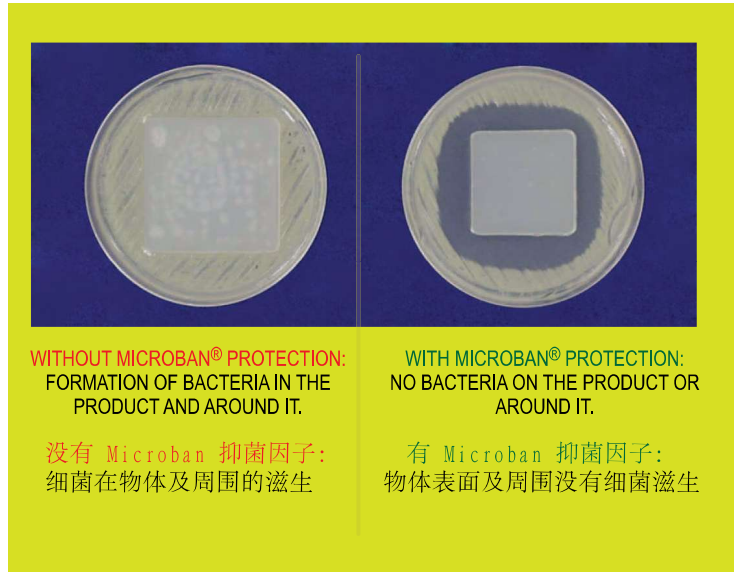
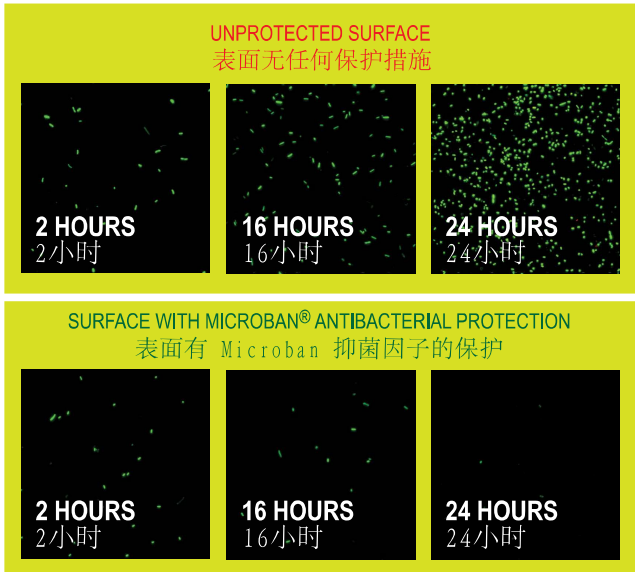
Microban 抑菌因子能有效地抑制产品表面各类细菌和霉菌的滋生，但整个过程是无法用肉眼看到的。

MICROBAN® IS A REGISTERED TRADEMARK OF MICROBAN PRODUCTS COMPANY, NC, USA.  
Microban 隶属美国 Microban Products company 注册品牌



THIS INFORMATION IS BASED UPON STANDARD LABORATORY TESTS AND IS PROVIDED FOR COMPARATIVE PURPOSES TO SUBSTANTIATE ANTIBACTERIAL ACTIVITY FOR NON-PUBLIC HEALTH APPLICATIONS. ANTIBACTERIAL ACTIONS IS LIMITED TO THE PRODUCT SURFACE.

这份资料基于标准实验室的试验结果，其目的在于对比及证明细菌在非公众的环境下对健康的危害。此试验仅对物体表面的细菌进行处理对比。



### 关于 Microban 的常见问题

#### • 什么是 Microban?

Microban 是一种抗菌成分，能有效的抑制各种细菌的入侵，如：细菌产生的霉菌，异味及病毒等。

#### • Microban 如何起到对产品的抗菌保护作用?

当产品的表面有细菌滋生时，此时Microban抗菌因子将会穿透细菌的细胞壁，并扰乱细胞功能，使细菌无法继续生长和繁殖。

#### • 我会从带有 Microban 抗菌成分的产品中得到哪些益处?

在 Microban 抑菌因子的持续保护作用下，使细菌产生的异味；霉菌；病毒等无法生长，并且为产品的循环清洁提供了极大的便利，使产品更易清洁及保养。

#### • Microban 抗菌成分可抑制哪些类型的细菌?

Microban 抑菌因子能有效地抑制各类常见细菌的滋生，如：细菌；霉菌；真菌形成的污渍；霉菌形成的恶性气味和破坏性霉菌等。除此以外，Microban 抗菌科技并不仅仅是为用户提供抗菌功能而以。

#### • 我如何得知带有 Microban 抑菌成分的产品是否安全?

Microban 抗菌技术通过多次大型独立试验，以证实了该产品的安全性，并以在环境保护部门注册成功。迄今为止已被世界多个领先领域广泛使用。

#### • 是否意味着我不再去对产品做过多的保养和清洁?

不是。虽然 Microban 抑菌因子可抑制细菌的滋生，使产品清理起来更为便捷，并为循环清理提供了极大的便利，但还是应该像往常一样去保养和清理。

#### • Microban 抑菌成分是否会立即生效?

Microban 抑菌因子会在有细菌入侵或霉菌滋生时立刻起到持续抗菌效果。没有使用 Microban 抗菌技术的产品，每20分钟细菌滋生的速度和数量为使用了 Microban 抗菌技术产品的2倍之多。Microban 抑菌成分并非消毒剂，不能替代常规的清洁保养。

#### • Microban 抑菌因子的抑菌效果可持续多久?

在生产过程中Microban抑菌成分被作为添加剂一样添加在了产品里，因此不会产生损耗，也无法清洗掉，所以它的抑菌效果终生有效。



# AVAILABLE KEYING

## 各种类型的锁系统



**KEYED DIFFERENT / 不同类型的钥匙**  
 A SYSTEM WHERE EACH LOCK HAS A DIFFERENT NUMBER AND THE USER MUST USE A KEY WITH THE NUMBER THAT MATCHES THE LOCK NUMBER TO OPEN IT. 一把锁配备了不同的数字和用户必须使用与锁头数字相符的钥匙才能打开系统。

SUITABLE FOR USE IN PERSONAL SETTINGS  
 适用于私人设置

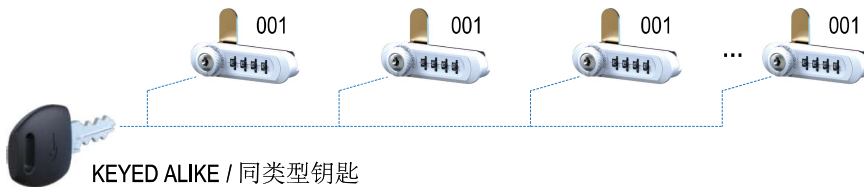


KEYED DIFFERENT / 不同类型的钥匙



**KEYED ALIKE / 同类型钥匙**  
 A SYSTEM WHERE ALL THE LOCKS HAVE THE SAME NUMBER, ONE KEY CAN OPEN ALL THE LOCKS. 所有的锁拥有相同的数字，一把钥匙可打开所有的锁。

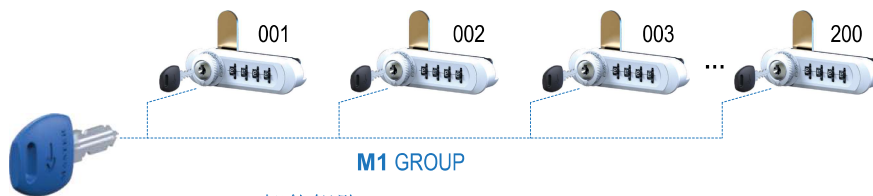
SUITABLE FOR USE IN PUBLIC SETTINGS  
 适用于公用设置



KEYED ALIKE / 同类型钥匙



**MASTER KEYED / 智能钥匙**  
 THIS SYSTEM BUILDS ON TOP OF THE KEYED DIFFERENT SYSTEM. IT ADDS THE ABILITY TO HAVE A "MASTER KEY" TO OPEN ALL THE LOCKS BELONGING IN THE SAME MASTER KEYED GROUP. (MASTER KEY IS SOLD SEPARATELY) 与不同的锁用不同的钥匙开启一样，每个锁都有指定型号且各不相同，开锁时钥匙和锁的型号必须相符，不可交替使用。但有特别的钥匙“智能钥匙”可开启同一组中的所有锁。(智能钥匙需另外购买)



MASTER KEYED / 智能钥匙

COMBI



PERSONAL 私人

PUBLIC 公用



### KEYED DIFFERENT / 不同类型的钥匙

- 200 DIFFERENT KEY CHANGES FOR SERVICE CYLINDERS  
 有200位数字密码可随意更改
- 10 GROUPS OF MASTER KEY SYSTEM AVAILABLE  
 10 组主密匙

### KEYED ALIKE / 同类型钥匙

- CHOOSE FROM THE FOLLOWING 200 KEY CHANGES FOR SERVICE CYLINDERS  
 有200款不同型号的锁可供选择

001	002	003	004	005	006	007	008	009	010	011	012	013	014	015	016	017	018	019	020
021	022	023	024	025	026	027	028	029	030	031	032	033	034	035	036	037	038	039	040
041	042	043	044	045	046	047	048	049	050	051	052	053	054	055	056	057	058	059	060
061	062	063	064	065	066	067	068	069	070	071	072	073	074	075	076	077	078	079	080
081	082	083	084	085	086	087	088	089	090	091	092	093	094	095	096	097	098	099	100
101	102	103	104	105	106	107	108	109	110	111	112	113	114	115	116	117	118	119	120
121	122	123	124	125	126	127	128	129	130	131	132	133	134	135	136	137	138	139	140
141	142	143	144	145	146	147	148	149	150	151	152	153	154	155	156	157	158	159	160
161	162	163	164	165	166	167	168	169	170	171	172	173	174	175	176	177	178	179	180
181	182	183	184	185	186	187	188	189	190	191	192	193	194	195	196	197	198	199	200





# Digit

## COMBINATION LOCKS

### 4位数密码锁

PATENTED, REGISTERED TRADEMARK  
专利和商标受相关法律保护

ENTERING THE KEYLESS ACCESS ERA, A COMBINATION IS ALL YOU NEED FOR EASY ACCESS. FORGET THE OLD-FASHIONED WAY!

#### HERE'S WHY MANY OF OUR CLIENTS HAVE SWITCHED TO OUR 4 DIGIT COMBINATION LOCKS:

1. 2-IN-1 SYSTEM, ONE SMART LOCK THAT FEATURES PERSONAL & PUBLIC FUNCTIONS.
2. ONE UNIVERSAL LOCK FOR WOODEN, METAL AND GLASS FURNITURE.
3. CODE SETTING WITHOUT TOOLS.
4. CODE FINDING FROM THE FRONT BY RECOVERY KEY.
5. 200 DIFFERENT KEY CHANGES FOR SERVICE CYLINDERS (10 GROUPS OF MASTER KEYS SYSTEM AVAILABLE).
6. EASY INSTALLATION WITH QUICK-FIX SYSTEM.
7. ANTI-BACTERIAL PLASTIC KEY CAP WITH MICROBAN® TECHNOLOGY INHIBITS BACTERIAL GROWTH BY 99%.

进入无钥匙时代，一组数字密码即可简单上锁及解锁  
请忘掉传统的开锁方式

#### 为什么我们的客户要选择4位数的密码锁？

1. 突出私用和公用功能的二合一功能系统的智能锁
2. 可锁木质，金属及玻璃家具的万能适用锁
3. 设置新密码无需使用工具
4. 恢复密匙参考前面的代码
5. 有200款不同型号的锁可供选择（10组主密匙系统）
6. 安装便捷
7. 使用MICROBAN抗菌技术，99%抑制细菌滋生

#### CAUTION / 警告

1. USE OF ADHESIVES, CHEMICALS AND SOLVENTS ON THE LOCK MAY CAUSE FAILURE TO THE LOCK MECHANISM.  
在锁上使用粘合剂和化学溶剂可能导致锁损坏
2. AVOID CLEANING THE LOCK WITH CHEMICALS WHICH ARE CORROSIVE AND DESTRUCTIVE TO THE SURFACE.  
避免使用有腐蚀性和破坏性的化学品来清洁锁的表面



FOR METAL CABINET  
铁皮柜专用

PAGE 1  
第1页

FOR WOODEN CABINET  
木材柜专用

PAGE 16  
第16页

FOR GLASS DOOR CABINET  
AND WOOD THICKNESS OF 4-12mm  
玻璃柜专用  
适用于柜门和4-12毫米厚的木板

PAGE 35  
第35页

5-IN-1 CYLINDER SERIES SYSTEM  
COMBINATION LOCKS  
5合1缸系列系统密码锁

PAGE 41  
第41页

OPERATING INSTRUCTIONS  
操作指令

PAGE 51  
第51页

PADLOCK (3 DIGIT)  
挂锁 (3位)

PAGE 58  
第58页



THE COLORS ON CATALOG ARE FOR GUIDANCE ONLY,  
ACTUAL PRODUCT COLORS MAY DIFFER.  
目录上的颜色仅供参考，实际颜色以实物为准

COMBI



PERSONAL 私人



PUBLIC 公用



FOR  
METAL

CABINET

铁皮柜专用



快速安装

2-IN-1  
SYSTEM  
2合1系统



COMBINATION LOCKS

4位数密码锁





**VS** VERSION / 款式

**L** LEFT / 左

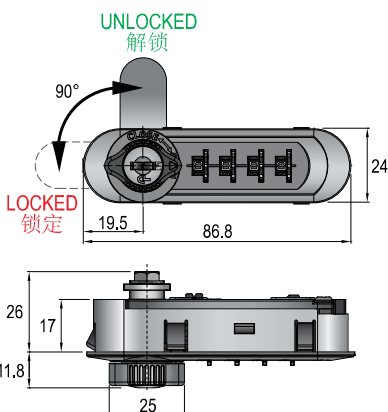


• 821-L-C01  
• 822-L-C01

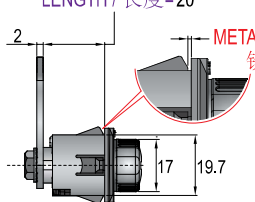
**R** RIGHT / 右



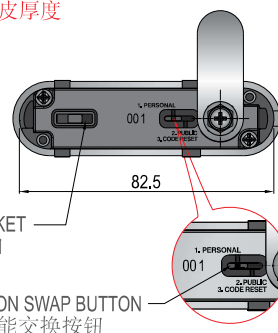
• 821-R-C01  
• 822-R-C01



LENGTH / 长度 = 20



UP TO 高达 **9,999** COMBINATIONS 密码组合



**SPECIFICATIONS / 产品说明**

- KEYLESS OPERATION  
不需要钥匙来锁定和解锁
- 2-IN-1 SYSTEM, ONE SMART LOCK THAT FEATURES PERSONAL & PUBLIC FUNCTIONS  
突出私用和公用功能的二合一系统智能锁
- CODE SETTING WITHOUT TOOLS  
设置新密码不需要工具
- CODE FINDING FROM THE FRONT BY RECOVERY KEY  
恢复密码参考前面的代码
- PLASTIC HOUSING  
塑胶外壳
- 200 DIFFERENT KEY CHANGES FOR SERVICE CYLINDERS  
有200位数密码可随意更改
- 10 GROUPS OF MASTER KEYS SYSTEM AVAILABLE  
10组主密匙

**A SET INCLUDES / 配套工具**

- 1 LOCK / 1 把锁
- 1 RECOVERY TOOL (FOR COMBI-PERSONAL ONLY)  
1 个密码恢复工具 (只针对私用)
- 1 RECOVERY KEY (FOR KEYED DIFFERENT ONLY, NOT SUPPLIED WITH KEYED ALIKE)  
1 份恢复密匙 (仅供不同锁使用, 不能共用)

**FN FINISH / 颜色**

- 66 WHITE / 白色
- 91 BLACK / 黑色

**PRODUCT CODE / 产品代码**

821-M\_\_-VS-TN-FN-C\_\_-TD

822-M\_\_-VS-TN-FN-C\_\_-TD

**ORDERING EXAMPLE & EXPLANATION**

**样品和说明**

• 822-M1-R-A-91-C01-J9Z  
COMBI-PUBLIC, GROUP 1 MASTER KEY SYSTEM, RIGHT VERSION, 0.6-1mm METAL THICKNESS, BLACK FINISH, C01 CAM TYPE, 90° CLOCKWISE ROTARY CAM MOVEMENT.  
公用-密码锁, 1组主密匙系统, 右款, 0.6-1毫米金属厚度, 黑色, C01款锁门, 90° 顺时针旋转锁的把手.

**NOTE / 备注**

\* METAL THICKNESS AFTER PAINTING MUST BE 0.6-1mm.  
铁皮喷漆后的厚度需为0.6-1毫米

**KNOB OPTIONS / 把手选项**

- R315



- R438



NEW & IMPROVED DESIGN  
全新的设计理念

**TN METAL THICKNESS / 铁皮厚度**

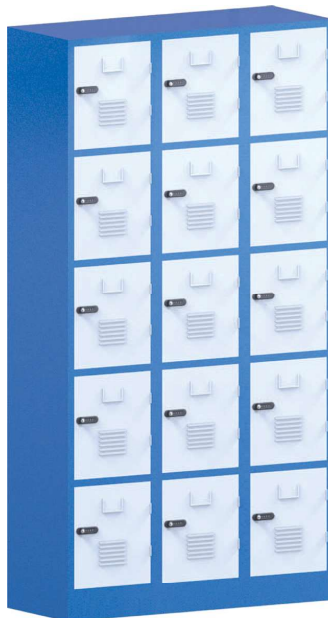
CODE / 代码	METAL THICKNESS / 铁皮厚度
A	0.6-1mm

**TD TURNING DIRECTION / 钥匙旋转方向**

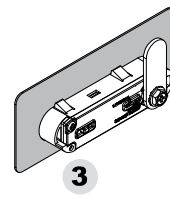
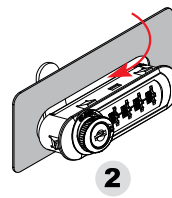
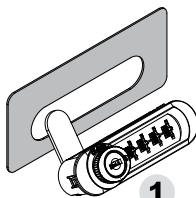
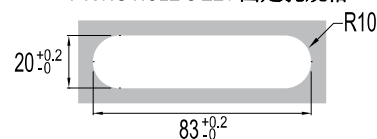
K3Z LEFT VERSION 左款	J9Z RIGHT VERSION 右款
KZ9 LEFT VERSION 左款	JZ3 RIGHT VERSION 右款
K63 LEFT VERSION 左款	J69 RIGHT VERSION 右款



**FIXING DETAILS / 安装细节**



**FIXING HOLE SIZE / 固定孔规格**



ALL MEASUREMENTS : mm / 测量单位为毫米

# FOR METAL CABINET

铁皮柜专用

## FILING CABINET LOCK / 文件柜锁

PERSONAL / 私人 NO. **821-D033**

PUBLIC / 公用 NO. **822-D033**

**VS** VERSION / 款式

**L** LEFT / 左



■ **821-L-D033**

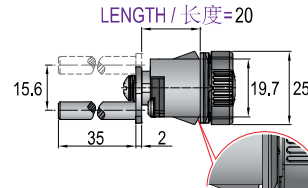
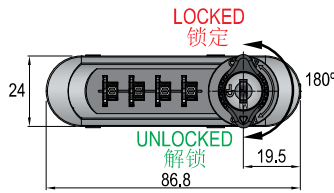
■ **822-L-D033**

**R** RIGHT / 右



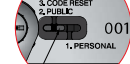
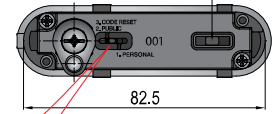
■ **821-R-D033**

■ **822-R-D033**

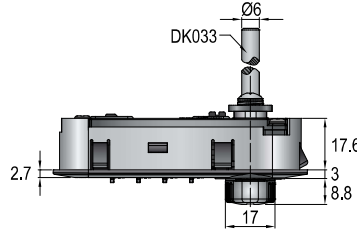


UP TO 高达 **9,999** COMBINATIONS 密码组合

RECOVERY TOOL SOCKET 密码恢复工具插口



FUNCTION SWAP BUTTON 功能交换按钮



### SPECIFICATIONS / 产品说明

- KEYLESS OPERATION 不需要钥匙来锁定和解锁
- 2-IN-1 SYSTEM, ONE SMART LOCK THAT FEATURES PERSONAL & PUBLIC FUNCTIONS 突出私用和公用功能的二合一系统智能锁
- CODE SETTING WITHOUT TOOLS 设置新密码不需要工具
- CODE FINDING FROM THE FRONT BY RECOVERY KEY 恢复密码参考前面的代码
- PLASTIC HOUSING 塑胶外壳
- 200 DIFFERENT KEY CHANGES FOR SERVICE CYLINDERS 有200位数字密码可随意更改
- 10 GROUPS OF MASTER KEYS SYSTEM AVAILABLE 10组主密匙

### A SET INCLUDES / 配套工具

- 1 LOCK / 1 把锁
- 1 RECOVERY TOOL (FOR COMBI-PERSONAL ONLY) 1 个密码恢复工具 (只针对私用)
- 1 RECOVERY KEY (FOR KEYED DIFFERENT ONLY, NOT SUPPLIED WITH KEYED ALIKE) 1 份恢复密匙 (仅供不同锁使用, 不能共用)

### FN FINISH / 颜色

- 66 WHITE / 白色
- 91 BLACK / 黑色

### PRODUCT CODE / 产品代码

**821-M**\_\_-**VS**-**TN**-**FN**-**D033**-**TD**

**822-M**\_\_-**VS**-**TN**-**FN**-**D033**-**TD**

### ORDERING EXAMPLE & EXPLANATION

#### 样品和说明

■ 821-M1-R-A-91-D033-JZ6

COMBI-PERSONAL, GROUP 1 MASTER KEY SYSTEM, RIGHT VERSION, 0.6-1mm METAL THICKNESS, BLACK FINISH, D033 LOCKING PIN TYPE, 180° CLOCKWISE ROTARY MOVEMENT. 私用-密码锁, 1组主密匙系统, 右款, 0.6-1毫米金属厚度, 黑色, D033款锁门, 180° 顺时针旋转.

### NOTE / 备注

\* METAL THICKNESS AFTER PAINTING MUST BE 0.6-1mm. 铁皮喷漆后的厚度需为0.6-1毫米

### KNOB OPTIONS / 把手选项

- R315



- R438



NEW & IMPROVED DESIGN 全新的设计理念

### TN METAL THICKNESS / 铁皮厚度

CODE / 代码	METAL THICKNESS / 铁皮厚度
<b>A</b>	0.6-1mm

### TD TURNING DIRECTION / 钥匙旋转方向

**KZ6** LEFT VERSION 左款 | **JZ6** RIGHT VERSION 右款



FROM LOCK TO UNLOCK POSITION 从关到开的位置

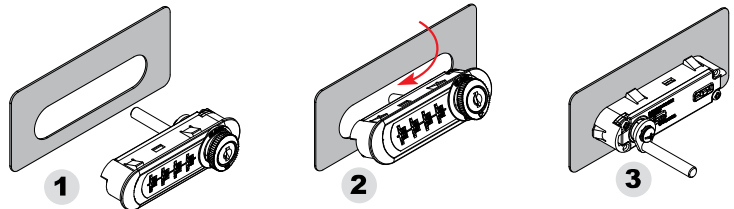
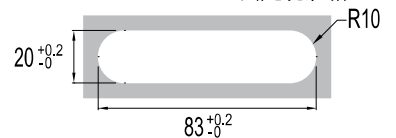
J: CLOCKWISE / 顺时针方向

K: COUNTER-CLOCKWISE / 逆时针方向

### FIXING DETAILS / 安装细节



### FIXING HOLE SIZE / 固定孔规格



ALL MEASUREMENTS : mm / 测量单位为毫米



# FOR METAL CABINET

铁皮柜专用

SWING DOOR CABINET LOCK / 合叶式门锁  
(TWO-POINT LOCKING) / (2点锁)

PERSONAL / 私有 NO. **821-C77**

PUBLIC / 公用 NO. **822-C77**

**VS** VERSION / 款式

**VL** LEFT / 左

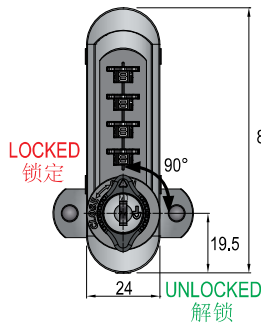


■ **821-VL-C77**  
■ **822-VL-C77**

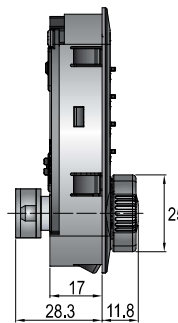
**VR** RIGHT / 右



■ **821-VR-C77**  
■ **822-VR-C77**

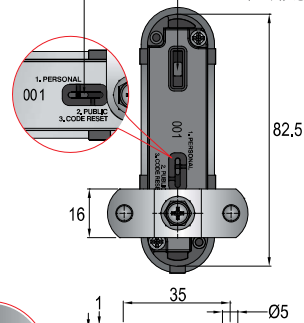


FUNCTION SWAP BUTTON  
功能交换按钮



UP TO 高达 **9,999** COMBINATIONS  
密码组合

RECOVERY TOOL SOCKET  
密码恢复工具插口



LENGTH / 长度=20

## SPECIFICATIONS / 产品说明

- KEYLESS OPERATION  
不需要钥匙来锁定和解锁
- 2-IN-1 SYSTEM, ONE SMART LOCK THAT FEATURES PERSONAL & PUBLIC FUNCTIONS  
突出私有和公用功能的二合一系统智能锁
- CODE SETTING WITHOUT TOOLS  
设置新密码不需要工具
- CODE FINDING FROM THE FRONT BY RECOVERY KEY  
恢复密码参考前面的代码
- PLASTIC HOUSING  
塑胶外壳
- 200 DIFFERENT KEY CHANGES FOR SERVICE CYLINDERS  
有200位数密码可随意更改
- 10 GROUPS OF MASTER KEYS SYSTEM AVAILABLE  
10组主密匙

## A SET INCLUDES / 配套工具

- 1 LOCK / 1 把锁
- 1 RECOVERY TOOL (FOR COMBI-PERSONAL ONLY)  
1 个密码恢复工具 (只针对私有)
- 1 RECOVERY KEY (FOR KEYED DIFFERENT ONLY, NOT SUPPLIED WITH KEYED ALIKE)  
1 份恢复密匙 (仅供不同锁使用, 不能共用)

## FN FINISH / 颜色

- 66 WHITE / 白色
- 91 BLACK / 黑色

## PRODUCT CODE / 产品代码

**821-M** \_\_ **VS** **TN** **FN** **-C77** **TD**

**822-M** \_\_ **VS** **TN** **FN** **-C77** **TD**

## ORDERING EXAMPLE & EXPLANATION

### 样品和说明

■ **822-M1-VR-A-91-C77-JZ3**

COMBI-PUBLIC, GROUP 1 MASTER KEY SYSTEM, RIGHT VERSION, 0.6-1mm METAL THICKNESS, BLACK FINISH, C77 CAM TYPE, 90° CLOCKWISE ROTARY CAM MOVEMENT.  
公用-密码锁, 1组主密钥系统, 右款, 0.6-1毫米金属厚度, 黑色, C77款锁门, 90° 顺时针旋转锁的把手。

## NOTE / 备注

\* METAL THICKNESS AFTER PAINTING MUST BE 0.6-1mm.  
铁皮喷漆后的厚度需为0.6-1毫米

## KNOB OPTIONS / 把手选项

- R315



- R438



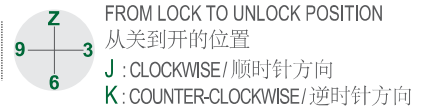
NEW & IMPROVED DESIGN  
全新的设计理念

## TN METAL THICKNESS / 铁皮厚度

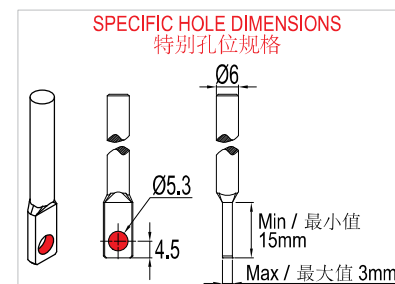
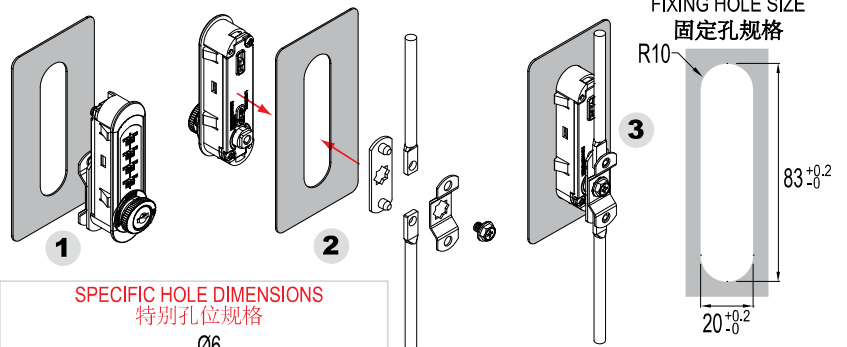
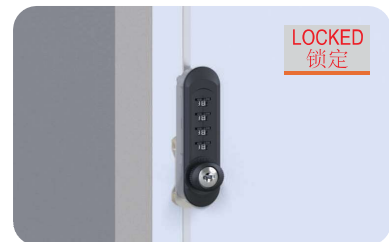
CODE / 代码	METAL THICKNESS / 铁皮厚度
<b>A</b>	0.6-1mm

## TD TURNING DIRECTION / 钥匙旋转方向

**KZ9** LEFT VERSION / 左款 | **JZ3** RIGHT VERSION / 右款



## FIXING DETAILS / 安装细节



ALL MEASUREMENTS : mm / 测量单位为毫米

# FOR METAL CABINET

铁皮柜专用

SWING DOOR CABINET LOCK / 合叶式门锁  
(THREE-POINT LOCKING) / (3 点锁)

PERSONAL / 私有 NO. **821-C143**

PUBLIC / 公用 NO. **822-C143**

**VS** VERSION / 款式

**VL** LEFT / 左



■ **821-VL-C143**  
■ **822-VL-C143**

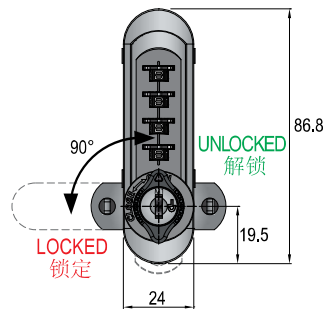
**VR** RIGHT / 右



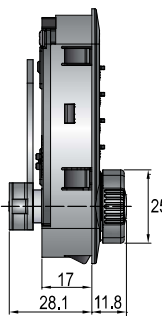
■ **821-VR-C143**  
■ **822-VR-C143**



快速安装

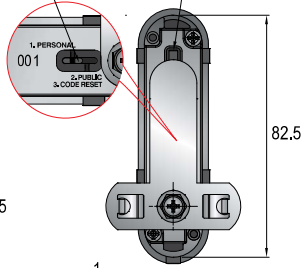


FUNCTION SWAP BUTTON  
功能交换按钮



UP TO 高达 **9,999** COMBINATIONS  
密码组合

RECOVERY TOOL SOCKET  
密码恢复工具插口



METAL THICKNESS \*  
铁皮厚度

LENGTH / 长度=20

## SPECIFICATIONS / 产品说明

- KEYLESS OPERATION  
不需要钥匙来锁定和解锁
- 2-IN-1 SYSTEM, ONE SMART LOCK THAT FEATURES PERSONAL & PUBLIC FUNCTIONS  
突出私用和公用功能的二合一系统智能锁
- CODE SETTING WITHOUT TOOLS  
设置新密码不需要工具
- CODE FINDING FROM THE FRONT BY RECOVERY KEY  
恢复密码参考前面的代码
- PLASTIC HOUSING  
塑胶外壳
- 200 DIFFERENT KEY CHANGES FOR SERVICE CYLINDERS  
有200位数密码可随意更改
- 10 GROUPS OF MASTER KEYS SYSTEM AVAILABLE  
10 组主密匙

## A SET INCLUDES / 配套工具

- 1 LOCK / 1 把锁
- 1 RECOVERY TOOL (FOR COMBI-PERSONAL ONLY)  
1 个密码恢复工具 (只针对私用)
- 1 RECOVERY KEY (FOR KEYED DIFFERENT ONLY, NOT SUPPLIED WITH KEYED ALIKE)  
1 份恢复密匙 (仅供不同锁使用, 不能共用)

## FN FINISH / 颜色

- 66 WHITE / 白色
- 91 BLACK / 黑色

## PRODUCT CODE / 产品代码

**821-M**\_\_-**VS**-**TN**-**FN**-**C143**-**TD**

**822-M**\_\_-**VS**-**TN**-**FN**-**C143**-**TD**

## ORDERING EXAMPLE & EXPLANATION

### 样品和说明

■ **821-M1-VR-A-91-C143-J9Z**

COMBI-PERSONAL, GROUP 1 MASTER KEY SYSTEM, RIGHT VERSION, 0.6-1mm METAL THICKNESS, BLACK FINISH, C143 CAM TYPE, 90° CLOCKWISE ROTARY CAM MOVEMENT.  
私用-密码锁, 1组主密钥系统, 右款, 0.6-1毫米金属厚度, 黑色, C143款锁门, 90° 顺时针旋转锁的把手.

### NOTE / 备注

\* METAL THICKNESS AFTER PAINTING MUST BE 0.6-1mm  
铁皮喷漆后的厚度需为0.6-1毫米

## KNOB OPTIONS / 把手选项

- R315



- R438



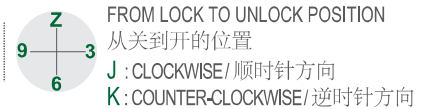
NEW & IMPROVED DESIGN  
全新的设计理念

## TN METAL THICKNESS / 铁皮厚度

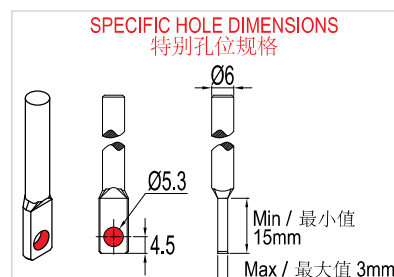
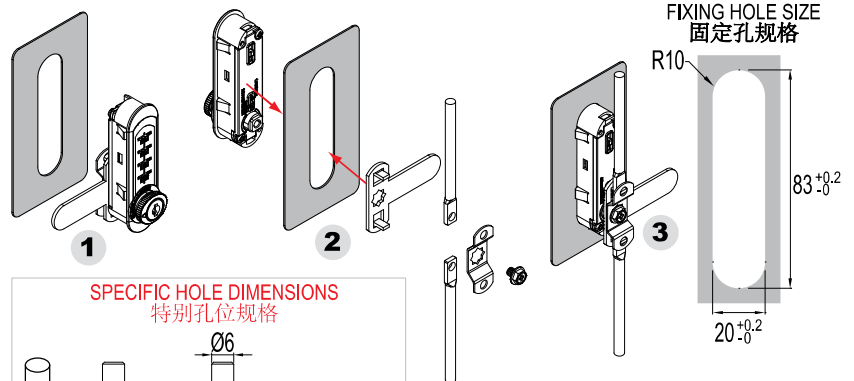
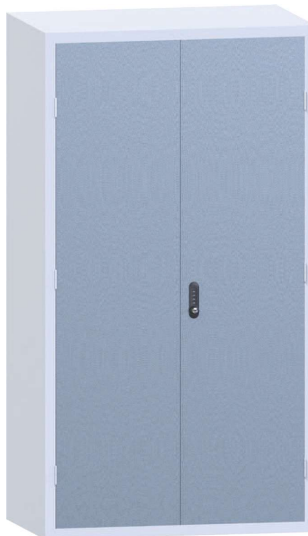
CODE / 代码	METAL THICKNESS / 铁皮厚度
<b>A</b>	0.6-1mm

## TD TURNING DIRECTION / 钥匙旋转方向

**K3Z** LEFT VERSION / 左款  
**J9Z** RIGHT VERSION / 右款



## FIXING DETAILS / 安装细节



ALL MEASUREMENTS : mm / 测量单位为毫米



# FOR METAL CABINET

铁柜专用

## LOCKER LOCK / 储物柜锁

PERSONAL / 私人 NO. **821Z-C01**

PUBLIC / 公用 NO. **822Z-C01**

**VS** VERSION / 款式

**L** LEFT / 左

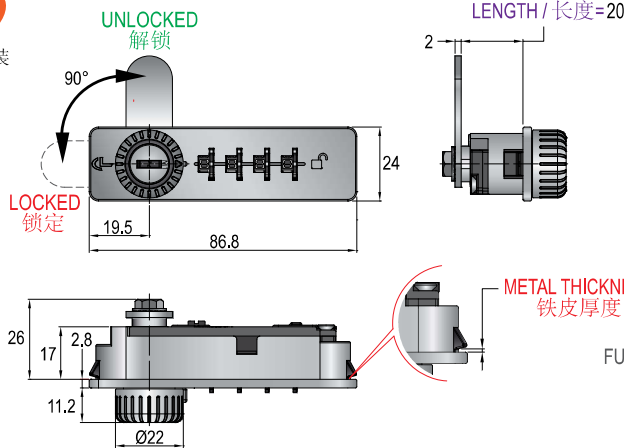


■ **821Z-L-C01**  
■ **822Z-L-C01**

**R** RIGHT / 右

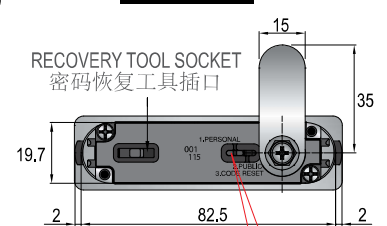


■ **821Z-R-C01**  
■ **822Z-R-C01**



UP TO 高达 **9,999** COMBINATIONS 密码组合

RECOVERY TOOL SOCKET 密码恢复工具插口



METAL THICKNESS \* 铁皮厚度  
FUNCTION SWAP BUTTON 功能交换按钮

### SPECIFICATIONS / 产品说明

- KEYLESS OPERATION  
不需要钥匙来锁定和解锁
- 2-IN-1 SYSTEM, ONE SMART LOCK THAT FEATURES PERSONAL & PUBLIC FUNCTIONS  
突出私用和公用功能的二合一系统智能锁
- CODE SETTING WITHOUT TOOLS  
设置新密码不需要工具
- CODE FINDING FROM THE FRONT BY RECOVERY KEY  
恢复密码参考前面的代码
- ZINC ALLOY DIE CAST HOUSING  
锌合金外壳
- HANDLE KNOB OFFERS DISTINCTIVE FEEL WHILE TURNING  
旋转把手时有种特别的质感
- 200 DIFFERENT KEY CHANGES FOR SERVICE CYLINDERS  
有200位数字密码可随意更改
- 10 GROUPS OF MASTER KEYS SYSTEM AVAILABLE  
10组主密匙

### A SET INCLUDES / 配套工具

- 1 LOCK / 1 把锁
- 1 RECOVERY TOOL (FOR COMBI-PERSONAL ONLY)  
1 个密码恢复工具 (只针对私用)
- 1 RECOVERY KEY (FOR KEYED DIFFERENT ONLY, NOT SUPPLIED WITH KEYED ALIKE)  
1 份恢复密匙 (仅供不同锁使用, 不能共用)

### FN FINISH / 颜色

- 01K NICKEL / 镍色\*\*
- 04A BLACK (MATT) / 黑色 (表面)
- 14 WHITE / 白色
- 27 SATIN-NICKEL / 磨砂镍黄色
- 28 SATIN-CHROME / 磨砂铬黄色

### PRODUCT CODE / 产品代码

**821Z-M**\_\_VS\_\_TN\_\_FN\_\_C\_\_TD

**822Z-M**\_\_VS\_\_TN\_\_FN\_\_C\_\_TD

### ORDERING EXAMPLE & EXPLANATION

#### 样品和说明

■ **821Z-M1-R-A-04A-C01-J9Z**

COMBI-PERSONAL, GROUP 1 MASTER KEY SYSTEM, RIGHT VERSION, 0.6-1mm METAL THICKNESS, BLACK (MATT) FINISH, C01 CAM TYPE, 90° CLOCKWISE ROTARY CAM MOVEMENT.

私用-密码锁, 1组主密匙系统, 右款, 0.6-1毫米金属厚度, 黑色(表面), C01款锁闭, 90°顺时针旋转锁的把手。

### NOTE / 备注

- \* METAL THICKNESS AFTER PAINTING MUST BE 0.6-1mm.  
铁皮喷漆后的厚度需为0.6-1毫米
- \*\* FOR PRODUCT WITH NICKEL FINISH (01K), THE LOCK WILL COME WITH NICKEL HOUSING AND SATIN-CHROME HANDLE.  
产品用镍材质 (01K), 锁外壳和镀铬把手

### TN METAL THICKNESS / 铁皮厚度

CODE / 代码	METAL THICKNESS / 铁皮厚度
A	0.6-1mm

### TD TURNING DIRECTION / 钥匙旋转方向

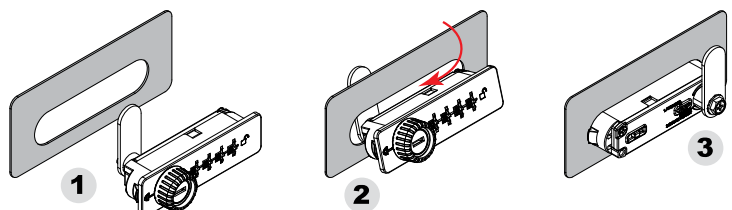
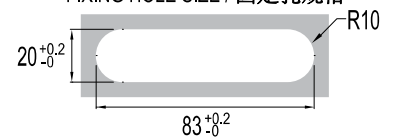
<b>K3Z</b> LEFT VERSION 左款	<b>J9Z</b> RIGHT VERSION 右款
<b>KZ9</b> LEFT VERSION 左款	<b>JZ3</b> RIGHT VERSION 右款
<b>K63</b> LEFT VERSION 左款	<b>J69</b> RIGHT VERSION 右款

FROM LOCK TO UNLOCK POSITION  
从关到开的位置  
J: CLOCKWISE / 顺时针方向  
K: COUNTER-CLOCKWISE / 逆时针方向

### FIXING DETAILS / 安装细节



FIXING HOLE SIZE / 固定孔规格



ALL MEASUREMENTS : mm / 测量单位为毫米

VS VERSION / 款式

L LEFT / 左

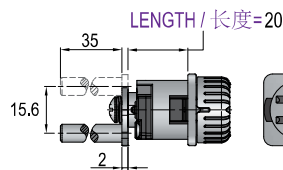
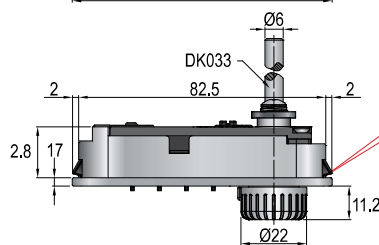
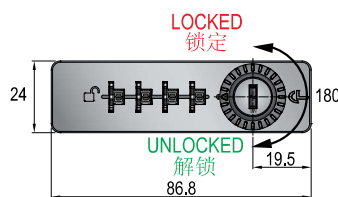


■ **821Z-L-D033**  
■ **822Z-L-D033**

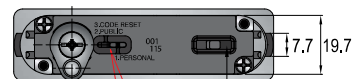
R RIGHT / 右



■ **821Z-R-D033**  
■ **822Z-R-D033**



UP TO 高达 **9,999** COMBINATIONS 密码组合



FUNCTION SWAP BUTTON  
功能交换按钮

RECOVERY TOOL SOCKET  
密码恢复工具插口

METAL THICKNESS\*  
铁皮厚度

SPECIFICATIONS / 产品说明

- KEYLESS OPERATION  
不需要钥匙来锁定和解锁
- 2-IN-1 SYSTEM, ONE SMART LOCK THAT FEATURES PERSONAL & PUBLIC FUNCTIONS  
突出私用和公用功能的二合一系统智能锁
- CODE SETTING WITHOUT TOOLS  
设置新密码不需要工具
- CODE FINDING FROM THE FRONT BY RECOVERY KEY  
恢复密码参考前面的代码
- ZINC ALLOY DIE CAST HOUSING  
锌合金外壳
- HANDLE KNOB OFFERS DISTINCTIVE FEEL WHILE TURNING  
旋转把手时有种特别的质感
- 200 DIFFERENT KEY CHANGES FOR SERVICE CYLINDERS  
有200位数密码可随意更改
- 10 GROUPS OF MASTER KEYS SYSTEM AVAILABLE  
10组主密匙

A SET INCLUDES / 配套工具

- 1 LOCK / 1 把锁
- 1 RECOVERY TOOL (FOR COMBI-PERSONAL ONLY)  
1 个密码恢复工具 (只针对私用)
- 1 RECOVERY KEY (FOR KEYED DIFFERENT ONLY, NOT SUPPLIED WITH KEYED ALIKE)  
1 份恢复密匙 (仅供不同锁使用, 不能共用)

FN FINISH / 颜色

- 01K NICKEL / 镍色\*\*
- 04A BLACK (MATT) / 黑色 (表面)
- 14 WHITE / 白色
- 27 SATIN-NICKEL / 磨砂镍黄色
- 28 SATIN-CHROME / 磨砂铬黄色

PRODUCT CODE / 产品代码

**821Z-M\_\_-VS-TN-FN-D033-TD**

**822Z-M\_\_-VS-TN-FN-D033-TD**

ORDERING EXAMPLE & EXPLANATION

样品和说明

■ 821Z-M1-R-A-04A-D033-JZ6

COMBI-PERSONAL, GROUP 1 MASTER KEY SYSTEM, RIGHT VERSION, 0.6-1mm METAL THICKNESS, BLACK (MATT) FINISH, D033 LOCKING PIN TYPE, 180° CLOCKWISE ROTARY MOVEMENT.

私用-密码锁, 1组主密钥系统, 右款, 0.6-1毫米金属厚度, 黑色(表面), D033款锁门, 180° 顺时针旋转.

NOTE / 备注

- \* METAL THICKNESS AFTER PAINTING MUST BE 0.6-1mm.  
铁皮喷漆后的厚度需为0.6-1毫米
- \*\* FOR PRODUCT WITH NICKEL FINISH (01K), THE LOCK WILL COME WITH NICKEL HOUSING AND SATIN-CHROME HANDLE.  
产品用镍材质 (01K), 镍外壳和镀铬把手

TN METAL THICKNESS / 铁皮厚度

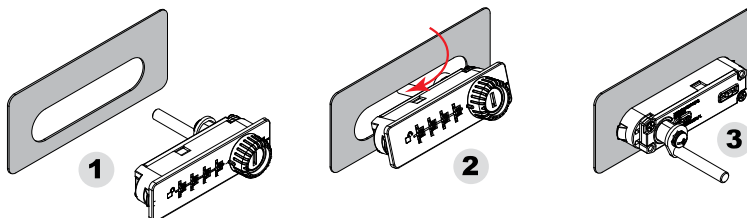
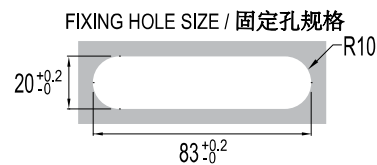
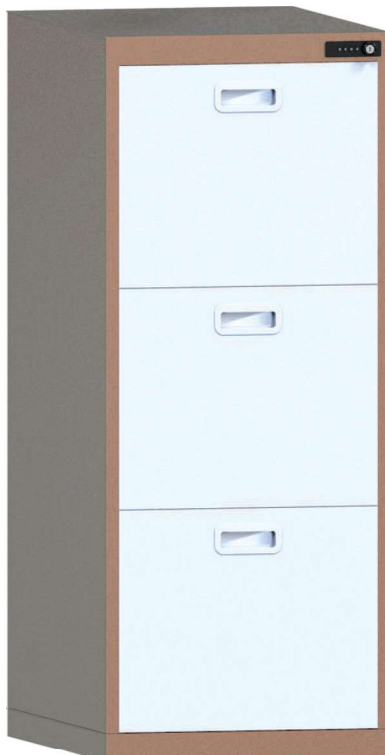
CODE / 代码	METAL THICKNESS / 铁皮厚度
A	0.6-1mm

TD TURNING DIRECTION / 钥匙旋转方向

KZ6 LEFT VERSION 左款 | JZ6 RIGHT VERSION 右款



FIXING DETAILS / 安装细节



ALL MEASUREMENTS : mm / 测量单位为毫米



# FOR METAL CABINET

铁皮柜专用

SWING DOOR CABINET LOCK / 合叶式门锁  
(TWO-POINT LOCKING) / (2点锁)

PERSONAL / 私有 NO. **821Z-C77**

PUBLIC / 公用 NO. **822Z-C77**

**VS** VERSION / 款式

**VL** LEFT / 左



■ **821Z-VL-C77**  
■ **822Z-VL-C77**

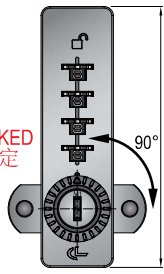
**VR** RIGHT / 右



■ **821Z-VR-C77**  
■ **822Z-VR-C77**

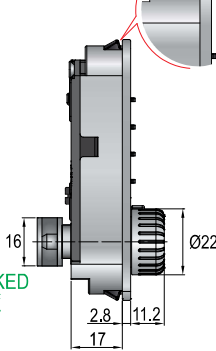


**LOCKED**  
锁定



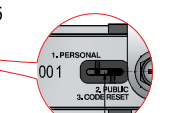
**UNLOCKED**  
解锁

**METAL THICKNESS\***  
铁皮厚度



UP TO 高达 **9,999** COMBINATIONS  
密码组合

RECOVERY TOOL SOCKET  
密码恢复工具插口



FUNCTION SWAP BUTTON  
功能交换按钮

LENGTH / 长度=20

## SPECIFICATIONS / 产品说明

- KEYLESS OPERATION  
不需要钥匙来锁定和解锁
- 2-IN-1 SYSTEM, ONE SMART LOCK THAT FEATURES PERSONAL & PUBLIC FUNCTIONS  
突出私有和公用功能的二合一系统智能锁
- CODE SETTING WITHOUT TOOLS  
设置新密码不需要工具
- CODE FINDING FROM THE FRONT BY RECOVERY KEY  
恢复密码参考前面的代码
- ZINC ALLOY DIE CAST HOUSING  
锌合金外壳
- HANDLE KNOB OFFERS DISTINCTIVE FEEL WHILE TURNING  
旋转把手时有种特别的质感
- 200 DIFFERENT KEY CHANGES FOR SERVICE CYLINDERS  
有200位数密码可随意更改
- 10 GROUPS OF MASTER KEYS SYSTEM AVAILABLE  
10组主密匙

## A SET INCLUDES / 配套工具

- 1 LOCK / 1 把锁
- 1 RECOVERY TOOL (FOR COMBI-PERSONAL ONLY)  
1 个密码恢复工具 (只针对私有)
- 1 RECOVERY KEY (FOR KEYED DIFFERENT ONLY, NOT SUPPLIED WITH KEYED ALIKE)  
1 份恢复密匙 (仅供不同锁使用, 不能共用)

## FN FINISH / 颜色

- 01K NICKEL / 镍色\*\*
- 04A BLACK (MATT) / 黑色 (表面)
- 14 WHITE / 白色
- 27 SATIN-NICKEL / 磨砂镍黄色
- 28 SATIN-CHROME / 磨砂铬黄色

## PRODUCT CODE / 产品代码

**821Z-M**\_\_-**VS**-**TN**-**FN**-**C77**-**TD**

**822Z-M**\_\_-**VS**-**TN**-**FN**-**C77**-**TD**

## ORDERING EXAMPLE & EXPLANATION

### 样品和说明

■ **822Z-M1-VR-A-04A-C77-JZ3**

COMBI-PUBLIC, GROUP 1 MASTER KEY SYSTEM, RIGHT VERSION, 0.6-1mm METAL THICKNESS, BLACK (MATT) FINISH, C77 CAM TYPE, 90° CLOCKWISE ROTARY CAM MOVEMENT.

公用-密码锁, 1组主密匙系统, 右款, 0.6-1毫米金属厚度, 黑色(表面), C77款锁门, 90° 顺时针旋转锁的把手.

## NOTE / 备注

- \* METAL THICKNESS AFTER PAINTING MUST BE 0.6-1mm.  
铁皮喷漆后的厚度需为0.6-1毫米
- \*\* FOR PRODUCT WITH NICKEL FINISH (01K), THE LOCK WILL COME WITH NICKEL HOUSING AND SATIN-CHROME HANDLE.  
产品用镍材质 (01K), 镍外壳和镀铬把手

## TN METAL THICKNESS / 铁皮厚度

CODE / 代码	METAL THICKNESS / 铁皮厚度
<b>A</b>	0.6-1mm

## TD TURNING DIRECTION / 钥匙旋转方向

**KZ9** LEFT VERSION 左款 | **JZ3** RIGHT VERSION 右款



FROM LOCK TO UNLOCK POSITION  
从关到开的位置

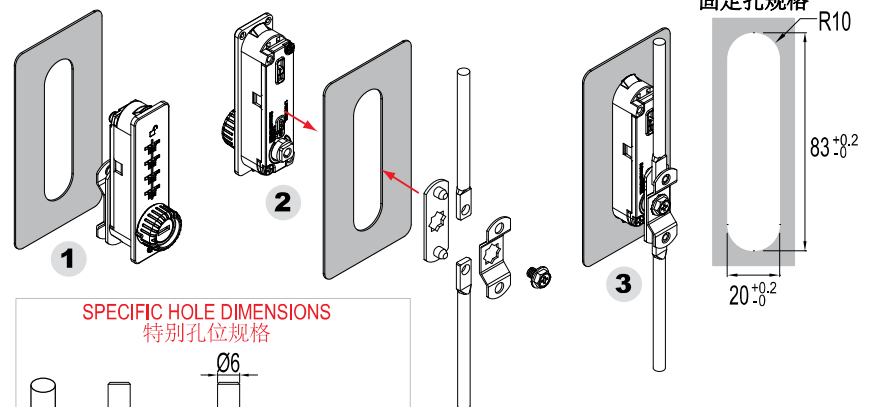
**J**: CLOCKWISE / 顺时针方向

**K**: COUNTER-CLOCKWISE / 逆时针方向

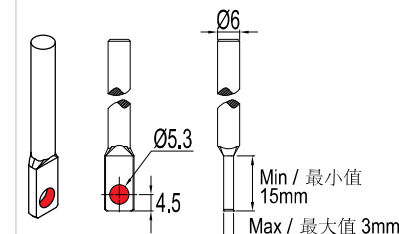
## FIXING DETAILS / 安装细节



FIXING HOLE SIZE  
固定孔规格



SPECIFIC HOLE DIMENSIONS  
特别孔位规格



ALL MEASUREMENTS : mm / 测量单位为毫米

# FOR METAL CABINET

铁皮柜专用

SWING DOOR CABINET LOCK / 合叶式门锁  
(THREE-POINT LOCKING) / (3点锁)

PERSONAL / 私有 NO. **821Z-C143**

PUBLIC / 公用 NO. **822Z-C143**

**VS** VERSION / 款式

**VL** LEFT / 左

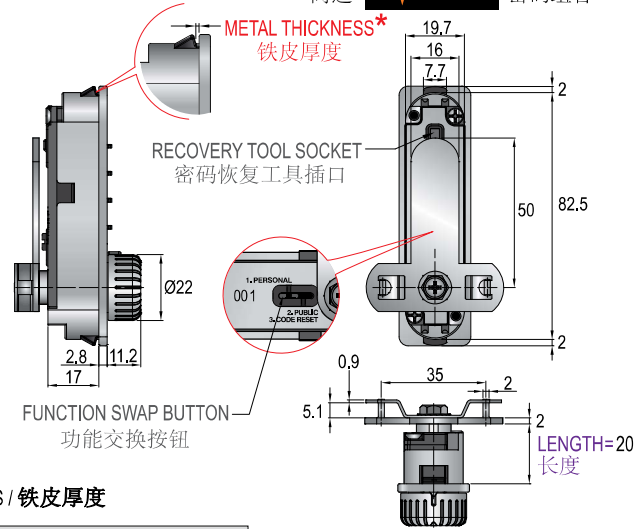
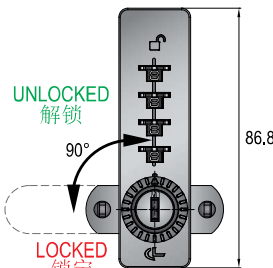
**VR** RIGHT / 右



■ **821Z-VL-C143**  
■ **822Z-VL-C143**

■ **821Z-VR-C143**  
■ **822Z-VR-C143**

**QUICK-FIX**  
快速安装



**SPECIFICATIONS / 产品说明**

- KEYLESS OPERATION  
不需要钥匙来锁定和解锁
- 2-IN-1 SYSTEM, ONE SMART LOCK THAT FEATURES PERSONAL & PUBLIC FUNCTIONS  
突出私有和公用功能的二合一系统智能锁
- CODE SETTING WITHOUT TOOLS  
设置新密码不需要工具
- CODE FINDING FROM THE FRONT BY RECOVERY KEY  
恢复密码参考前面的代码
- ZINC ALLOY DIE CAST HOUSING  
锌合金外壳
- HANDLE KNOB OFFERS DISTINCTIVE FEEL WHILE TURNING  
旋转把手时有种特别的质感
- 200 DIFFERENT KEY CHANGES FOR SERVICE CYLINDERS  
有200位数密码可随意更改
- 10 GROUPS OF MASTER KEYS SYSTEM AVAILABLE  
10组主钥匙

**A SET INCLUDES / 配套工具**

- 1 LOCK / 1 把锁
- 1 RECOVERY TOOL (FOR COMBI-PERSONAL ONLY)  
1 个密码恢复工具 (只针对私有)
- 1 RECOVERY KEY (FOR KEYED DIFFERENT ONLY, NOT SUPPLIED WITH KEYED ALIKE)  
1 份恢复密匙 (仅供不同锁使用, 不能共用)

**FN FINISH / 颜色**

- 01K NICKEL / 镍色\*\*
- 04A BLACK (MATT) / 黑色 (表面)
- 14 WHITE / 白色
- 27 SATIN-NICKEL / 磨砂镍黄色
- 28 SATIN-CHROME / 磨砂铬黄色

**PRODUCT CODE / 产品代码**

**821Z-M**\_\_-**VS**-**TN**-**FN**-**C143**-**TD**

**822Z-M**\_\_-**VS**-**TN**-**FN**-**C143**-**TD**

**ORDERING EXAMPLE & EXPLANATION**

**样品和说明**

■ **822Z-M1-VR-A04A-C143-J9Z**

COMBI-PUBLIC, GROUP 1 MASTER KEY SYSTEM, RIGHT VERSION, 0.6-1mm METAL THICKNESS, BLACK (MATT) FINISH, C143 CAM TYPE, 90° CLOCKWISE ROTARY CAM MOVEMENT.

公用-密码锁, 1组主密钥系统, 右款, 0.6-1毫米金属厚度, 黑色(表面), C143款锁门, 90° 顺时针旋转锁的把手.

**NOTE / 备注**

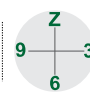
- \* METAL THICKNESS AFTER PAINTING MUST BE 0.6-1mm.  
铁皮喷漆后的厚度需为0.6-1毫米
- \*\* FOR PRODUCT WITH NICKEL FINISH (01K), THE LOCK WILL COME WITH NICKEL HOUSING AND SATIN-CHROME HANDLE.  
产品用镍材质 (01K), 镍外壳和镀铬把手

**TN METAL THICKNESS / 铁皮厚度**

CODE / 代码	METAL THICKNESS / 铁皮厚度
<b>A</b>	0.6-1mm

**TD TURNING DIRECTION / 钥匙旋转方向**

**K3Z** LEFT VERSION 左款 | **J9Z** RIGHT VERSION 右款

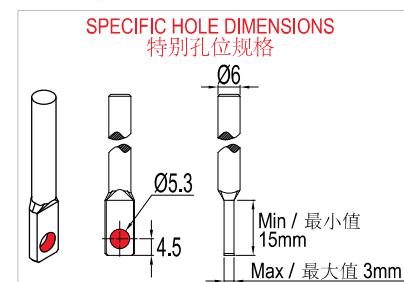
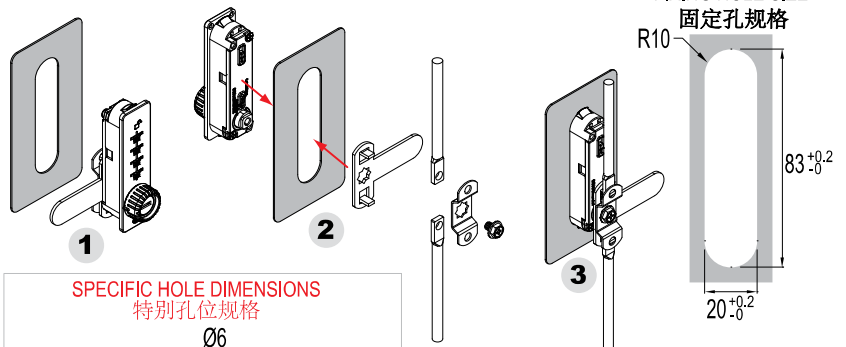


FROM LOCK TO UNLOCK POSITION  
从关到开的位置

**J**: CLOCKWISE / 顺时针方向

**K**: COUNTER-CLOCKWISE / 逆时针方向

**FIXING DETAILS / 安装细节**



ALL MEASUREMENTS : mm / 测量单位为毫米



# FOR METAL CABINET

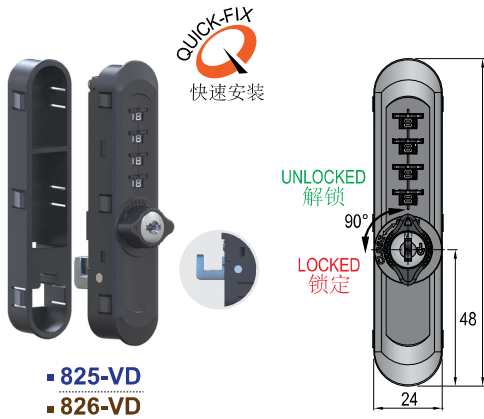
铁皮柜专用

## SLIDING DOOR CABINET LOCK

滑动式门锁

PERSONAL / 私人 NO. **825-VD**

PUBLIC / 公用 NO. **826-VD**



• 825-VD  
• 826-VD

**VD** VERTICAL VERSION, DOWNWARD LOCKING  
垂直款, 向下锁定

### SPECIFICATIONS / 产品说明

- KEYLESS OPERATION  
不需要钥匙来锁定和解锁
- 2-IN-1 SYSTEM, ONE SMART LOCK THAT FEATURES PERSONAL & PUBLIC FUNCTIONS  
突出私用和公用功能的二合一系统智能锁
- CODE SETTING WITHOUT TOOLS  
设置新密码不需要工具
- CODE FINDING FROM THE FRONT BY RECOVERY KEY  
恢复密码参考前面的代码
- PLASTIC HOUSING  
塑胶外壳
- 200 DIFFERENT KEY CHANGES FOR SERVICE CYLINDERS  
有200位数字密码可随意更改
- 10 GROUPS OF MASTER KEYS SYSTEM AVAILABLE  
10组主密匙

### A SET INCLUDES / 配套工具

- 1 LOCK / 1 把锁
- 1 RECOVERY TOOL (FOR COMBI-PERSONAL ONLY)  
1 个密码恢复工具 (只针对私用)
- 1 RECOVERY KEY (FOR KEYED DIFFERENT ONLY, NOT SUPPLIED WITH KEYED ALIKE)  
1 份恢复密匙 (仅供不同锁使用, 不能共用)

### FN FINISH / 颜色

- 66 WHITE / 白色
- 91 BLACK / 黑色

### PRODUCT CODE / 产品代码

**825-M\_\_-VD-TN-FN**

**826-M\_\_-VD-TN-FN**

### ORDERING EXAMPLE & EXPLANATION 样品和说明

• 825-M1-VD-A-91

COMBI-PERSONAL, GROUP 1 MASTER KEY SYSTEM, VERTICAL VERSION, DOWNWARD LOCKING, 0.6-1mm METAL THICKNESS, BLACK FINISH.

私用-密码锁, 1组主密匙系统, 垂直款, 向下锁定, 0.6-1毫米金属厚度, 黑色.

### NOTE / 备注

- \* METAL THICKNESS AFTER PAINTING MUST BE 0.6-1mm  
铁皮喷漆后的厚度需为0.6-1毫米
- \*\* HANDLE (R389) SOLD SEPARATELY.  
把手(R389)可单独出售

### KNOB OPTIONS / 把手选项

- R315



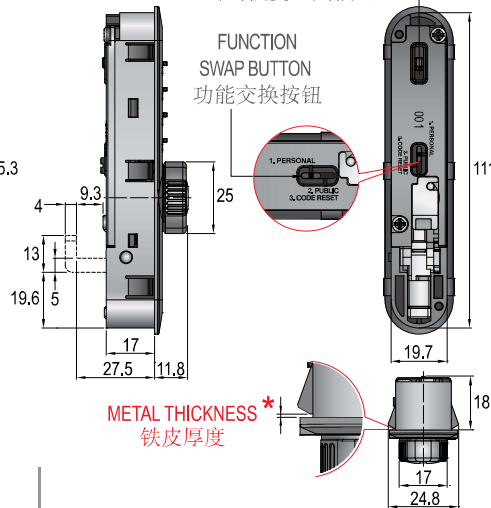
- R438



NEW & IMPROVED DESIGN  
全新的设计理念

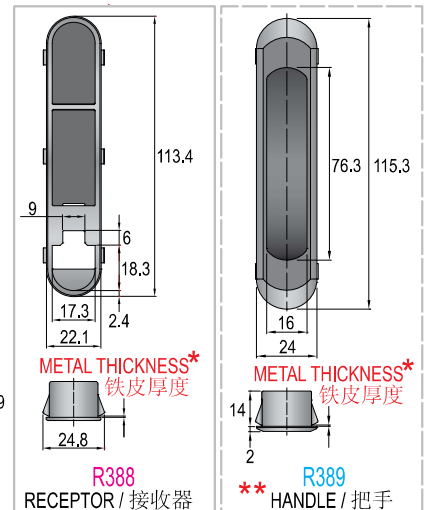
RECOVERY TOOL SOCKET  
密码恢复工具插口

FUNCTION SWAP BUTTON  
功能交换按钮



METAL THICKNESS\*  
铁皮厚度

UP TO 高达 **9,999** COMBINATIONS  
密码组合



METAL THICKNESS\*  
铁皮厚度

METAL THICKNESS\*  
铁皮厚度

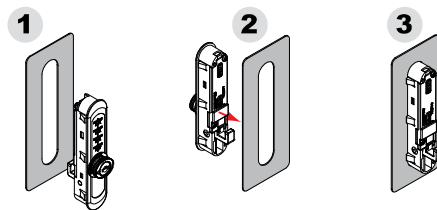
R388  
RECEPTOR / 接收器

R389  
HANDLE / 把手

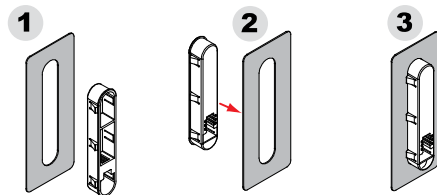
### TN METAL THICKNESS / 铁皮厚度

CODE / 代码	METAL THICKNESS / 铁皮厚度
A	0.6-1mm

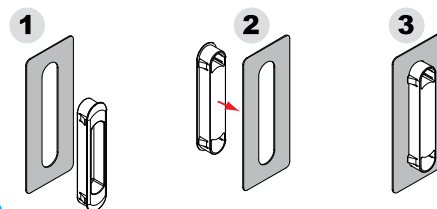
### FIXING DETAILS / 安装细节



825-VD, 826-VD

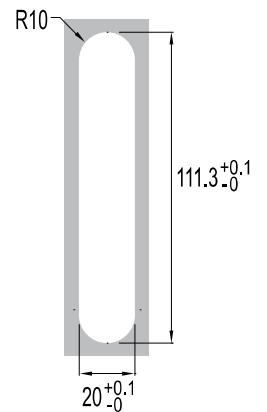


R388  
(RECEPTOR / 接收器)



R389  
(HANDLE / 把手)

FIXING HOLE SIZE  
固定孔规格



SAME HOLE SIZE FOR ALL FOUR FIXING HOLES  
1个相同的固定孔规格

ALL MEASUREMENTS : mm / 测量单位为毫米

# FOR METAL CABINET

铁皮柜专用

## SLIDING DOOR CABINET LOCK

滑动式门锁

PERSONAL / 私有 NO. **825-VU**

PUBLIC / 公用 NO. **826-VU**

UP TO 高达 **9,999** COMBINATIONS 密码组合



■ **825-VU**  
■ **826-VU**

**VU** VERTICAL VERSION, UPWARD LOCKING  
垂直款, 向上锁定

### SPECIFICATIONS / 产品说明

- KEYLESS OPERATION  
不需要钥匙来锁定和解锁
- 2-IN-1 SYSTEM, ONE SMART LOCK THAT FEATURES PERSONAL & PUBLIC FUNCTIONS  
突出私用和公用功能的二合一系统智能锁
- CODE SETTING WITHOUT TOOLS  
设置新密码不需要工具
- CODE FINDING FROM THE FRONT BY RECOVERY KEY  
恢复密码参考前面的代码
- PLASTIC HOUSING  
塑胶外壳
- 200 DIFFERENT KEY CHANGES FOR SERVICE CYLINDERS  
有200位数密码可随意更改
- 10 GROUPS OF MASTER KEYS SYSTEM AVAILABLE  
10组主密匙

### A SET INCLUDES / 配套工具

- 1 LOCK / 1 把锁
- 1 RECOVERY TOOL (FOR COMBI-PERSONAL ONLY)  
1 个密码恢复工具 (只针对私有)
- 1 RECOVERY KEY (FOR KEYED DIFFERENT ONLY, NOT SUPPLIED WITH KEYED ALIKE)  
1 份恢复密匙 (仅供不同锁使用, 不能共用)

### FN FINISH / 颜色

- 66 WHITE / 白色
- 91 BLACK / 黑色

### PRODUCT CODE / 产品代码

**825-M\_\_-VU-TN-FN**

**826-M\_\_-VU-TN-FN**

### ORDERING EXAMPLE & EXPLANATION 样品和说明

■ 826-M1-VU-A-91

COMBI-PUBLIC, GROUP 1 MASTER KEY SYSTEM, VERTICAL VERSION, UPWARD LOCKING, 0.6-1mm METAL THICKNESS, BLACK FINISH.  
公用-密码锁, 1组主密匙系统, 垂直款, 向上锁定, 0.6-1毫米金属厚度, 黑色.

### NOTE / 备注

- \* METAL THICKNESS AFTER PAINTING MUST BE 0.6-1mm.  
铁皮喷漆后的厚度需为0.6-1毫米
- \*\* HANDLE (R389) SOLD SEPARATELY.  
把手(R389)可单独出售

### KNOB OPTIONS / 把手选项

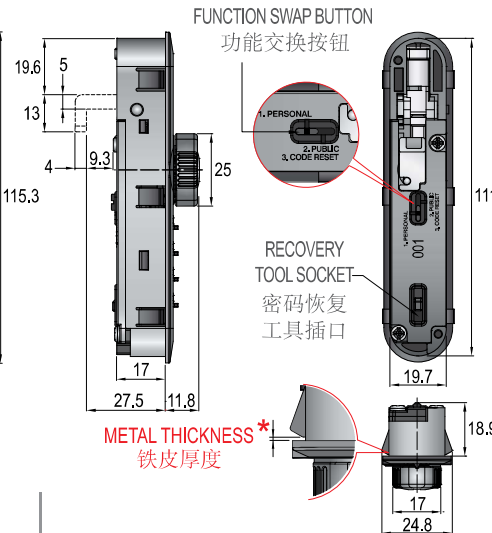
- R369



- R441



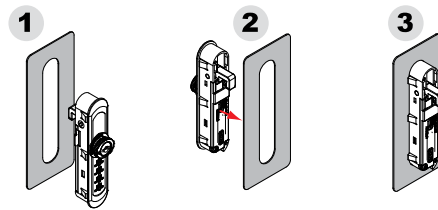
NEW & IMPROVED DESIGN  
全新的设计理念



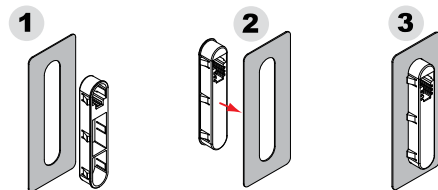
### TN METAL THICKNESS / 铁皮厚度

CODE / 代码	METAL THICKNESS / 铁皮厚度
A	0.6-1mm

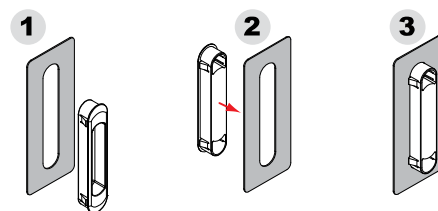
### FIXING DETAILS / 安装细节



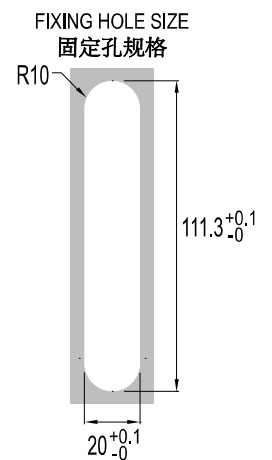
825-VU, 826-VU



R388  
(RECEPTOR / 接收器)



R389  
(HANDLE / 把手)



SAME HOLE SIZE FOR ALL FOUR FIXING HOLES  
1个相同的固定孔规格

ALL MEASUREMENTS : mm / 测量单位为毫米

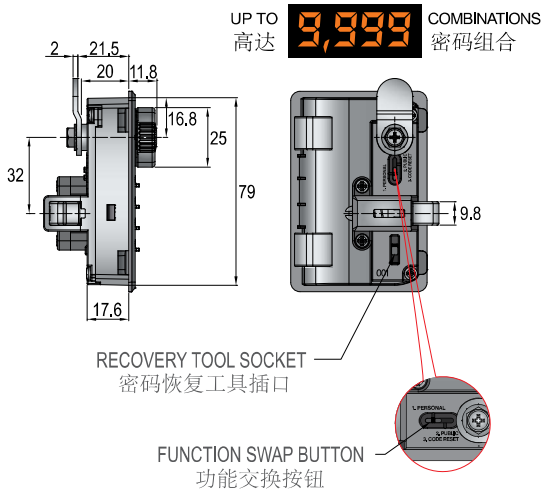
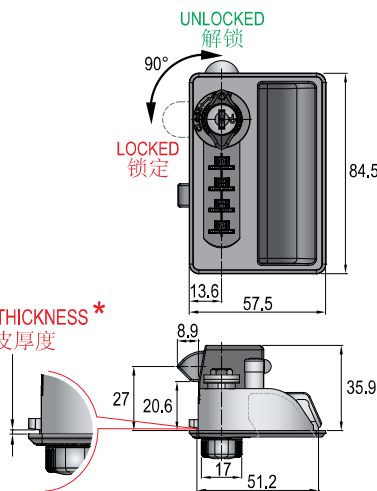


■ 827-VR-C238  
■ 828-VR-C238

VR ONLY RIGHT VERSION AVAILABLE  
仅有右边的款式



METAL THICKNESS \*  
铁皮厚度



SPECIFICATIONS / 产品说明

- KEYLESS OPERATION  
不需要钥匙来锁定和解锁
- 2-IN-1 SYSTEM, ONE SMART LOCK THAT FEATURES PERSONAL & PUBLIC FUNCTIONS  
突出私有和公用功能的二合一系统智能锁
- CODE SETTING WITHOUT TOOLS  
设置新密码不需要工具
- CODE FINDING FROM THE FRONT BY RECOVERY KEY  
恢复密码参考前面的代码
- PLASTIC HOUSING  
塑胶外壳
- 200 DIFFERENT KEY CHANGES FOR SERVICE CYLINDERS  
有200位数密码可随意更改
- 10 GROUPS OF MASTER KEYS SYSTEM AVAILABLE  
10组主密匙

A SET INCLUDES / 配套工具

- 1 LOCK / 1 把锁
- 1 RECOVERY TOOL (FOR COMBI-PERSONAL ONLY)  
1个密码恢复工具 (只针对私有)
- 1 RECOVERY KEY (FOR KEYED DIFFERENT ONLY, NOT SUPPLIED WITH KEYED ALIKE)  
1份恢复密匙 (仅供不同锁使用, 不能共用)

FN FINISH / 颜色

- 66 WHITE / 白色
- 91 BLACK / 黑色

PRODUCT CODE / 产品代码

827-M\_\_-VR-TN-FN-C238-TD

828-M\_\_-VR-TN-FN-C238-TD

ORDERING EXAMPLE & EXPLANATION

样品和说明

■ 827-M1-VR-A-91-C238-J9Z

COMBI-PERSONAL, GROUP 1 MASTER KEY SYSTEM, RIGHT VERSION, 0.6-1mm METAL THICKNESS, BLACK FINISH, C238 CAM TYPE, 90° CLOCKWISE ROTARY CAM MOVEMENT.  
私有-密码锁, 1组主密匙系统, 右款, 0.6-1毫米金属厚度, 黑色, C238款锁门, 90° 顺时针旋转锁的把手.

NOTE / 备注

\* METAL THICKNESS AFTER PAINTING MUST BE 0.6-1mm.  
铁皮喷漆后的厚度需为0.6-1毫米

KNOB OPTIONS / 把手选项

- R369



- R441



NEW & IMPROVED DESIGN  
全新的设计理念

TN METAL THICKNESS / 铁皮厚度

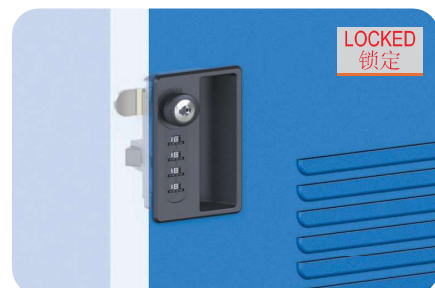
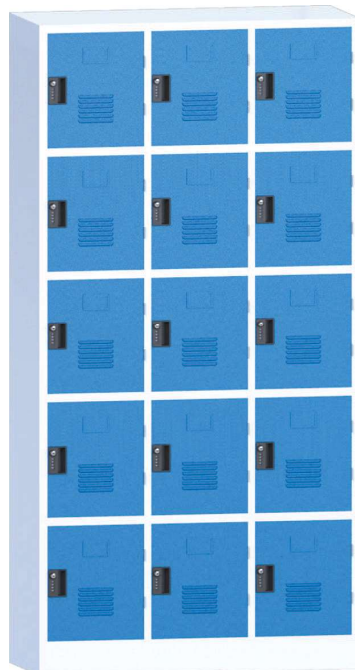
CODE / 代码	METAL THICKNESS / 铁皮厚度
A	0.6-1mm

TD TURNING DIRECTION / 钥匙旋转方向

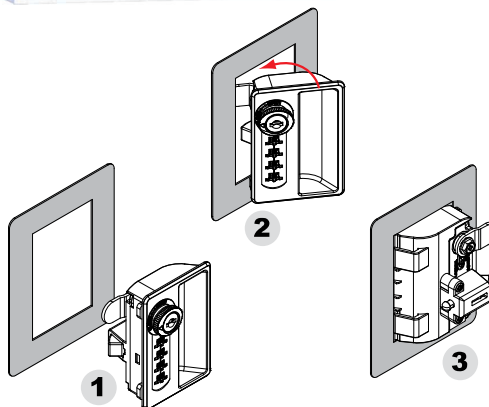
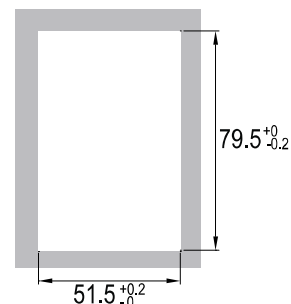
J9Z RIGHT VERSION 右款

FROM LOCK TO UNLOCK POSITION  
从关到开的位置  
J: CLOCKWISE / 顺时针方向  
K: COUNTER-CLOCKWISE / 逆时针方向

FIXING DETAILS / 安装细节



FIXING HOLE SIZE / 固定孔规格



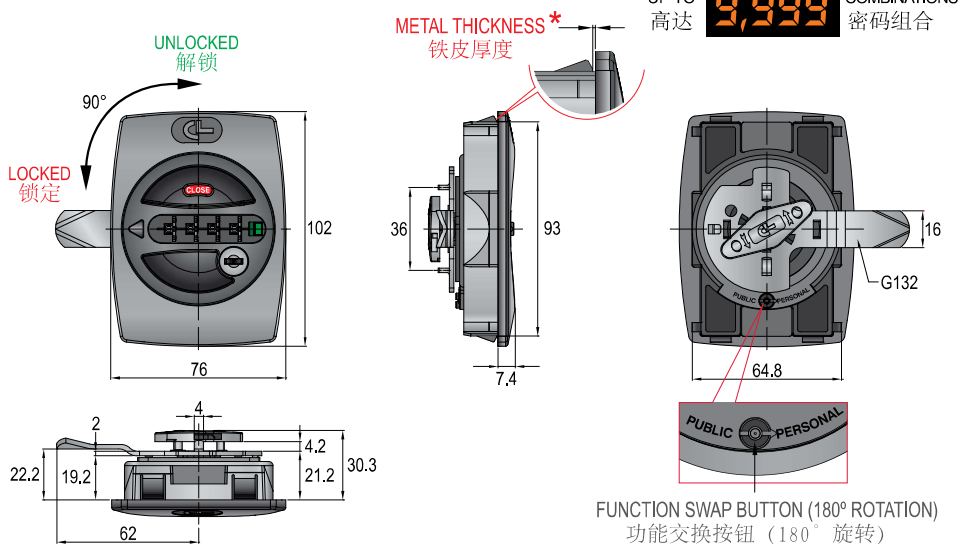
ALL MEASUREMENTS : mm / 测量单位为毫米





■ **829-R-G132**  
■ **830-R-G132**

**R** ONLY RIGHT VERSION AVAILABLE  
仅有右边的款式



**SPECIFICATIONS / 产品说明**

- KEYLESS OPERATION  
不需要钥匙来锁定和解锁
- 2-IN-1 SYSTEM, ONE SMART LOCK THAT FEATURES PERSONAL & PUBLIC FUNCTIONS  
突出私有和公用功能的二合一系统智能锁
- CODE SETTING WITHOUT TOOLS  
设置新密码不需要工具
- CODE FINDING FROM THE FRONT BY RECOVERY KEY  
恢复密码参考前面的代码
- PLASTIC HOUSING  
塑胶外壳
- 200 DIFFERENT KEY CHANGES FOR SERVICE CYLINDERS  
有200位数密码可随意更改
- 10 GROUPS OF MASTER KEYS SYSTEM AVAILABLE  
10组主密匙

**A SET INCLUDES / 配套工具**

- 1 LOCK / 1 把锁
- 1 RECOVERY KEY (FOR KEYED DIFFERENT ONLY, NOT SUPPLIED WITH KEYED ALIKE)  
1份恢复密匙 (仅供不同锁使用, 不能共用)

**FN FINISH / 颜色**

- 66 WHITE / 白色
- 91 BLACK / 黑色

**PRODUCT CODE / 产品代码**

**829-M\_\_-R-TN-FN-G132-TD**

**830-M\_\_-R-TN-FN-G132-TD**

**ORDERING EXAMPLE & EXPLANATION**

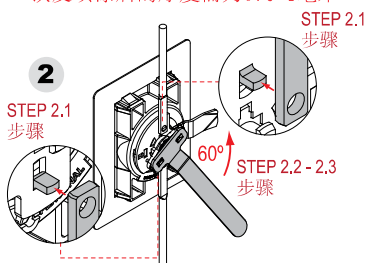
**样品和说明**

■ **830-M1-R-A-91-G132-J9Z**

COMBI-PUBLIC, GROUP 1 MASTER KEY SYSTEM, RIGHT VERSION, 0.6-1mm METAL THICKNESS, BLACK FINISH, G132 CAM TYPE, 90° CLOCKWISE ROTARY CAM MOVEMENT.  
公用-密码锁, 1组主密钥系统, 右款, 0.6-1毫米金属厚度, 黑色, G132款锁门, 90° 顺时针旋转锁的把手.

**NOTE / 备注**

\* METAL THICKNESS AFTER PAINTING MUST BE 0.6-1mm.  
铁皮喷漆后的厚度需为0.6-1毫米



- 2.1 ALIGN AND INSERT UPPER AND LOWER RODS INTO THEIR PLACES.  
上下对齐分别插入相应的控中
- 2.2 ALIGN THE BACK PART OF THE LOCK (THE PART WITH CL LOGO) WITH THE SPECIAL TOOL (S039, SUPPLIED),  
使用专业工具 (S039) 把锁的后面部分对齐 (有CL LOGO的部分)
- 2.3 PUSH UPWARD 60° TO THE RIGHT UNTIL THE RODS ARE LOCKED INTO THEIR POSITIONS.  
向上推动60° 各项环节就位

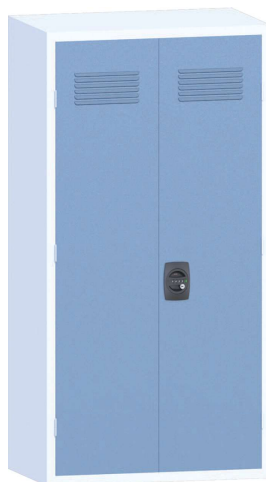
**TN METAL THICKNESS / 铁皮厚度**

CODE / 代码	METAL THICKNESS / 铁皮厚度
A	0.6-1mm

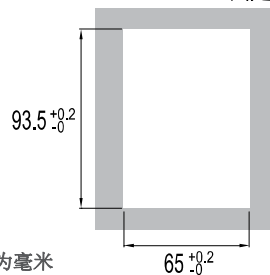
**TD TURNING DIRECTION / 钥匙旋转方向**



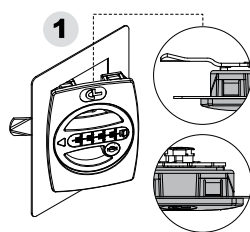
**FIXING DETAILS / 安装细节**



**FIXING HOLE SIZE / 固定孔规格**

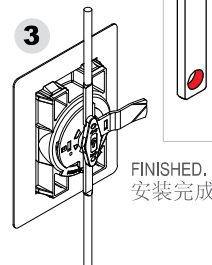
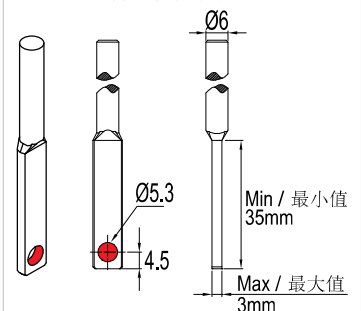


ALL MEASUREMENTS : mm / 测量单位为毫米



1. INSERT THE LOCK INTO FIXING HOLE, BE SURE TO PUSH THE LOCK UPWARD BEFORE PUSHING IN BOTTOM PART.  
把锁插入固定孔, 一定要把锁向上推到固定孔顶部

**SPECIFIC HOLE DIMENSIONS 特别孔位规格**



# FOR METAL CABINET

铁皮柜专用

SWING DOOR CABINET LOCK / 合叶式门锁  
(THREE-POINT LOCKING) / (3 点锁)

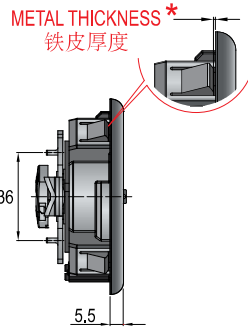
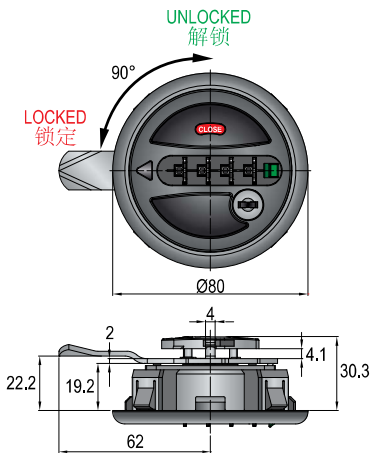
PERSONAL / 私用 NO. **835-R-G132**

PUBLIC / 公用 NO. **836-R-G132**

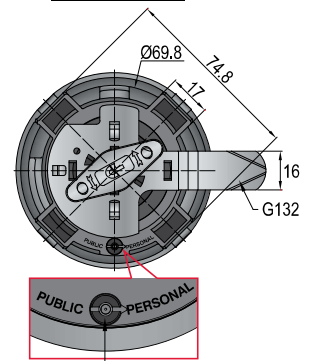


▪ 835-R-G132  
▪ 836-R-G132

**R** ONLY RIGHT VERSION AVAILABLE  
仅有右边的款式



UP TO 高达 **9,999** COMBINATIONS 密码组合



FUNCTION SWAP BUTTON (180° ROTATION)  
功能交换按钮 (180° 旋转)

## SPECIFICATIONS / 产品说明

- KEYLESS OPERATION  
不需要钥匙来锁定和解锁
- 2-IN-1 SYSTEM, ONE SMART LOCK THAT FEATURES PERSONAL & PUBLIC FUNCTIONS  
突出私用和公用功能的二合一系统智能锁
- CODE SETTING WITHOUT TOOLS  
设置新密码不需要工具
- CODE FINDING FROM THE FRONT BY RECOVERY KEY  
恢复密码参考前面的代码
- PLASTIC HOUSING  
塑胶外壳
- 200 DIFFERENT KEY CHANGES FOR SERVICE CYLINDERS  
有200位数密码可随意更改
- 10 GROUPS OF MASTER KEYS SYSTEM AVAILABLE  
10组主密匙

## A SET INCLUDES / 配套工具

- 1 LOCK / 1 把锁
- 1 RECOVERY KEY (FOR KEYED DIFFERENT ONLY, NOT SUPPLIED WITH KEYED ALIKE)  
1份恢复密匙 (仅供不同锁使用, 不能共用)

## FN FINISH / 颜色

- 66 WHITE / 白色
- 91 BLACK / 黑色

## PRODUCT CODE / 产品代码

**835-M\_\_-R-TN-FN-G132-TD**

**836-M\_\_-R-TN-FN-G132-TD**

## ORDERING EXAMPLE & EXPLANATION

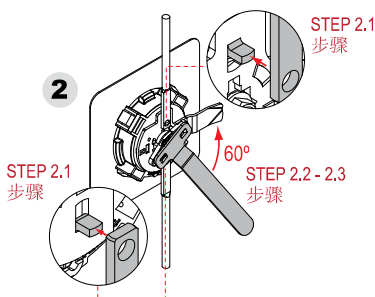
### 样品和说明

▪ 835-M1-R-A-91-G132-J9Z

COMBI-PERSONAL, GROUP 1 MASTER KEY SYSTEM, RIGHT VERSION, 0.6-1mm METAL THICKNESS, BLACK FINISH, G132 CAM TYPE, 90° CLOCKWISE ROTARY CAM MOVEMENT.  
私用-密码锁, 1组主密匙系统, 右款, 0.6-1毫米金属厚度, 黑色, G132款锁门, 90° 顺时针旋转锁的把手。

### NOTE / 备注

\* METAL THICKNESS AFTER PAINTING MUST BE 0.6-1mm.  
铁皮喷漆后的厚度需为0.6-1毫米



2.1 ALIGN AND INSERT UPPER AND LOWER RODS INTO THEIR PLACES.  
上下对齐分别插入相应的控中

2.2 ALIGN THE BACK PART OF THE LOCK (THE PART WITH CL LOGO) WITH THE SPECIAL TOOL (S039, SUPPLIED).  
使用专业工具 (S039) 把锁的后面部分对齐 (有CL LOGO的部分)

2.3 PUSH UPWARD 60° TO THE RIGHT UNTIL THE RODS ARE LOCKED INTO THEIR POSITIONS.  
向上推动60° 各项环节就位

## TN METAL THICKNESS / 铁皮厚度

CODE / 代码	METAL THICKNESS / 铁皮厚度
A	0.6-1mm

## TD TURNING DIRECTION / 钥匙旋转方向

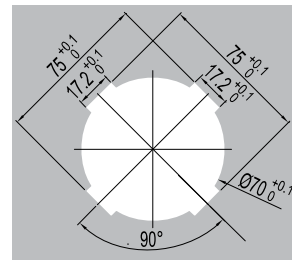
J9Z RIGHT VERSION 右款

FROM LOCK TO UNLOCK POSITION  
从关到开的位置  
J: CLOCKWISE / 顺时针方向  
K: COUNTER-CLOCKWISE / 逆时针方向

## FIXING DETAILS / 安装细节



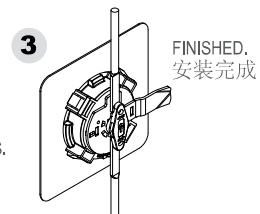
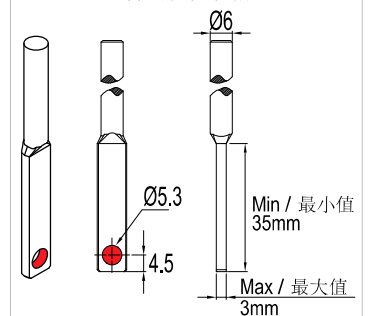
## FIXING HOLE SIZE / 固定孔规格



ALL MEASUREMENTS : mm / 测量单位为毫米



## SPECIFIC HOLE DIMENSIONS / 特别孔位规格



# FOR METAL CABINET

铁皮柜专用

SWING DOOR CABINET LOCK / 合叶式门锁  
(TWO-POINT LOCKING) / (2点锁)

PERSONAL / 私有 NO. **835-R-G514**

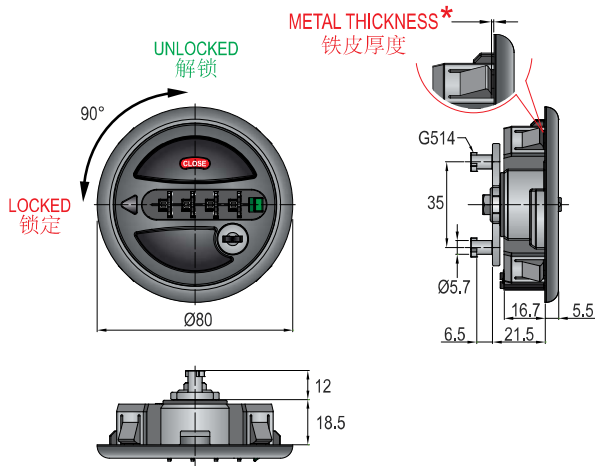
PUBLIC / 公用 NO. **836-R-G514**



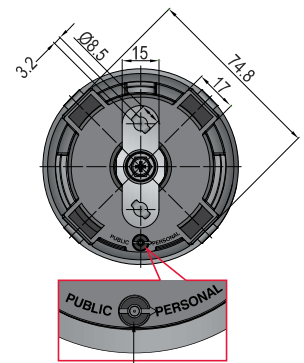
**QUICK-FIX**  
快速安装

■ **835-R-G514**  
■ **836-R-G514**

**R** ONLY RIGHT VERSION AVAILABLE  
仅有右边的款式



UP TO 高达 **9,999** COMBINATIONS 密码组合



FUNCTION SWAP BUTTON (180° ROTATION)  
功能交换按钮 (180° 旋转)

## SPECIFICATIONS / 产品说明

- KEYLESS OPERATION  
不需要钥匙来锁定和解锁
- 2-IN-1 SYSTEM, ONE SMART LOCK THAT FEATURES PERSONAL & PUBLIC FUNCTIONS  
突出私有和公用功能的二合一系统智能锁
- CODE SETTING WITHOUT TOOLS  
设置新密码不需要工具
- CODE FINDING FROM THE FRONT BY RECOVERY KEY  
恢复密码参考前面的代码
- PLASTIC HOUSING  
塑胶外壳
- 200 DIFFERENT KEY CHANGES FOR SERVICE CYLINDERS  
有200位数密码可随意更改
- 10 GROUPS OF MASTER KEYS SYSTEM AVAILABLE  
10组主密匙

## A SET INCLUDES / 配套工具

- 1 LOCK / 1 把锁
- 1 RECOVERY KEY (FOR KEYED DIFFERENT ONLY, NOT SUPPLIED WITH KEYED ALIKE)  
1 份恢复密匙 (仅供不同锁使用, 不能共用)

## FN FINISH / 颜色

- 66 WHITE / 白色
- 91 BLACK / 黑色

## PRODUCT CODE / 产品代码

**835-M\_\_-R-TN-FN-G514-TD**

**836-M\_\_-R-TN-FN-G514-TD**

## ORDERING EXAMPLE & EXPLANATION

### 样品和说明

■ 836-M1-R-A-91-G514-J9Z

COMBI-PUBLIC, GROUP 1 MASTER KEY SYSTEM, RIGHT VERSION, 0.6-1mm METAL THICKNESS, BLACK FINISH, G514 CAM TYPE, 90° CLOCKWISE ROTARY CAM MOVEMENT.  
公用-密码锁, 1组主密匙系统, 右款, 0.6-1毫米金属厚度, 黑色, G514款锁门, 90° 顺时针旋转锁的把手.

## NOTE / 备注

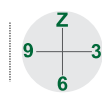
\* METAL THICKNESS AFTER PAINTING MUST BE 0.6-1mm.  
铁皮喷漆后的厚度需为0.6-1毫米

## TN METAL THICKNESS / 铁皮厚度

CODE / 代码	METAL THICKNESS / 铁皮厚度
A	0.6-1mm

## TD TURNING DIRECTION / 钥匙旋转方向

J9Z RIGHT VERSION  
右款



FROM LOCK TO UNLOCK POSITION  
从关到开的位置

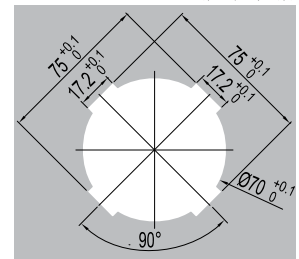
J: CLOCKWISE / 顺时针方向

K: COUNTER-CLOCKWISE / 逆时针方向

## FIXING DETAILS / 安装细节

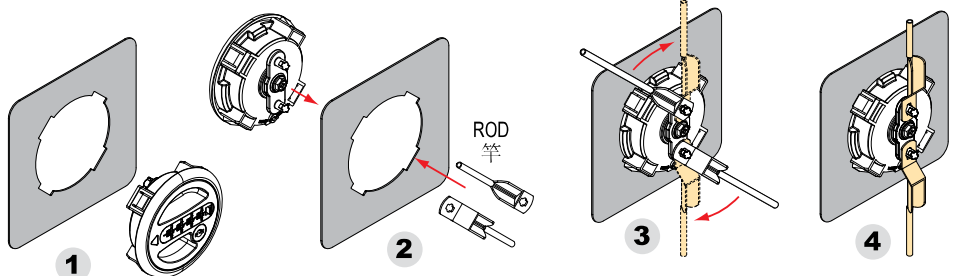
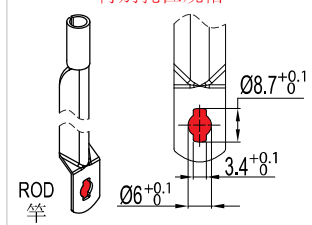


## FIXING HOLE SIZE / 固定孔规格



ALL MEASUREMENTS: mm / 测量单位为毫米

## SPECIFIC HOLE DIMENSIONS 特别孔位规格





COMBI

-  PERSONAL 私人
-  PUBLIC 公用



# FOR WOODEN

## CABINET

木材柜专用



*Digit*

**COMBINATION LOCKS**

4位数密码锁



**2-IN-1**  
**SYSTEM**

2合1系统

**VS** VERSION / 款式

**L** LEFT / 左

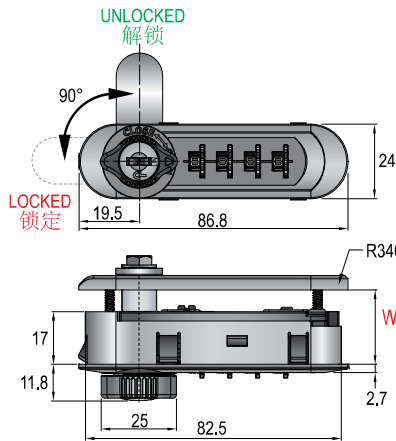


■ **821-L-C01**  
■ **822-L-C01**

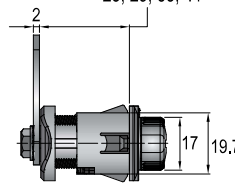
**R** RIGHT / 右



■ **821-R-C01**  
■ **822-R-C01**

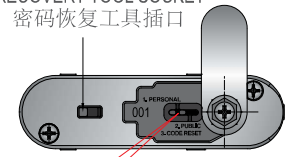


LENGTH / 长度  
= 25, 29, 35, 41

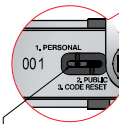


UP TO 高达 **9,999** COMBINATIONS  
密码组合

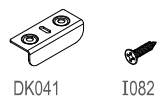
RECOVERY TOOL SOCKET  
密码恢复工具插口



FUNCTION SWAP BUTTON  
功能交换按钮



ACCESSORIES  
配件



**SPECIFICATIONS / 产品说明**

- KEYLESS OPERATION  
不需要钥匙来锁定和解锁
- 2-IN-1 SYSTEM, ONE SMART LOCK THAT FEATURES PERSONAL & PUBLIC FUNCTIONS  
突出私用和公用功能的二合一系统智能锁
- CODE SETTING WITHOUT TOOLS  
设置新密码不需要工具
- CODE FINDING FROM THE FRONT BY RECOVERY KEY  
恢复密钥参考前面的代码
- PLASTIC HOUSING  
塑胶外壳
- 200 DIFFERENT KEY CHANGES FOR SERVICE CYLINDERS  
有200位数字密码可随意更改
- 10 GROUPS OF MASTER KEYS SYSTEM AVAILABLE  
10组主密匙

**A SET INCLUDES / 配套工具**

- 1 LOCK / 1 把锁
- 1 RECOVERY TOOL (FOR COMBI-PERSONAL ONLY)  
1 个密码恢复工具 (只针对私用)
- 1 RECOVERY KEY (FOR KEYED DIFFERENT ONLY, NOT SUPPLIED WITH KEYED ALIKE)  
1 份恢复密匙 (仅供不同锁使用, 不能共用)
- 1 FIXING PLATE (R346) / 1 块固定板 (R346)
- 2 FIXING PLATE SCREWS / 2 个固定板螺丝
- 1 L-BRACKET (DK041) / 1 个L型固定支架 (DK041)
- 2 L-BRACKET SCREWS (I082) / 2 个L型固定支架螺丝 (I082)

**FN FINISH / 颜色**

- 66 WHITE / 白色
- 91 BLACK / 黑色

**PRODUCT CODE / 产品代码**

**821-M** \_\_- **VS** - **TN** - **FN-C** \_\_- **TD**

**822-M** \_\_- **VS** - **TN** - **FN-C** \_\_- **TD**

**ORDERING EXAMPLE & EXPLANATION / 样品和说明**

■ **821-M1-R-C-91-C01-J9Z**

COMBI-PERSONAL, GROUP 1 MASTER KEY SYSTEM, RIGHT VERSION, 20-24mm WOOD THICKNESS, BLACK FINISH, C01 CAM TYPE, 90° CLOCKWISE ROTARY CAM MOVEMENT.  
私用-密码锁, 1组主密匙系统, 右款, 20-24毫米木材厚度, 黑色, C01款锁门, 90° 顺时针旋转锁的把手。

**KNOB OPTIONS / 把手选项**

- R315



- R438



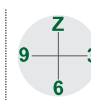
NEW & IMPROVED DESIGN  
全新的设计理念

**TN** WOOD THICKNESS / 木材厚度

CODE 代码	WOOD THICKNESS 木材厚度	FIXING PLATE 固定板	FIXING PLATE SCREW 固定板螺丝钉
<b>B</b>	16-20mm	R346-91	I084 (M3 x 19)
<b>C</b>	20-24mm	R346-91	I089 (M3 x 22)
<b>D</b>	24-30mm	R346-91	I090 (M3 x 28)
<b>E</b>	30-36mm	R346-91	I091 (M3 x 33)

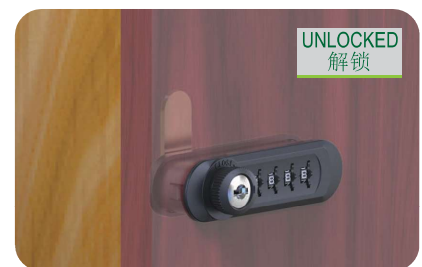
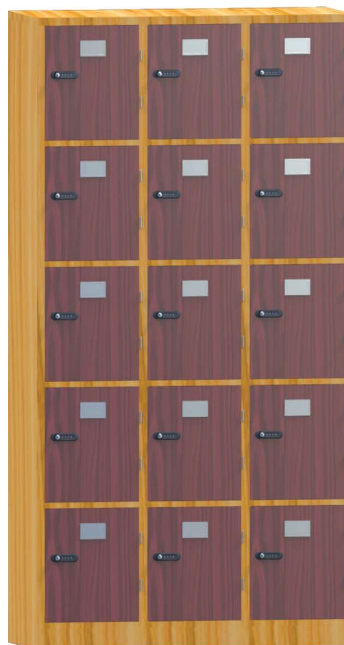
**TD** TURNING DIRECTION / 钥匙转动方向

- K3Z** LEFT VERSION / 左款
- KZ9** LEFT VERSION / 左款
- K63** LEFT VERSION / 左款
- J9Z** RIGHT VERSION / 右款
- JZ3** RIGHT VERSION / 右款
- J69** RIGHT VERSION / 右款

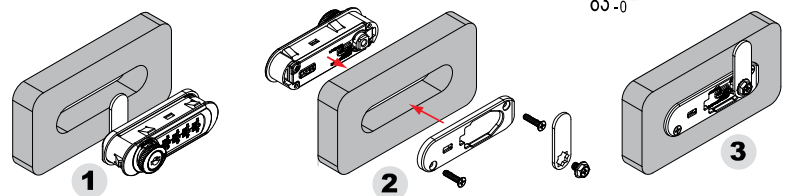
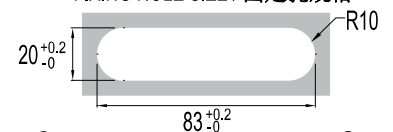


FROM LOCK TO UNLOCK POSITION  
从关到开位置  
J: CLOCKWISE / 顺时针方向  
K: COUNTER-CLOCKWISE / 逆时针方向

**FIXING DETAILS / 安装细节**



FIXING HOLE SIZE / 固定孔规格



ALL MEASUREMENTS: mm / 测量单位为毫米

# FOR WOODEN CABINET

木材柜专用

## FRONT CENTRAL LOCK / 前中控锁

PERSONAL / 私人 NO. **821-D033**

PUBLIC / 公用 NO. **822-D033**

**VS** VERSION / 版本

**L** LEFT / 左



■ **821-L-D033**

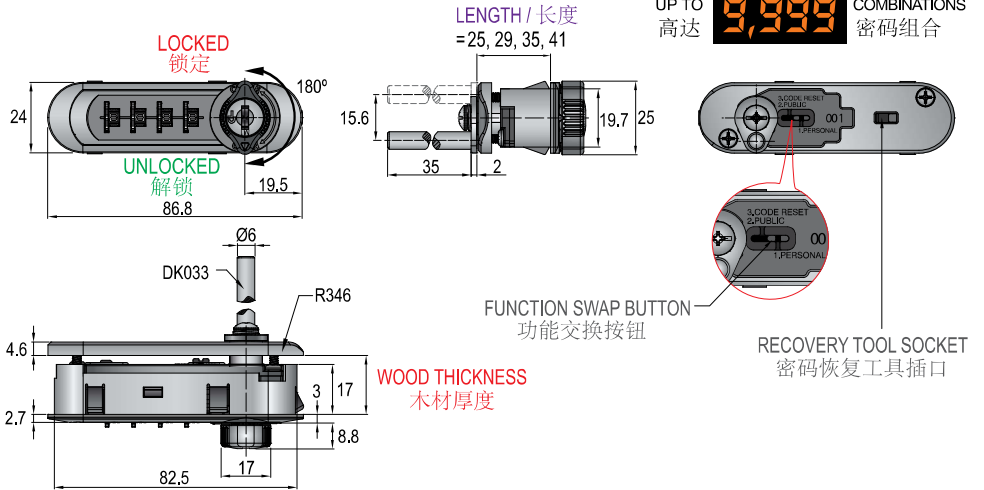
■ **822-L-D033**

**R** RIGHT / 右



■ **821-R-D033**

■ **822-R-D033**



### SPECIFICATIONS / 产品说明

- KEYLESS OPERATION 不需要钥匙来锁定和解锁
- 2-IN-1 SYSTEM, ONE SMART LOCK THAT FEATURES PERSONAL & PUBLIC FUNCTIONS 突出私用和公用功能的二合一系统智能锁
- CODE SETTING WITHOUT TOOLS 设置新密码不需要工具
- CODE FINDING FROM THE FRONT BY RECOVERY KEY 恢复密钥参考前面的代码
- PLASTIC HOUSING 塑胶外壳
- 200 DIFFERENT KEY CHANGES FOR SERVICE CYLINDERS 有200位数密码可随意更改
- 10 GROUPS OF MASTER KEYS SYSTEM AVAILABLE 10组主密匙

### A SET INCLUDES / 配套工具

- 1 LOCK / 1 把锁
- 1 RECOVERY TOOL (FOR COMBI-PERSONAL ONLY) 1个密码恢复工具 (只针对私用)
- 1 RECOVERY KEY (FOR KEYED DIFFERENT ONLY, NOT SUPPLIED WITH KEYED ALIKE) 1份恢复密匙 (仅供不同锁使用, 不能共用)
- 1 FIXING PLATE (R346) / 1 块固定板 (R346)
- 2 FIXING PLATE SCREWS / 2 个固定板螺丝

### FN FINISH / 颜色

- 66 WHITE / 白色
- 91 BLACK / 黑色

### PRODUCT CODE / 产品代码

**821-M\_\_-VS-TN-FN-D033-TD**

**822-M\_\_-VS-TN-FN-D033-TD**

### ORDERING EXAMPLE & EXPLANATION 样品和说明

■ 821-M1-R-B-91-D033-JZ6

COMBI-PERSONAL, GROUP 1 MASTER KEY SYSTEM, RIGHT VERSION, 16-20mm WOOD THICKNESS, BLACK FINISH, D033 LOCKING PIN TYPE, 180° CLOCKWISE ROTARY MOVEMENT. 私人-密码锁, 1组主密匙系统, 右款, 16-20毫米木材厚度, 黑色, D033款锁门, 180° 顺时针旋转.

### KNOB OPTIONS / 把手选项

-R315



-R438



NEW & IMPROVED DESIGN 全新的设计理念

### TN WOOD THICKNESS / 木材厚度

CODE 代码	WOOD THICKNESS 木材厚度	FIXING PLATE 固定板	FIXING PLATE SCREW 固定板螺丝钉
<b>B</b>	16-20mm	R346-91	I084 (M3 x 19)
<b>C</b>	20-24mm	R346-91	I089 (M3 x 22)
<b>D</b>	24-30mm	R346-91	I090 (M3 x 28)
<b>E</b>	30-36mm	R346-91	I091 (M3 x 33)

### TD TURNING DIRECTION / 钥匙转动方向

**KZ6** LEFT VERSION 左版本

**JZ6** RIGHT VERSION 右版本

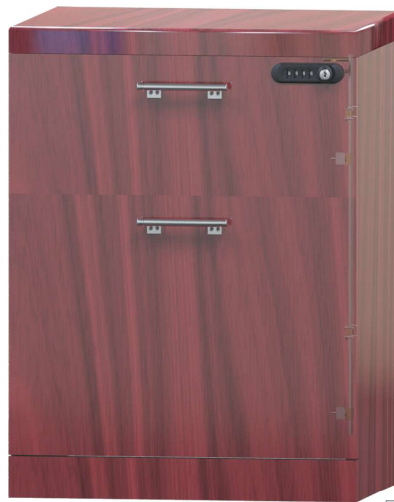


FROM LOCK TO UNLOCK POSITION 从关到开位置

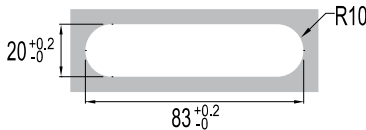
J : CLOCKWISE / 顺时针方向

K : COUNTER-CLOCKWISE / 逆时针方向

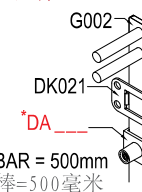
### FIXING DETAILS / 安装细节



### FIXING HOLE SIZE / 固定孔规格

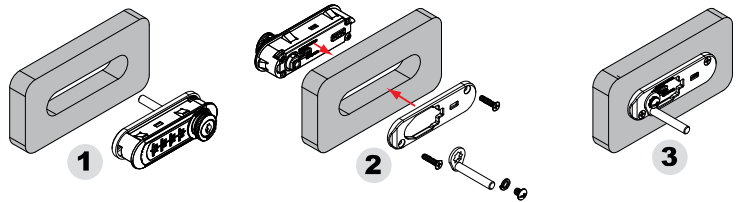


### ACCESSORIES 配件



### \*CUSTOMER SPECIFIED 客户指定

CODE 代码	mm 毫米	SCREW 螺丝
DA015	6	I028
	8	DU103
DA016	9	I006
	13	I006
DA017	25,5	DU048
	23	DU083
DA047	17	I006



ALL MEASUREMENTS : mm / 测量单位为毫米



# FOR WOODEN CABINET

木材柜专用

## ROLLER SHUTTER CABINET LOCK

卷闸门柜锁

PERSONAL / 私有 NO. **821-C46**

PUBLIC / 公用 NO. **822-C46**

### VS VERSION / 款式

VL LEFT / 左

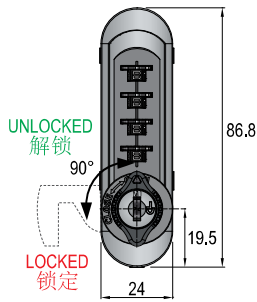


■ 821-VL-C46  
■ 822-VL-C46

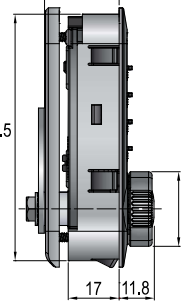
VR RIGHT / 右



■ 821-VR-C46  
■ 822-VR-C46



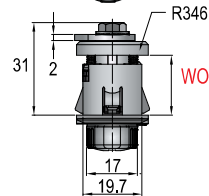
LENGTH / 长度  
= 25, 29, 35, 41



UP TO 高达 **9,999** COMBINATIONS  
密码组合

RECOVERY TOOL SOCKET  
密码恢复工具插口

ACCESSORIES  
配件



WOOD THICKNESS  
木材厚度

### SPECIFICATIONS / 产品说明

- KEYLESS OPERATION  
不需要钥匙来锁定和解锁
- 2-IN-1 SYSTEM, ONE SMART LOCK THAT FEATURES PERSONAL & PUBLIC FUNCTIONS  
突出私用和公用功能的二合一系统智能锁
- CODE SETTING WITHOUT TOOLS  
设置新密码不需要工具
- CODE FINDING FROM THE FRONT BY RECOVERY KEY  
恢复密钥参考前面的代码
- PLASTIC HOUSING  
塑胶外壳
- 200 DIFFERENT KEY CHANGES FOR SERVICE CYLINDERS  
有200位数字密码可随意更改
- 10 GROUPS OF MASTER KEYS SYSTEM AVAILABLE  
10组主密钥

### A SET INCLUDES / 配套工具

- 1 LOCK / 1 把锁
- 1 RECOVERY TOOL (FOR COMBI-PERSONAL ONLY)  
1 个密码恢复工具 (只针对私有)
- 1 RECOVERY KEY (FOR KEYED DIFFERENT ONLY, NOT SUPPLIED WITH KEYED ALIKE)  
1 份恢复密钥 (仅供不同锁使用, 不能共用)
- 1 FIXING PLATE (R346) / 1 块固定板 (R346)
- 2 FIXING PLATE SCREWS / 2 个固定板螺丝
- 1 L-BRACKET (DK405) / 1 个L型固定支架 (DK405)
- 2 L-BRACKET SCREWS (I082) / 2 个L型固定支架螺丝 (I082)

### FN FINISH / 颜色

- 66 WHITE / 白色
- 91 BLACK / 黑色

### PRODUCT CODE / 产品代码

821-M\_\_-VS-TN-FN-C46-TD

822-M\_\_-VS-TN-FN-C46-TD

### ORDERING EXAMPLE & EXPLANATION

#### 样品和说明

■ 821-M1-VR-E-91-C46-J9Z

COMBI-PERSONAL, GROUP 1 MASTER KEY SYSTEM, RIGHT VERSION, 30-36mm WOOD THICKNESS, BLACK FINISH, C46 CAM TYPE, 90° CLOCKWISE ROTARY CAM MOVEMENT. 私有-密码锁, 1组主密钥系统, 右款, 30-36毫米木材厚度, 黑色, C46款锁闭, 90° 顺时针旋转锁的把手.

### KNOB OPTIONS / 把手选项

- R315



- R438



NEW & IMPROVED DESIGN  
全新的设计理念

### TN WOOD THICKNESS / 木材厚度

CODE 代码	WOOD THICKNESS 木材厚度	FIXING PLATE 固定板	FIXING PLATE SCREW 固定板螺丝钉
B	16-20mm	R346-91	I084 (M3 x 19)
C	20-24mm	R346-91	I089 (M3 x 22)
D	24-30mm	R346-91	I090 (M3 x 28)
E	30-36mm	R346-91	I091 (M3 x 33)

### TD TURNING DIRECTION / 钥匙转动方向

K3Z LEFT VERSION  
左款

J9Z RIGHT VERSION  
右款

K63 LEFT VERSION  
左款

J69 RIGHT VERSION  
右款

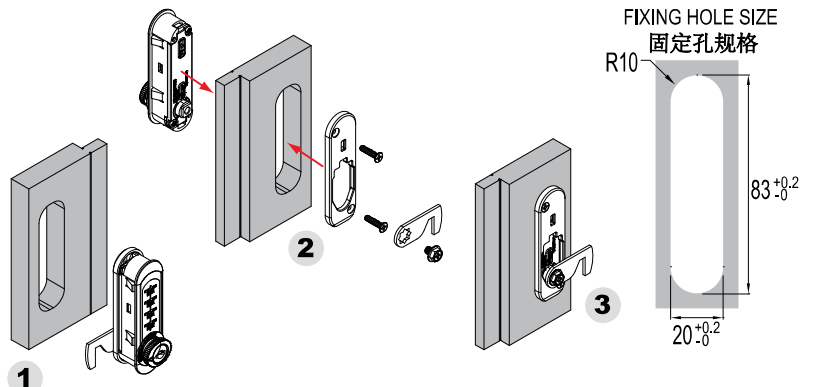


FROM LOCK TO UNLOCK POSITION  
从关到开位置

J : CLOCKWISE / 顺时针方向

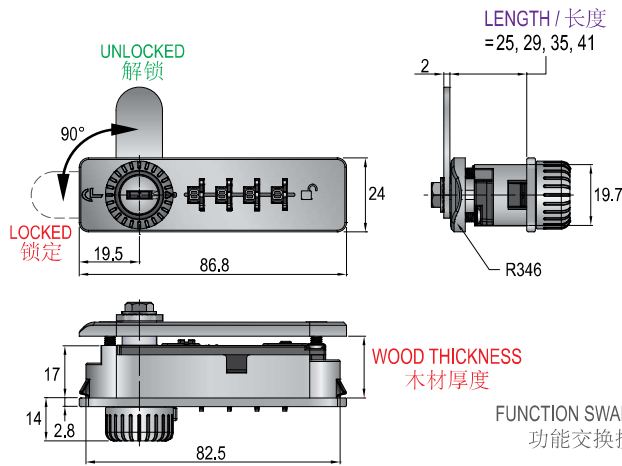
K : COUNTER-CLOCKWISE / 逆时针方向

### FIXING DETAILS / 安装细节



ALL MEASUREMENTS : mm / 测量单位为毫米

### VS VERSION / 款式



UP TO 高达 **9,999** COMBINATIONS 密码组合

RECOVERY TOOL SOCKET 密码恢复工具插口



### SPECIFICATIONS / 产品说明

- KEYLESS OPERATION  
不需要钥匙来锁定和解锁
- 2-IN-1 SYSTEM, ONE SMART LOCK THAT FEATURES PERSONAL & PUBLIC FUNCTIONS  
突出私用和公用功能的二合一系统智能锁
- CODE SETTING WITHOUT TOOLS  
设置新密码不需要工具
- CODE FINDING FROM THE FRONT BY RECOVERY KEY  
恢复密钥参考前面的代码
- ZINC ALLOY DIE CAST HOUSING  
锌合金外壳
- HANDLE KNOB OFFERS DISTINCTIVE FEEL WHILE TURNING  
转动钥匙手柄时有独特的手感
- 200 DIFFERENT KEY CHANGES FOR SERVICE CYLINDERS  
有200位数密码可随意更改
- 10 GROUPS OF MASTER KEYS SYSTEM AVAILABLE  
10组主钥匙

### A SET INCLUDES / 配套工具

- 1 LOCK / 1 把锁
- 1 RECOVERY TOOL (FOR COMBI-PERSONAL ONLY)  
1 个密码恢复工具 (只针对私有)
- 1 RECOVERY KEY (FOR KEYED DIFFERENT ONLY, NOT SUPPLIED WITH KEYED ALIKE)  
1 份恢复密钥 (仅供不同锁使用, 不能共用)
- 1 FIXING PLATE (R346) / 1 块固定板 (R346)
- 2 FIXING PLATE SCREWS / 2 个固定板螺丝
- 1 L-BRACKET (DK041) / 1 个L型固定支架 (DK041)
- 2 L-BRACKET SCREWS (I082) / 2 个L型固定支架螺丝 (I082)

### FN FINISH / 颜色

- 01K NICKEL / 镍色\*
- 04A BLACK (MATT) / 黑色 (表面)
- 14 WHITE / 白色
- 27 SATIN-NICKEL / 磨砂镍黄色
- 28 SATIN-CHROME / 磨砂铬黄色

### PRODUCT CODE / 产品代码

**821Z-M**\_\_VS\_\_TN\_\_FN\_\_C\_\_TD

**822Z-M**\_\_VS\_\_TN\_\_FN\_\_C\_\_TD

### ORDERING EXAMPLE & EXPLANATION

#### 样品和说明

▪ 821Z-M1-R-C-04A-C01-J9Z

COMBI-PERSONAL, GROUP 1 MASTER KEY SYSTEM, RIGHT VERSION, 20-24mm WOOD THICKNESS, BLACK (MATT) FINISH, C01 CAM TYPE, 90° CLOCKWISE ROTARY CAM MOVEMENT.

私用-密码锁, 1组主密钥系统, 右款, 20-24毫米木材厚度, 黑色(表面), C01款锁门, 90° 顺时针旋转锁的把手

### NOTE / 备注

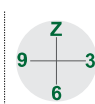
\* FOR PRODUCT WITH NICKEL FINISH (01K), THE LOCK WILL COME WITH NICKEL HOUSING AND SATIN-CHROME HANDLE. 产品用镍材质 (01K), 镍外壳和镀铬把手

### TN WOOD THICKNESS / 木材厚度

CODE 代码	WOOD THICKNESS 木材厚度	FIXING PLATE 固定板	FIXING PLATE SCREW 固定板螺丝钉
B	16-20mm	R346-91	I101 (M3.5 x 16)
C	20-24mm	R346-91	I101 (M3.5 x 16)
D	24-30mm	R346-91	I102 (M3.5 x 25)
E	30-36mm	R346-91	I103 (M3.5 x 30)

### TD TURNING DIRECTION / 钥匙转动方向

- K3Z** LEFT VERSION 左款
- KZ9** LEFT VERSION 左款
- K63** LEFT VERSION 左款
- J9Z** RIGHT VERSION 右款
- JZ3** RIGHT VERSION 右款
- J69** RIGHT VERSION 右款



FROM LOCK TO UNLOCK POSITION  
从关到开位置

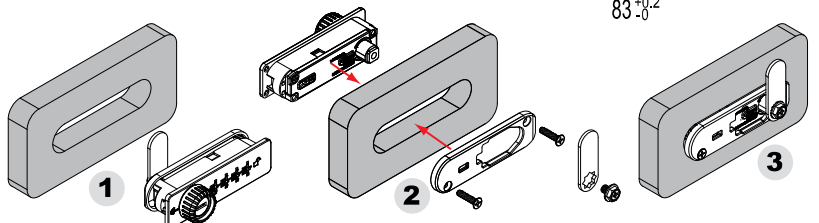
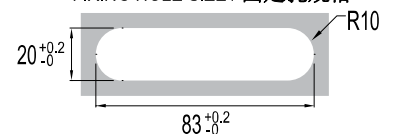
J: CLOCKWISE / 顺时针方向

K: COUNTER-CLOCKWISE / 逆时针方向

### FIXING DETAILS / 安装细节



### FIXING HOLE SIZE / 固定孔规格



ALL MEASUREMENTS: mm / 测量单位为毫米

# FOR WOODEN CABINET

木材柜专用

FRONT CENTRAL LOCK / 前中控锁

PERSONAL / 私人 NO. **821Z-D033**

PUBLIC / 公用 NO. **822Z-D033**

VS VERSION / 款式

L LEFT / 左

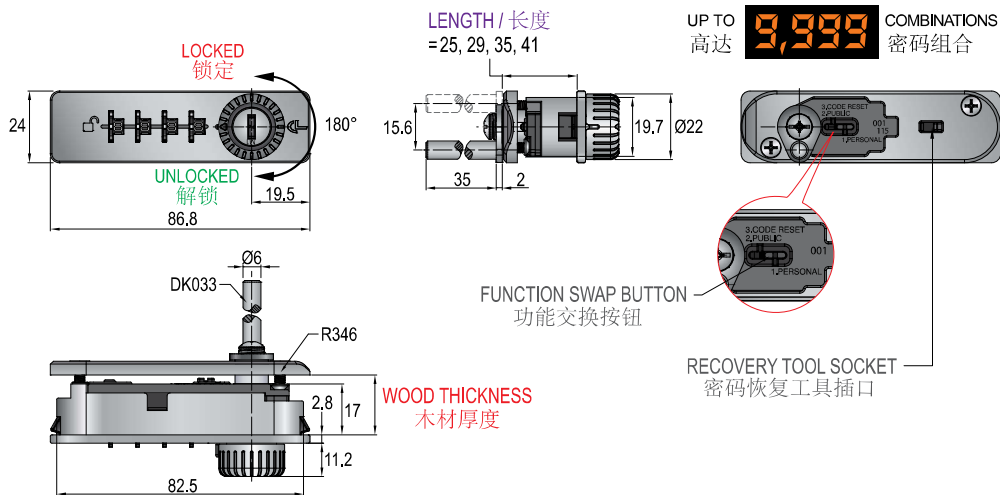


■ 821Z-L-D033  
■ 822Z-L-D033

R RIGHT / 右



■ 821Z-R-D033  
■ 822Z-R-D033



## SPECIFICATIONS / 产品说明

- KEYLESS OPERATION  
不需要钥匙来锁定和解锁
- 2-IN-1 SYSTEM, ONE SMART LOCK THAT FEATURES PERSONAL & PUBLIC FUNCTIONS  
突出私用和公用功能的二合一系统智能锁
- CODE SETTING WITHOUT TOOLS  
设置新密码不需要工具
- CODE FINDING FROM THE FRONT BY RECOVERY KEY  
恢复密钥参考前面的代码
- ZINC ALLOY DIE CAST HOUSING  
锌合金外壳
- HANDLE KNOB OFFERS DISTINCTIVE FEEL WHILE TURNING  
转动钥匙手柄时有独特的手感
- 200 DIFFERENT KEY CHANGES FOR SERVICE CYLINDERS  
有200位数密码可随意更改
- 10 GROUPS OF MASTER KEYS SYSTEM AVAILABLE  
10组主密匙

## A SET INCLUDES / 配套工具

- 1 LOCK / 1 把锁
- 1 RECOVERY TOOL (FOR COMBI-PERSONAL ONLY)  
1 个密码恢复工具 (只针对私用)
- 1 RECOVERY KEY (FOR KEYED DIFFERENT ONLY, NOT SUPPLIED WITH KEYED ALIKE)  
1 份恢复密匙 (仅供不同锁使用, 不能共用)
- 1 FIXING PLATE (R346) / 1 块固定板 (R346)
- 2 FIXING PLATE SCREWS / 2 个固定板螺丝

## FN FINISH / 颜色

- 01K NICKEL / 镍色\*
- 04A BLACK (MATT) / 黑色 (表面)
- 14 WHITE / 白色
- 27 SATIN-NICKEL / 磨砂镍黄色
- 28 SATIN-CHROME / 磨砂铬黄色

## PRODUCT CODE / 产品代码

**821Z-M**\_\_-VS-**TN**-**FN**-**D033**-**TD**

**822Z-M**\_\_-VS-**TN**-**FN**-**D033**-**TD**

## ORDERING EXAMPLE & EXPLANATION

### 样品和说明

■ 821Z-M1-R-B-04A-D033-JZ6

COMBI-PERSONAL, GROUP 1 MASTER KEY SYSTEM, RIGHT VERSION, 16-20mm WOOD THICKNESS, BLACK (MATT) FINISH, D033 LOCKING PIN TYPE, 180° CLOCKWISE ROTARY MOVEMENT.

私用-密码锁, 1组主密匙系统, 右款, 16-20毫米木材厚度, 黑色(表面), D033款锁门, 180° 顺时针旋转.

## NOTE / 备注

\* FOR PRODUCT WITH NICKEL FINISH (01K), THE LOCK WILL COME WITH NICKEL HOUSING AND SATIN-CHROME HANDLE. 产品用镍材质 (01K), 镍外壳和镀铬把手

## TN WOOD THICKNESS / 木材厚度

CODE 代码	WOOD THICKNESS 木材厚度	FIXING PLATE 固定板	FIXING PLATE SCREW 固定板螺丝钉
B	16-20mm	R346-91	I101 (M3.5 x 16)
C	20-24mm	R346-91	I101 (M3.5 x 16)
D	24-30mm	R346-91	I102 (M3.5 x 25)
E	30-36mm	R346-91	I103 (M3.5 x 30)

## TD TURNING DIRECTION / 钥匙转动方向

KZ6 LEFT VERSION  
左款

JZ6 RIGHT VERSION  
右款



FROM LOCK TO UNLOCK POSITION  
从关到开位置

J: CLOCKWISE / 顺时针方向

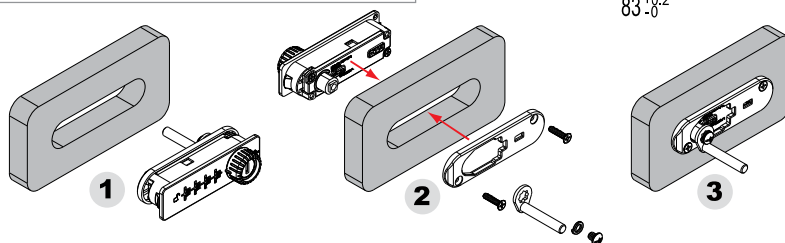
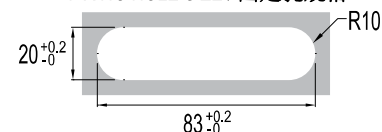
K: COUNTER-CLOCKWISE / 逆时针方向

## FIXING DETAILS / 安装细节



ACCESSORIES 配件	*CUSTOMER SPECIFIED 客户指定		
G002	CODE 代码	mm 毫米	SCREW 螺丝
DK021 *DA____ BAR = 500mm 棒=500毫米	DA015	6	I028
	DA016	8	DU103
	DA017	9	I006
	DA017	13	I006
	DA017	25.5	DU048
	DA047	23	DU083
	DA047	17	I006

## FIXING HOLE SIZE / 固定孔规格



ALL MEASUREMENTS: mm / 测量单位为毫米



# FOR WOODEN CABINET

木材柜专用

## ROLLER SHUTTER CABINET LOCK

卷帘门柜锁

PERSONAL / 私人 NO. **821Z-C46**

PUBLIC / 公用 NO. **822Z-C46**

**VS** VERSION / 款式

**VL** LEFT / 左



■ **821Z-VL-C46**  
■ **822Z-VL-C46**

**VR** RIGHT / 右



■ **821Z-VR-C46**  
■ **822Z-VR-C46**

### SPECIFICATIONS / 产品说明

- KEYLESS OPERATION  
不需要钥匙来锁定和解锁
- 2-IN-1 SYSTEM, ONE SMART LOCK THAT FEATURES PERSONAL & PUBLIC FUNCTIONS  
突出私用和公用功能的二合一系统智能锁
- CODE SETTING WITHOUT TOOLS  
设置新密码不需要工具
- CODE FINDING FROM THE FRONT BY RECOVERY KEY  
恢复密钥参考前面的代码
- ZINC ALLOY DIE CAST HOUSING  
锌合金外壳
- HANDLE KNOB OFFERS DISTINCTIVE FEEL WHILE TURNING  
转动钥匙手柄时有独特的手感
- 200 DIFFERENT KEY CHANGES FOR SERVICE CYLINDERS  
有200位数字密码可随意更改
- 10 GROUPS OF MASTER KEYS SYSTEM AVAILABLE  
10组主密钥

### A SET INCLUDES / 配套工具

- 1 LOCK / 1 把锁
- 1 RECOVERY TOOL (FOR COMBI-PERSONAL ONLY)  
1 个密码恢复工具 (只针对私用)
- 1 RECOVERY KEY (FOR KEYED DIFFERENT ONLY, NOT SUPPLIED WITH KEYED ALIKE)  
1 份恢复密钥 (仅供不同锁使用, 不能共用)
- 1 FIXING PLATE (R346) / 1 块固定板 (R346)
- 2 FIXING PLATE SCREWS / 2 颗固定板螺丝
- 1 L-BRACKET (DK405) / 1 个L型支架 (DK405)
- 2 L-BRACKET SCREWS (I082) / 2 颗L型支架螺丝 (I082)

### FN FINISH / 颜色

- 01K NICKEL / 镍色\*
- 04A BLACK (MATT) / 黑色 (表面)
- 14 WHITE / 白色
- 27 SATIN-NICKEL / 磨砂镍黄色
- 28 SATIN-CHROME / 磨砂铬黄色

### PRODUCT CODE / 产品代码

**821Z-M**\_\_-**VS**-**TN**-**FN**-**C46**-**TD**

**822Z-M**\_\_-**VS**-**TN**-**FN**-**C46**-**TD**

### ORDERING EXAMPLE & EXPLANATION

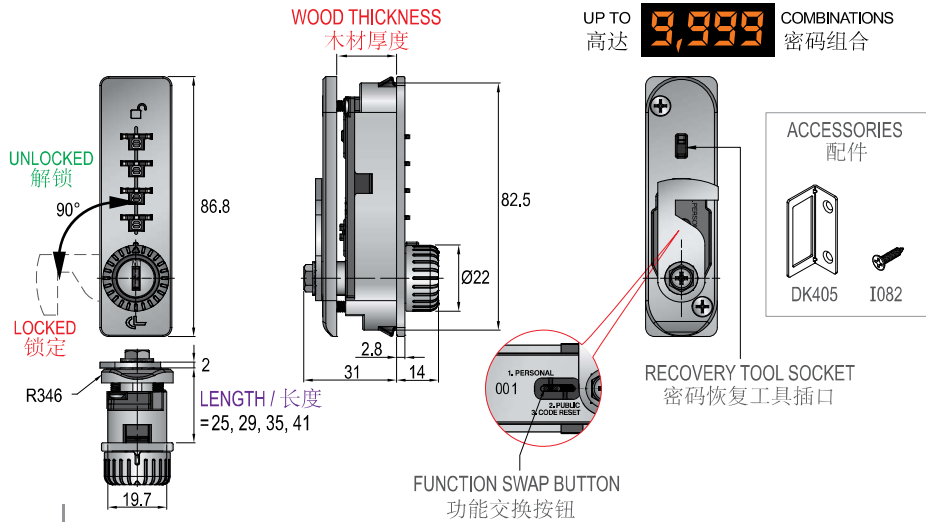
#### 样品和说明

■ 821Z-M1-VR-E-04A-C46-J9Z  
COMBI-PERSONAL, GROUP 1 MASTER KEY SYSTEM, RIGHT VERSION, 30-36mm WOOD THICKNESS, BLACK (MATT) FINISH, C46 CAM TYPE, 90° CLOCKWISE ROTARY CAM MOVEMENT.

私用-密码锁, 1组主密钥系统, 右款, 30-36毫米木材厚度, 黑色(表面), C46款锁芯, 90° 顺时针旋转锁的把手。

### NOTE / 备注

\* FOR PRODUCT WITH NICKEL FINISH (01K), THE LOCK WILL COME WITH NICKEL HOUSING AND SATIN-CHROME HANDLE.  
产品用镍材质 (01K), 镍外壳和镀铬把手



### TN WOOD THICKNESS / 木材厚度

CODE 代码	WOOD THICKNESS 木材厚度	FIXING PLATE 固定板	FIXING PLATE SCREW 固定板螺丝钉
<b>B</b>	16-20mm	R346-91	I101 (M3.5 x 16)
<b>C</b>	20-24mm	R346-91	I101 (M3.5 x 16)
<b>D</b>	24-30mm	R346-91	I102 (M3.5 x 25)
<b>E</b>	30-36mm	R346-91	I103 (M3.5 x 30)

### TD TURNING DIRECTION / 钥匙转动方向

**K3Z** LEFT VERSION  
左款

**J9Z** RIGHT VERSION  
右款

**K63** LEFT VERSION  
左款

**J69** RIGHT VERSION  
右款

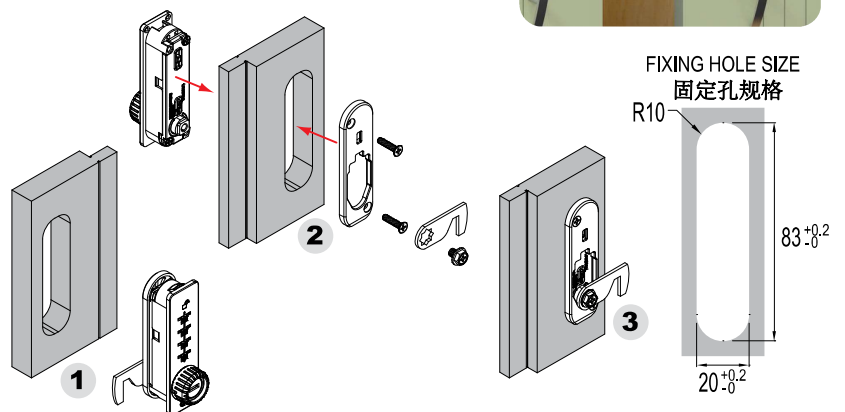


FROM LOCK TO UNLOCK POSITION  
从关到开位置

J : CLOCKWISE / 顺时针方向

K : COUNTER-CLOCKWISE / 逆时针方向

### FIXING DETAILS / 安装细节



ALL MEASUREMENTS : mm / 测量单位为毫米

# FOR WOODEN CABINET

木材柜专用

## SLIDING DOOR CABINET LOCK

滑动式门锁

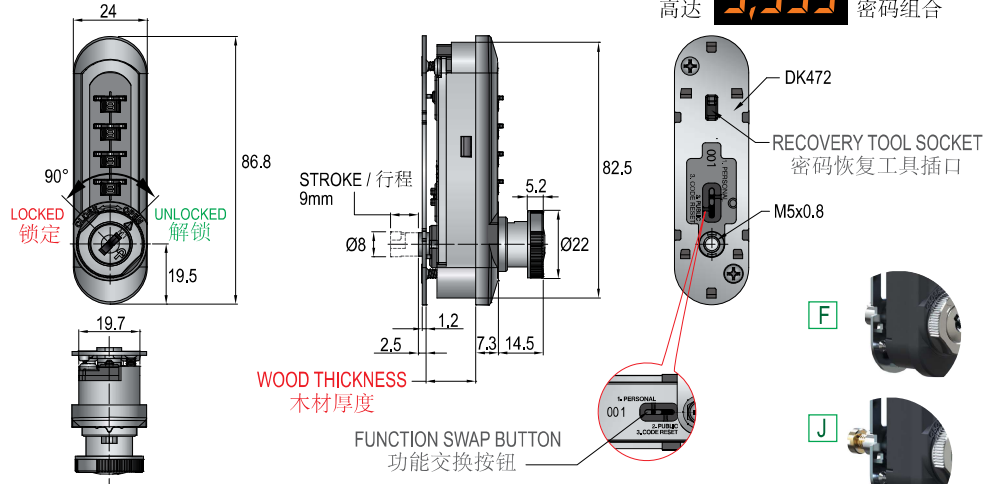
PERSONAL / 私人 NO. **823-V**

PUBLIC / 公用 NO. **824-V**



■ 823-V  
■ 824-V

V VERTICAL VERSION / 垂直款



UP TO 高达 **9,999** COMBINATIONS 密码组合

### SPECIFICATIONS / 产品说明

- KEYLESS OPERATION  
不需要钥匙来锁定和解锁
- 2-IN-1 SYSTEM, ONE SMART LOCK THAT FEATURES PERSONAL & PUBLIC FUNCTIONS  
突出私用和公用功能的二合一系统智能锁
- CODE SETTING WITHOUT TOOLS  
设置新密码不需要工具
- CODE FINDING FROM THE FRONT BY RECOVERY KEY  
恢复密钥参考前面的代码
- PLASTIC HOUSING  
塑胶外壳
- 200 DIFFERENT KEY CHANGES FOR SERVICE CYLINDERS  
有200位数字密码可随意更改
- 10 GROUPS OF MASTER KEYS SYSTEM AVAILABLE  
10组主密钥

### A SET INCLUDES / 配套工具

- 1 LOCK / 1 把锁
- 1 RECOVERY TOOL (FOR COMBI-PERSONAL ONLY)  
1 个密码恢复工具 (只针对私用)
- 1 RECOVERY KEY (FOR KEYED DIFFERENT ONLY, NOT SUPPLIED WITH KEYED ALIKE)  
1 份恢复密钥 (仅供不同锁使用, 不能共用)
- 1 FIXING PLATE (DK472) / 1 块固定板 (DK472)
- 2 FIXING PLATE SCREWS (I084) / 2 个固定板螺丝 (I084)

### FN FINISH / 颜色

- 66 WHITE / 白色
- 91 BLACK / 黑色

### PRODUCT CODE / 产品代码

**823-M\_\_-V-TN-FN**

**824-M\_\_-V-TN-FN**

### ORDERING EXAMPLE & EXPLANATION 样品和说明

■ 823-M1-V-F-91

COMBI-PERSONAL, GROUP 1 MASTER KEY SYSTEM, VERTICAL VERSION, 16mm WOOD THICKNESS, BLACK FINISH.

私用-密码锁, 1组主密钥系统, 垂直款, 16毫米木材厚度, 黑色.

■ 824-M1-V-J-91

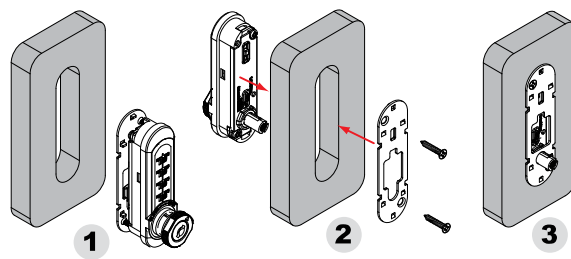
COMBI-PUBLIC, GROUP 1 MASTER KEY SYSTEM, VERTICAL VERSION, 19mm WOOD THICKNESS, BLACK FINISH.

公用-密码锁, 1组主密钥系统, 垂直款, 19毫米木材厚度, 黑色.

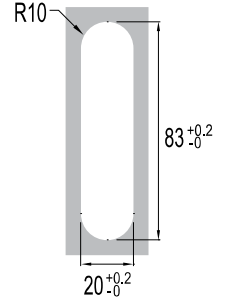
### TN WOOD THICKNESS / 木材厚度

CODE 代码	WOOD THICKNESS 木材厚度	FIXING PLATE 固定板	FIXING PLATE SCREW 固定板螺丝钉
F	16mm	DK472	I084 (M3 x 19)
J	19mm	DK472	I084 (M3 x 19)

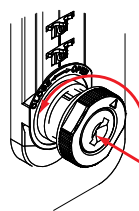
### FIXING DETAILS / 安装细节



### FIXING HOLE SIZE 固定孔规格

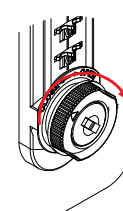


### OPERATING INSTRUCTIONS / 操作指南



#### ■ TO LOCK / 锁定

1. PUSH THE KNOB AND TURN 90° COUNTER-CLOCKWISE.  
按下按钮逆时针旋转90°



#### ■ TO UNLOCK / 解锁

1. TURN THE KNOB 90° CLOCKWISE (THE KNOB WILL COME OUT AUTOMATICALLY).  
顺时针旋转90° (自动弹出)

ALL MEASUREMENTS : mm / 测量单位为毫米

# FOR WOODEN CABINET

木材柜专用

## MOBILE PEDESTAL CABINET LOCK 移动底座柜锁

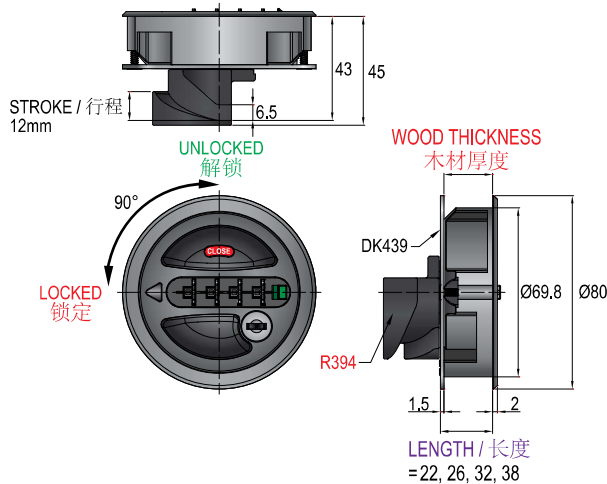
PERSONAL / 私用 NO. **831-R-R394**

PUBLIC / 公用 NO. **832-R-R394**



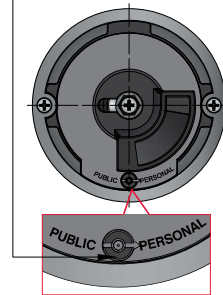
■ **831-R-R394**  
■ **832-R-R394**

**R** ONLY RIGHT VERSION AVAILABLE  
仅有右边的款式



UP TO 高达 **9,999** COMBINATIONS 密码组合

FUNCTION SWAP BUTTON (180° ROTATION)  
功能交换按钮 (180° 旋转)



### SPECIFICATIONS / 产品说明

- KEYLESS OPERATION  
不需要钥匙来锁定和解锁
- 2-IN-1 SYSTEM, ONE SMART LOCK THAT FEATURES PERSONAL & PUBLIC FUNCTIONS  
突出私用和公用功能的二合一系统智能锁
- CODE SETTING WITHOUT TOOLS  
设置新密码不需要工具
- CODE FINDING FROM THE FRONT BY RECOVERY KEY  
恢复密码参考前面的代码
- PLASTIC HOUSING  
塑胶外壳
- 200 DIFFERENT KEY CHANGES FOR SERVICE CYLINDERS  
有200位数字密码可随意更改
- 10 GROUPS OF MASTER KEYS SYSTEM AVAILABLE  
10组主密钥

### A SET INCLUDES / 配套工具

- 1 LOCK / 1 把锁
- 1 RECOVERY KEY (FOR KEYED DIFFERENT ONLY, NOT SUPPLIED WITH KEYED ALIKE)  
1 份恢复密匙 (仅供不同锁使用, 不能共用)
- 1 FIXING PLATE (DK439) / 1 块固定板 (DK439)
- 2 FIXING PLATE SCREWS / 2 个固定板螺丝
- 1 BAR-LIFTER (R394) / 1 升降杆 (R394)
- 1 SET OF G539 ALUMINIUM BAR ACCESSORIES  
1 套铝杆配件 (G539)

### FN FINISH / 颜色

- 66 WHITE / 白色
- 91 BLACK / 黑色

### PRODUCT CODE / 产品代码

**831-M\_\_-R-**TN**-**FN**-R394-**TD****

**832-M\_\_-R-**TN**-**FN**-R394-**TD****

### ORDERING EXAMPLE & EXPLANATION

#### 样品和说明

■ 831-M1-R-C-91-R394-J9Z  
COMBI-PERSONAL, GROUP 1 MASTER KEY SYSTEM, RIGHT VERSION, 20-24mm WOOD THICKNESS, BLACK FINISH, R394 BAR-LIFTER TYPE, 90° CLOCKWISE ROTARY MOVEMENT.  
私用-密码锁, 1组主密钥系统, 右款, 20-24毫米木材厚度, 黑色, R394 型升降杆, 90° 顺时针旋转。

### TN WOOD THICKNESS / 木材厚度

CODE 代码	WOOD THICKNESS 木材厚度	FIXING PLATE 固定板	FIXING PLATE SCREW 固定板螺丝钉
<b>B</b>	16-20mm	DK439	I083 (M3 x 16)
<b>C</b>	20-24mm	DK439	I084 (M3 x 19)
<b>D</b>	24-30mm	DK439	I090 (M3 x 28)
<b>E</b>	30-36mm	DK439	I091 (M3 x 33)

### TD TURNING DIRECTION / 钥匙旋转方向

**J9Z** RIGHT VERSION 右款

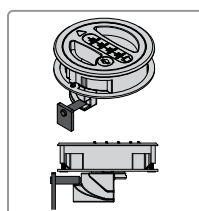


FROM LOCK TO UNLOCK POSITION  
从关到开的位置

**J**: CLOCKWISE / 顺时针方向

**K**: COUNTER-CLOCKWISE / 逆时针方向

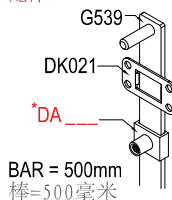
SEE FIXING DETAILS NEXT PAGE  
安装细节见下一页



RIGHT VERSION FIXING  
右款

ALL MEASUREMENTS : mm / 测量单位为毫米

### ACCESSORIES 配件



### \*CUSTOMER SPECIFIED 客户指定

CODE 代码	mm 毫米	SCREW 螺丝
DA015	6	I028
	8	DU103
DA016	9	I006
	13	I006
DA017	25.5	DU048
	23	DU083
DA047	17	I006





# FOR WOODEN CABINET

木材柜专用

ANTI-TILT LOCK

防倾斜锁

PERSONAL / 私有 NO. **831-R-DA374-AS003+(ANTI-TILT)**

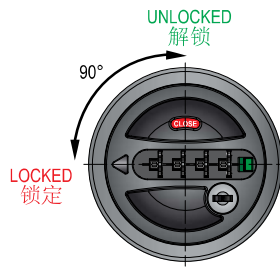
PUBLIC / 公用 NO. **832-R-DA374-AS003+(ANTI-TILT)**

UP TO 高达 **9,999** COMBINATIONS 密码组合

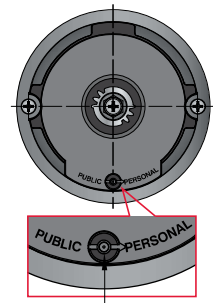
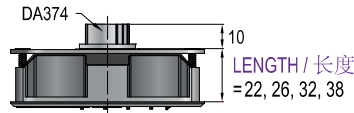
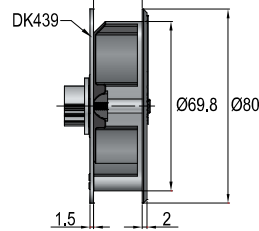


■ **831-R-DA374-AS003+(ANTI-TILT)**  
■ **832-R-DA374-AS003+(ANTI-TILT)**

**R** ONLY RIGHT VERSION AVAILABLE  
仅有右边的款式



WOOD THICKNESS 木材厚度



FUNCTION SWAP BUTTON (180° ROTATION)  
功能交换按钮 (180° 旋转)

## SPECIFICATIONS / 产品说明

- KEYLESS OPERATION  
不需要钥匙来锁定和解锁
- 2-IN-1 SYSTEM, ONE SMART LOCK THAT FEATURES PERSONAL & PUBLIC FUNCTIONS  
突出私用和公用功能的二合一系统智能锁
- CODE SETTING WITHOUT TOOLS  
设置新密码不需要工具
- CODE FINDING FROM THE FRONT BY RECOVERY KEY  
恢复密码参考前面的代码
- PLASTIC HOUSING  
塑胶外壳
- 200 DIFFERENT KEY CHANGES FOR SERVICE CYLINDERS  
有200位数密码可随意更改
- 10 GROUPS OF MASTER KEYS SYSTEM AVAILABLE  
10组主密匙

## A SET INCLUDES / 配套工具

- 1 LOCK / 1 把锁
- 1 RECOVERY KEY (FOR KEYED DIFFERENT ONLY, NOT SUPPLIED WITH KEYED ALIKE)  
1份恢复密匙 (仅供不同锁使用, 不能共用)
- 1 FIXING PLATE (DK439) / 1 块固定板 (DK439)
- 2 FIXING PLATE SCREWS / 2 个固定板螺丝
- 1 SET OF AS003 ACCESSORIES / 1 套AS003配件
- 1 SET OF ANTI-TILT ACCESSORIES / 1 套ANTI-TILT配件

## FN FINISH / 颜色

- 66 WHITE / 白色
- 91 BLACK / 黑色

## PRODUCT CODE / 产品代码

**831-M\_\_-R- TN - FN -DA374- TD -AS003+(ANTI-TILT)**

**832-M\_\_-R- TN - FN -DA374- TD -AS003+(ANTI-TILT)**

## ORDERING EXAMPLE & EXPLANATION

### 样品和说明

■ **831-M1-B-91-DA374-J9Z-AS003+(ANTI-TILT)**

COMBI-PERSONAL, GROUP 1 MASTER KEY SYSTEM, RIGHT VERSION, 16-20mm WOOD THICKNESS, BLACK FINISH, DA374 LEVER TYPE, 90° CLOCKWISE ROTARY MOVEMENT, WITH AS003 ACCESSORIES AND ANTI-TILT SET.

私用-密码锁, 1组主密钥系统, 右款, 16-20毫米木材厚度, 黑色, DA374型杆, 90° 顺时针旋转, AS003配件及防倾斜杆.

## TN WOOD THICKNESS / 木材厚度

CODE 代码	WOOD THICKNESS 木材厚度	FIXING PLATE 固定板	FIXING PLATE SCREW 固定板螺丝钉
<b>B</b>	16-20mm	DK439	I083 (M3 x 16)
<b>C</b>	20-24mm	DK439	I084 (M3 x 19)
<b>D</b>	24-30mm	DK439	I090 (M3 x 28)
<b>E</b>	30-36mm	DK439	I091 (M3 x 33)

## TD TURNING DIRECTION / 钥匙旋转方向

**J9Z** RIGHT VERSION 右款



FROM LOCK TO UNLOCK POSITION  
从关到开的位置

**J**: CLOCKWISE / 顺时针方向

**K**: COUNTER-CLOCKWISE / 逆时针方向

SEE FIXING DETAILS NEXT PAGE

安装细节见下一页



ALL MEASUREMENTS : mm / 测量单位为毫米

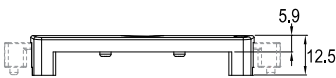
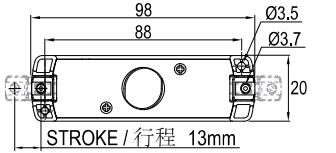
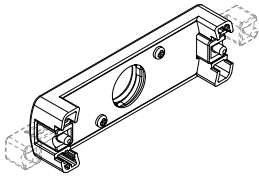
# FIXING DETAILS

安装步骤

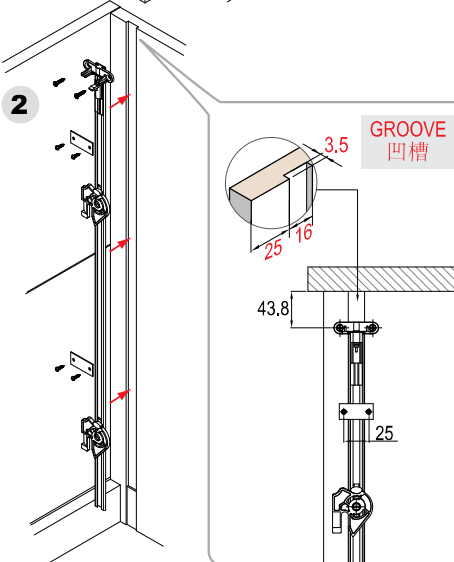
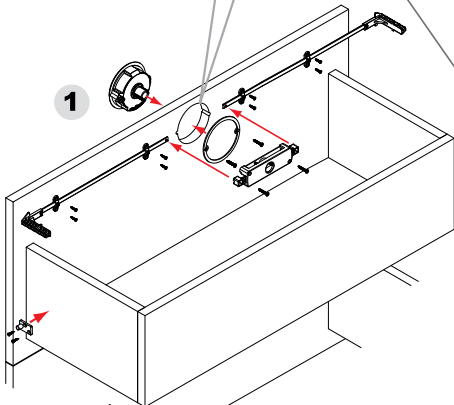
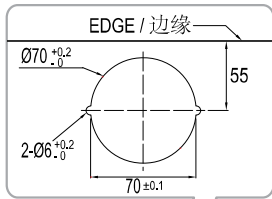
**DRAWER CABINET WITH ANTI-TILT**  
防倾斜抽屉锁

PERSONAL / 私有 NO. **831-R-DA374-AS003+(ANTI-TILT)**  
PUBLIC / 公用 NO. **832-R-DA374-AS003+(ANTI-TILT)**

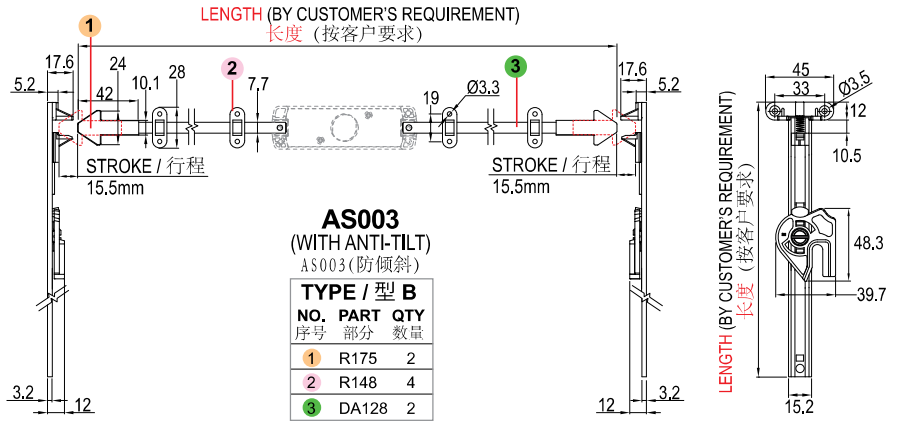
CODE 代码	MATERIAL 材料	FINISH 颜色
AS003	ABS	91 BLACK / 黑色



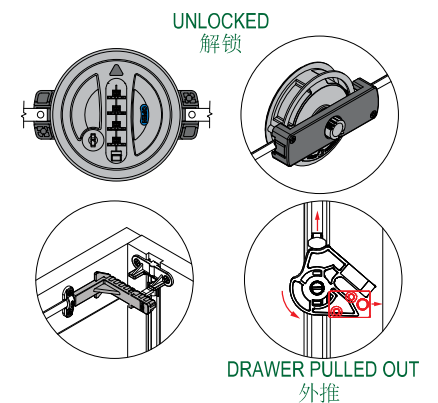
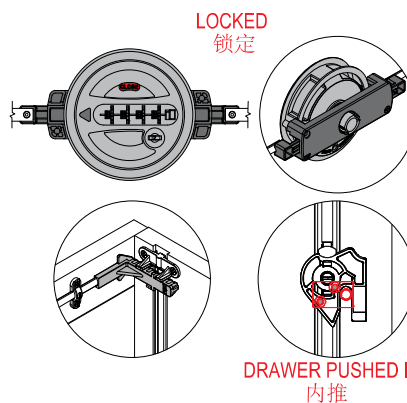
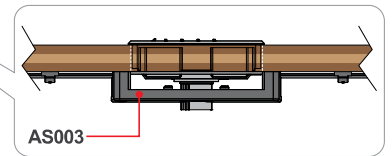
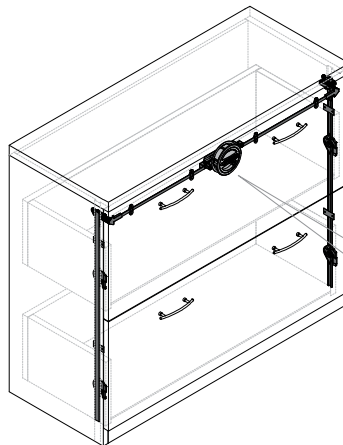
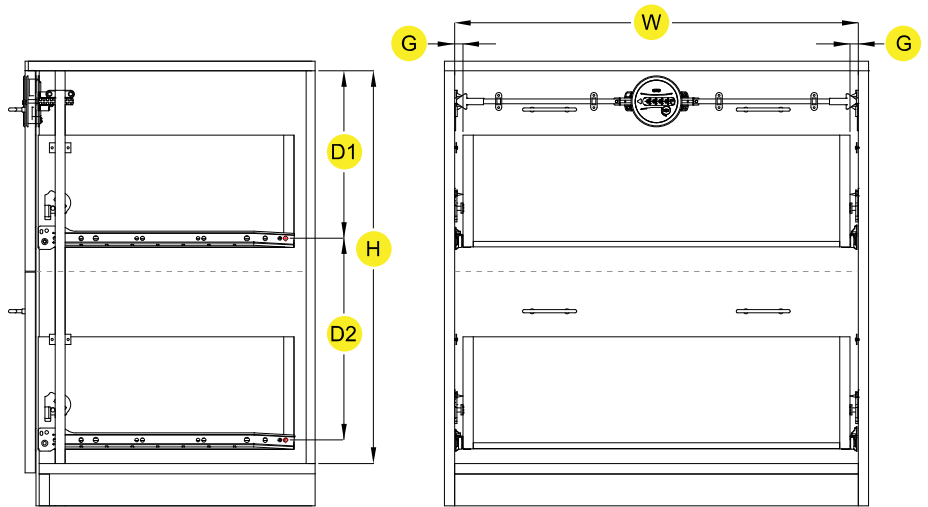
FIXING HOLE SIZE / 固定孔规格



ALL MEASUREMENTS : mm / 测量单位为毫米



REQUIRED MEASUREMENTS FOR ANTI-TILT SYSTEM  
用ANTI-TILT系统测量



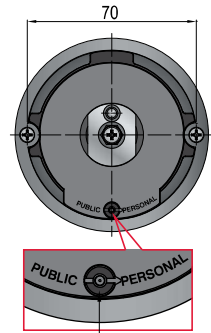
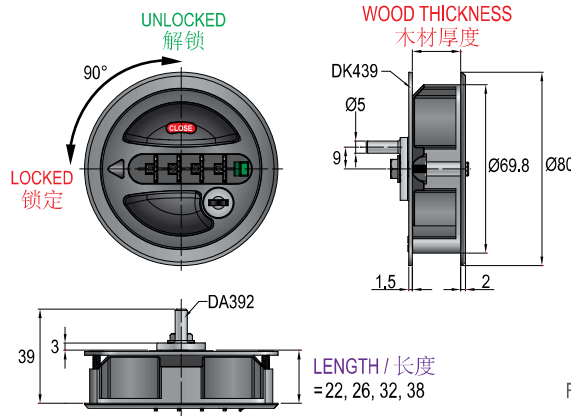


UP TO 高达 **9,999** COMBINATIONS 密码组合



■ **831-R-DA392-AS004+ALUMINIUM BAR**  
■ **832-R-DA392-AS004+ALUMINIUM BAR**

**R** ONLY RIGHT VERSION AVAILABLE  
仅有右边的款式



FUNCTION SWAP BUTTON (180° ROTATION)  
功能交换按钮 (180° 旋转)

**SPECIFICATIONS / 产品说明**

- KEYLESS OPERATION  
不需要钥匙来锁定和解锁
- 2-IN-1 SYSTEM, ONE SMART LOCK THAT FEATURES PERSONAL & PUBLIC FUNCTIONS  
突出私用和公用功能的二合一系统智能锁
- CODE SETTING WITHOUT TOOLS  
设置新密码不需要工具
- CODE FINDING FROM THE FRONT BY RECOVERY KEY  
恢复密码参考前面的代码
- PLASTIC HOUSING  
塑胶外壳
- 200 DIFFERENT KEY CHANGES FOR SERVICE CYLINDERS  
有200位数密码可随意更改
- 10 GROUPS OF MASTER KEYS SYSTEM AVAILABLE  
10组主密匙

**A SET INCLUDES / 配套工具**

- 1 LOCK / 1 把锁
- 1 RECOVERY KEY (FOR KEYED DIFFERENT ONLY, NOT SUPPLIED WITH KEYED ALIKE)  
1份恢复密匙 (仅供不同锁使用, 不能共用)
- 1 FIXING PLATE (DK439) / 1 块固定板 (DK439)
- 2 FIXING PLATE SCREWS / 2 个固定板螺丝
- 1 SET OF AS004 ACCESSORIES / 1 套AS004配件
- 1 SET OF ALUMINIUM BAR ACCESSORIES / 1 套铝杆配件

**FN FINISH / 颜色**

- 66 WHITE / 白色
- 91 BLACK / 黑色

**PRODUCT CODE / 产品代码**

**831-M\_\_-R-**TN**-**FN**-DA392-**TD**-AS004+ALUMINIUM BAR**  
**832-M\_\_-R-**TN**-**FN**-DA392-**TD**-AS004+ALUMINIUM BAR**

**ORDERING EXAMPLE & EXPLANATION**  
**样品和说明**

■ **831-M1-R-E-91-DA392-J9Z-AS004+ALUMINIUM BAR**  
COMBI-PERSONAL, GROUP 1 MASTER KEY SYSTEM, RIGHT VERSION, 30-36mm WOOD THICKNESS, BLACK FINISH, DA392 LOCKING PIN TYPE, 90° CLOCKWISE ROTARY MOVEMENT, WITH AS004 ACCESSORIES AND ALUMINIUM BAR.

私用-密码锁, 1组主密匙系统, 右款, 30-36毫米木材厚度, 黑色, DA392型锁闩, 90° 顺时针旋转, AS004配件及铝棒。

**TN** WOOD THICKNESS / 木材厚度

CODE 代码	WOOD THICKNESS 木材厚度	FIXING PLATE 固定板	FIXING PLATE SCREW 固定板螺丝钉
<b>B</b>	16-20mm	DK439	I083 (M3 x 16)
<b>C</b>	20-24mm	DK439	I084 (M3 x 19)
<b>D</b>	24-30mm	DK439	I090 (M3 x 28)
<b>E</b>	30-36mm	DK439	I091 (M3 x 33)

**TD** TURNING DIRECTION / 钥匙旋转方向

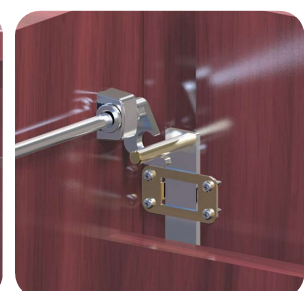
**J9Z** RIGHT VERSION 右款



FROM LOCK TO UNLOCK POSITION  
从关到开的位置

**J**: CLOCKWISE / 顺时针方向  
**K**: COUNTER-CLOCKWISE / 逆时针方向

SEE FIXING DETAILS NEXT PAGE  
安装细节见下一页



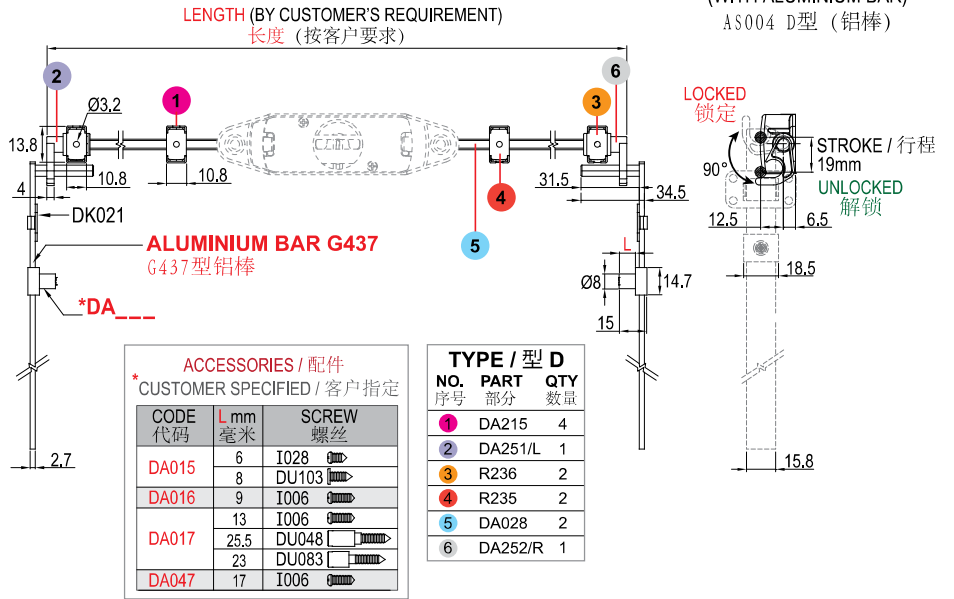
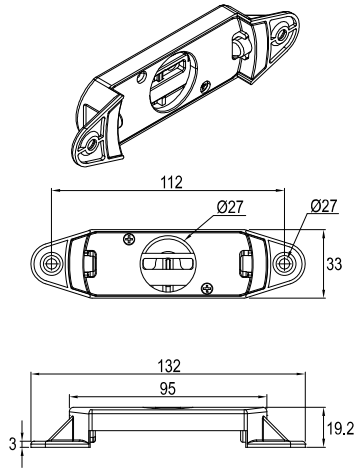
# FIXING DETAILS

安装步骤

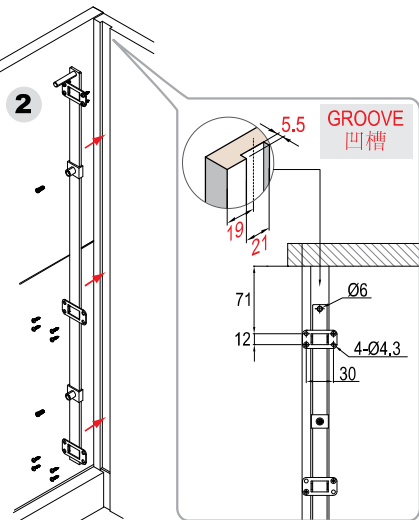
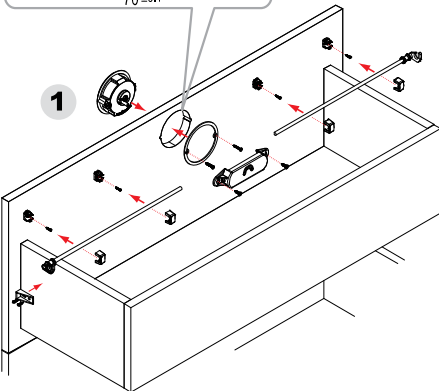
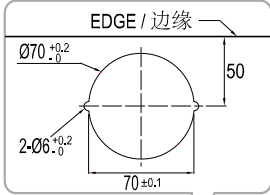
DRAWER CABINET WITH ALUMINIUM BAR  
铝棒抽屉锁

PERSONAL / 私有 NO. **831-R-DA392-AS004+ALUMINIUM BAR**  
PUBLIC / 公用 NO. **832-R-DA392-AS004+ALUMINIUM BAR**

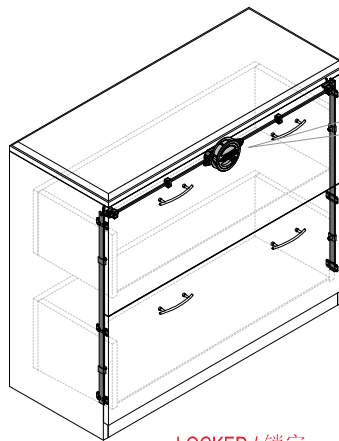
CODE	MATERIAL	FINISH
代码	材料	颜色
AS004	ZINC / 锌	01 NICKEL / 镍色



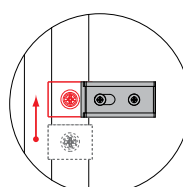
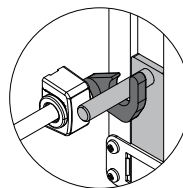
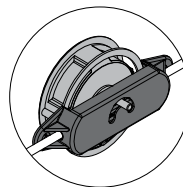
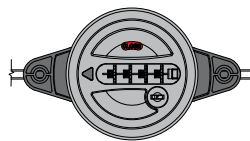
FIXING HOLE SIZE / 固定孔规格



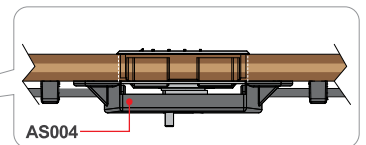
ALL MEASUREMENTS : mm / 测量单位为毫米



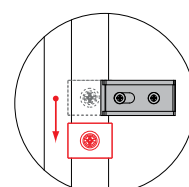
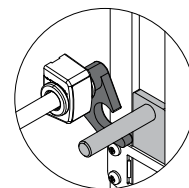
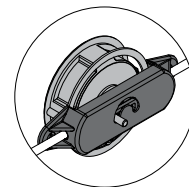
LOCKED / 锁定



DRAWER PUSHED IN  
内推



UNLOCKED / 解锁



DRAWER PULLED OUT  
外推

# FOR WOODEN CABINET

木材柜专用

EXTENDING BAR LOCK

加长杆锁

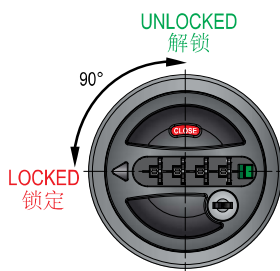
PERSONAL / 私人 NO. **831-R-DA374-AS003+D BAR**

PUBLIC / 公用 NO. **832-R-DA374-AS003+D BAR**

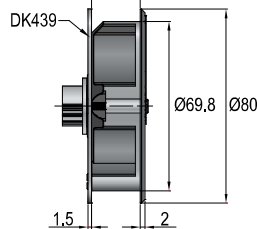


- **831-R-DA374-AS003+D BAR**
- **832-R-DA374-AS003+D BAR**

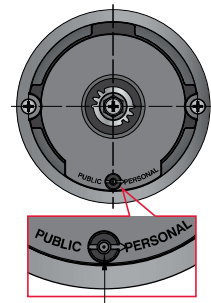
**R** ONLY RIGHT VERSION AVAILABLE  
仅有右边的款式



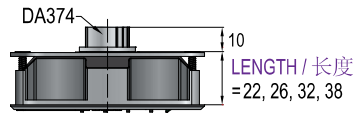
WOOD THICKNESS  
木材厚度



UP TO 高达 **9,999** COMBINATIONS  
密码组合



FUNCTION SWAP BUTTON (180° ROTATION)  
功能交换按钮 (180° 旋转)



LENGTH / 长度  
= 22, 26, 32, 38

## SPECIFICATIONS / 产品说明

- KEYLESS OPERATION  
不需要钥匙来锁定和解锁
- 2-IN-1 SYSTEM, ONE SMART LOCK THAT FEATURES PERSONAL & PUBLIC FUNCTIONS  
突出私用和公用功能的二合一系统智能锁
- CODE SETTING WITHOUT TOOLS  
设置新密码不需要工具
- CODE FINDING FROM THE FRONT BY RECOVERY KEY  
恢复密码参考前面的代码
- PLASTIC HOUSING  
塑胶外壳
- 200 DIFFERENT KEY CHANGES FOR SERVICE CYLINDERS  
有200位数字密码可随意更改
- 10 GROUPS OF MASTER KEYS SYSTEM AVAILABLE  
10组主密匙

## A SET INCLUDES / 配套工具

- 1 LOCK / 1 把锁
- 1 RECOVERY KEY (FOR KEYED DIFFERENT ONLY, NOT SUPPLIED WITH KEYED ALIKE)  
1 份恢复密匙 (仅供不同锁使用, 不能共用)
- 1 FIXING PLATE (DK439) / 1 块固定板 (DK439)
- 2 FIXING PLATE SCREWS / 2 个固定板螺丝
- 1 SET OF AS003 ACCESSORIES / 1 套AS003配件
- 1 SET OF D BAR ACCESSORIES / 1 套D棒配件

## FN FINISH / 颜色

- 66 WHITE / 白色
- 91 BLACK / 黑色

## PRODUCT CODE / 产品代码

**831-M\_\_-R-TN-FN-DA374-TD-AS003+D BAR**

**832-M\_\_-R-TN-FN-DA374-TD-AS003+D BAR**

## ORDERING EXAMPLE & EXPLANATION

### 样品和说明

■ **831-M1-R-B-91-DA374-J9Z-AS003+D BAR**

COMBI-PERSONAL, GROUP 1 MASTER KEY SYSTEM, RIGHT VERSION, 16-20mm WOOD THICKNESS, BLACK FINISH, DA374 LEVER TYPE, 90° CLOCKWISE ROTARY MOVEMENT, WITH AS003 ACCESSORIES AND D BAR SET.

私用-密码锁, 1组主密钥系统, 右款, 16-20毫米木材厚度, 黑色, DA374型杆, 90° 顺时针旋转, AS003配件及D型杆组件.

## TN WOOD THICKNESS / 木材厚度

CODE 代码	WOOD THICKNESS 木材厚度	FIXING PLATE 固定板	FIXING PLATE SCREW 固定板螺丝钉
<b>B</b>	16-20mm	DK439	I083 (M3 x 16)
<b>C</b>	20-24mm	DK439	I084 (M3 x 19)
<b>D</b>	24-30mm	DK439	I090 (M3 x 28)
<b>E</b>	30-36mm	DK439	I091 (M3 x 33)

## TD TURNING DIRECTION / 钥匙旋转方向

**J9Z** RIGHT VERSION  
右款



FROM LOCK TO UNLOCK POSITION  
从关到开的位置

J : CLOCKWISE / 顺时针方向

K : COUNTER-CLOCKWISE / 逆时针方向

SEE FIXING DETAILS NEXT PAGE

安装细节见下一页



SUITABLE FOR **INSET** CABINET DOOR  
适用于嵌入式橱窗门

ALL MEASUREMENTS : mm / 测量单位为毫米



# FIXING DETAILS

安装步骤

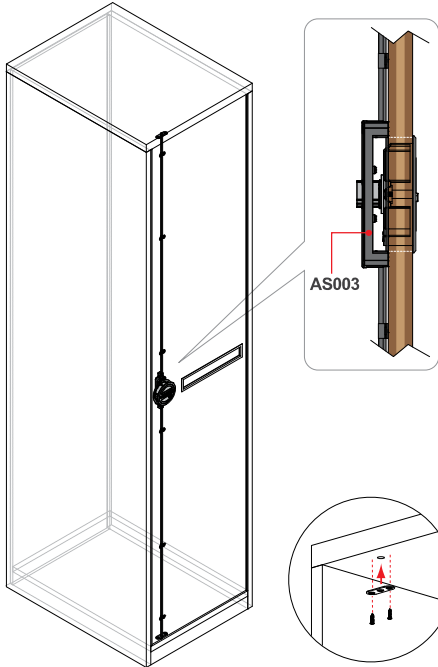
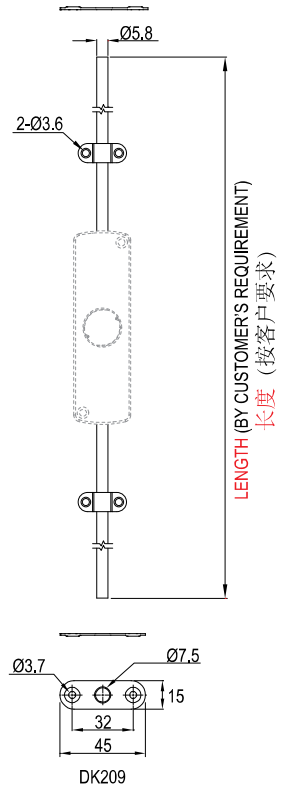
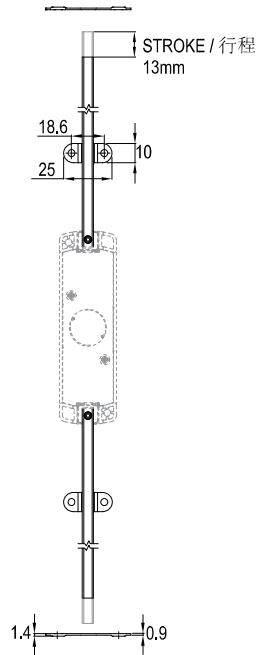
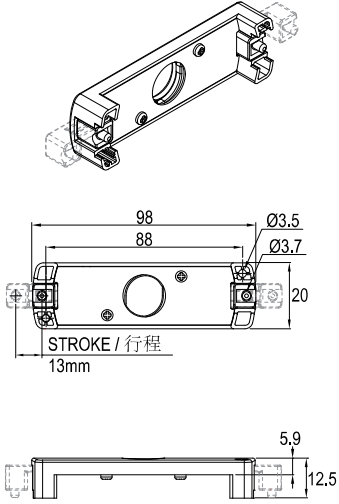
CABINET WITH D BAR  
D 型加长杆锁

PERSONAL / 私用 NO. **831-R-DA374-AS003+D BAR**

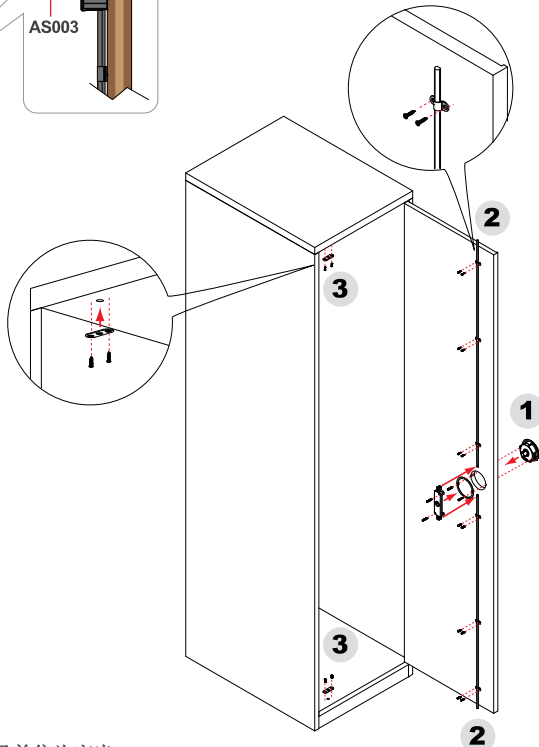
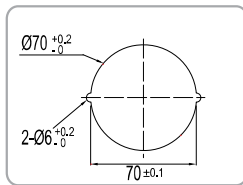
PUBLIC / 公用 NO. **832-R-DA374-AS003+D BAR**

SUITABLE FOR **INSET** CABINET DOOR  
适用于嵌入式橱窗门

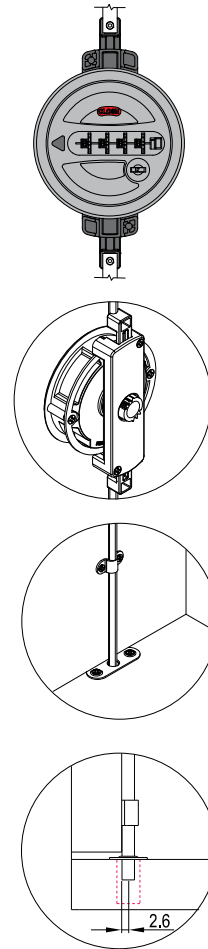
CODE 代码	MATERIAL 材料	FINISH 颜色
AS003	ABS	91 BLACK / 黑色



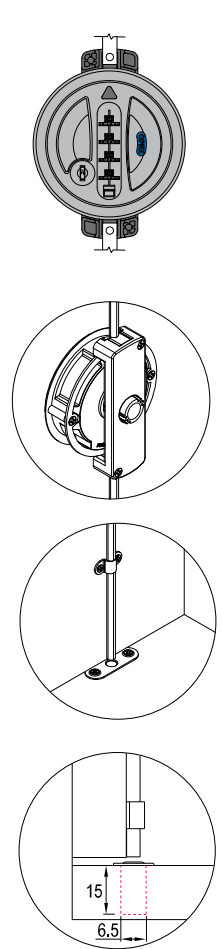
FIXING HOLE SIZE / 固定孔规格



LOCKED  
锁定



UNLOCKED  
解锁



ALL MEASUREMENTS : mm / 测量单位为毫米

# FOR WOODEN CABINET

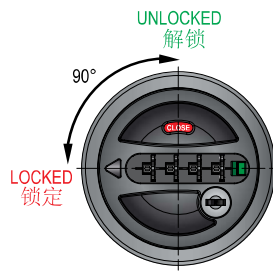
木材柜专用

EXTENDING BAR LOCK

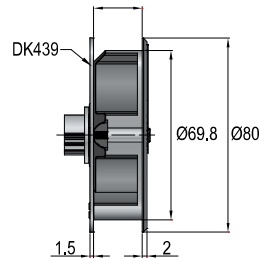
加长杆锁

PERSONAL / 私有 NO. **831-R-DA374-AS002-AS003+D BAR**

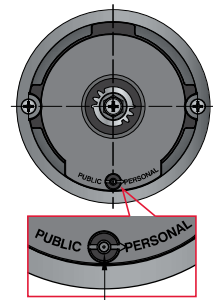
PUBLIC / 公用 NO. **832-R-DA374-AS002-AS003+D BAR**



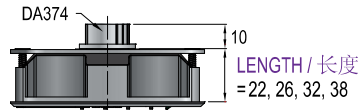
WOOD THICKNESS  
木材厚度



UP TO 高达 **9,999** COMBINATIONS  
密码组合



FUNCTION SWAP BUTTON (180° ROTATION)  
功能交换按钮 (180° 旋转)



■ **831-R-DA374-AS002-AS003+D BAR**

■ **832-R-DA374-AS002-AS003+D BAR**

**R** ONLY RIGHT VERSION AVAILABLE  
仅有右边的款式

## SPECIFICATIONS / 产品说明

- KEYLESS OPERATION  
不需要钥匙来锁定和解锁
- 2-IN-1 SYSTEM, ONE SMART LOCK THAT FEATURES PERSONAL & PUBLIC FUNCTIONS  
突出私有和公用功能的二合一系统智能锁
- CODE SETTING WITHOUT TOOLS  
设置新密码不需要工具
- CODE FINDING FROM THE FRONT BY RECOVERY KEY  
恢复密码参考前面的代码
- PLASTIC HOUSING  
塑胶外壳
- 200 DIFFERENT KEY CHANGES FOR SERVICE CYLINDERS  
有200位数密码可随意更改
- 10 GROUPS OF MASTER KEYS SYSTEM AVAILABLE  
10组主密匙

## A SET INCLUDES / 配套工具

- 1 LOCK / 1 把锁
- 1 RECOVERY KEY (FOR KEYED DIFFERENT ONLY, NOT SUPPLIED WITH KEYED ALIKE)  
1份恢复密匙 (仅供不同锁使用, 不能共用)
- 1 FIXING PLATE (DK439) / 1块固定板 (DK439)
- 2 FIXING PLATE SCREWS / 2个固定板螺丝
- 2 EXTENSION BOLTS (AS002) / 2个附加门栓 (AS002)
- 1 SET OF AS003 ACCESSORIES / 1套AS003配件
- 1 SET OF D BAR ACCESSORIES / 1套D棒配件

## FN FINISH / 颜色

- 66 WHITE / 白色
- 91 BLACK / 黑色

## PRODUCT CODE / 产品代码

**831-M\_\_-R-TN-FN-DA374-TD-AS002-AS003+D BAR**

**832-M\_\_-R-TN-FN-DA374-TD-AS002-AS003+D BAR**

## ORDERING EXAMPLE & EXPLANATION

### 样品和说明

■ **831-M1-R-B-91-DA374-J9Z-AS002-AS003+D BAR**

COMBI-PERSONAL, GROUP 1 MASTER KEY SYSTEM, RIGHT VERSION, 16-20mm WOOD THICKNESS, BLACK FINISH, DA374 LEVER TYPE, 90° CLOCKWISE ROTARY MOVEMENT, WITH AS002, AS003 ACCESSORIES AND D BAR SET.

私有-密码锁, 1组主密钥系统, 右款, 16-20毫米木材厚度, 黑色, DA374型杆, 90° 顺时针旋转, AS002, AS003配件及D型杆组件。

## TN WOOD THICKNESS / 木材厚度

CODE 代码	WOOD THICKNESS 木材厚度	FIXING PLATE 固定板	FIXING PLATE SCREW 固定板螺丝钉
<span style="border: 1px solid green; padding: 2px;">B</span>	16-20mm	DK439	I083 (M3 x 16)
<span style="border: 1px solid green; padding: 2px;">C</span>	20-24mm	DK439	I084 (M3 x 19)
<span style="border: 1px solid green; padding: 2px;">D</span>	24-30mm	DK439	I090 (M3 x 28)
<span style="border: 1px solid green; padding: 2px;">E</span>	30-36mm	DK439	I091 (M3 x 33)

## TD TURNING DIRECTION / 钥匙旋转方向

J9Z RIGHT VERSION  
右款



FROM LOCK TO UNLOCK POSITION  
从关到开的位置

J : CLOCKWISE / 顺时针方向

K : COUNTER-CLOCKWISE / 逆时针方向

SEE FIXING DETAILS NEXT PAGE

安装细节见下一页



SUITABLE FOR OVERLAY CABINET DOOR AND INSET CABINET DOOR  
适用于覆盖式和嵌入式橱窗门

ALL MEASUREMENTS : mm / 测量单位为毫米

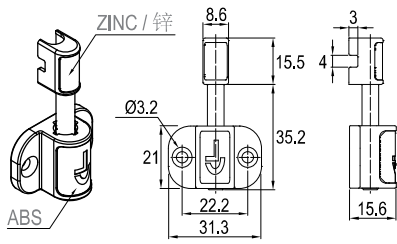
# FIXING DETAILS

安装步骤

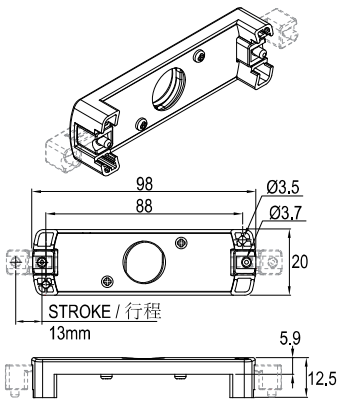
CABINET WITH D BAR  
D 型加长杆锁

PERSONAL / 私人 NO. **831-R-DA374-AS002-AS003+D BAR**  
PUBLIC / 公用 NO. **832-R-DA374-AS002-AS003+D BAR**

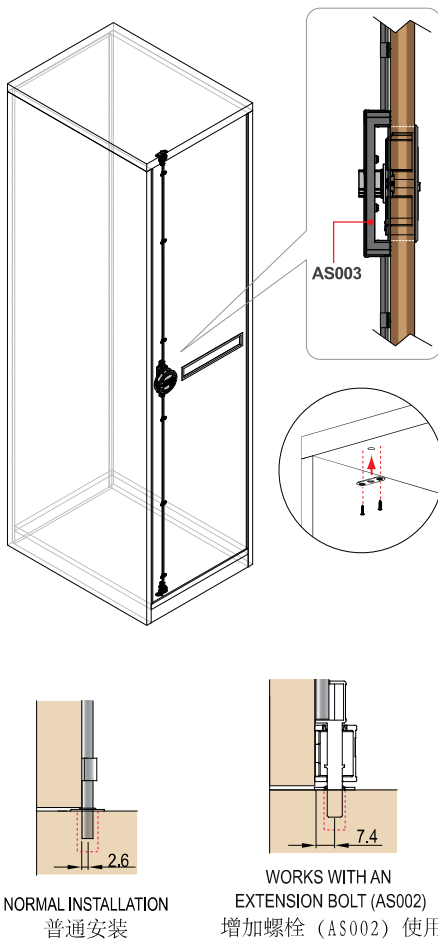
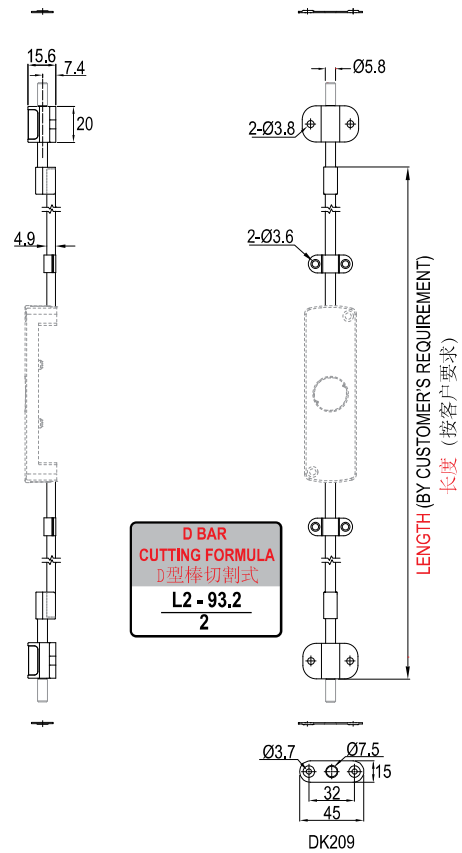
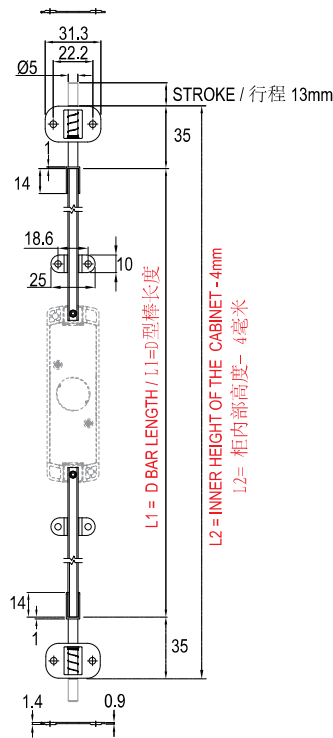
CODE	FINISH
代码	颜色
AS002	94 GRAY / 灰色



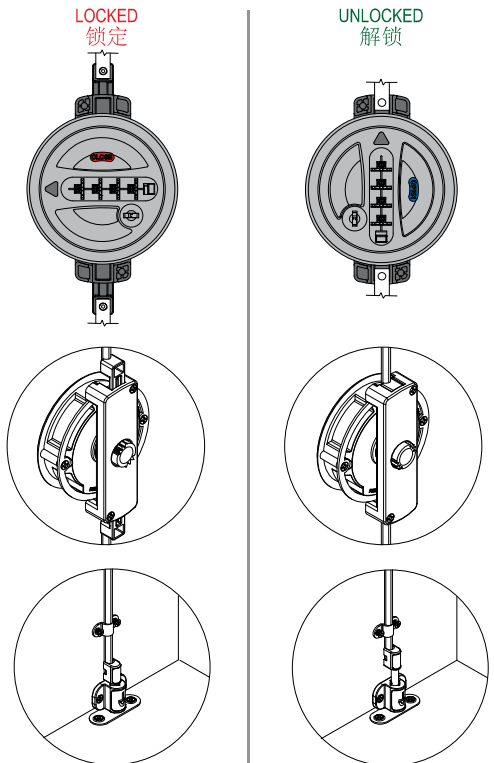
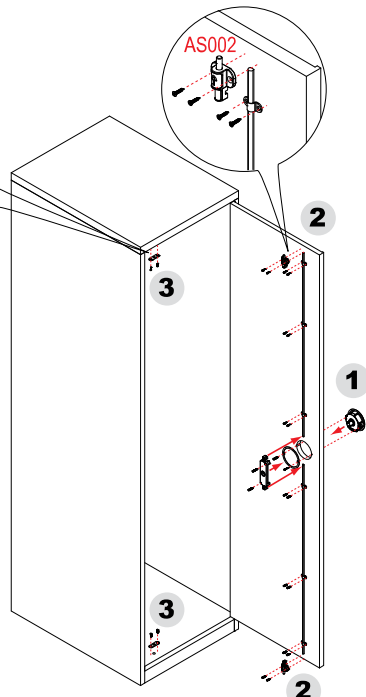
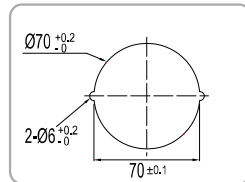
CODE	MATERIAL	FINISH
代码	材料	颜色
AS003	ABS	91 BLACK / 黑色



SUITABLE FOR OVERLAY CABINET DOOR AND INSET CABINET DOOR  
适用于覆盖式和嵌入式橱窗门



FIXING HOLE SIZE / 固定孔规格



EXTENSION BOLT (AS002) OFFERS BETTER SECURITY THAN REGULAR INSTALLATION, AS THE BOLT IS TO BE LOCATED FURTHER INSIDE WOOD PANEL (ADDS 7.4mm).

附加门栓 (AS002) 比常规安装更安全, 安装更接近木板 (增加7.4毫米)

ALL MEASUREMENTS : mm / 测量单位为毫米



# FOR WOODEN CABINET

木材柜专用

## SLIDING DOOR CABINET LOCK

滑动式门锁

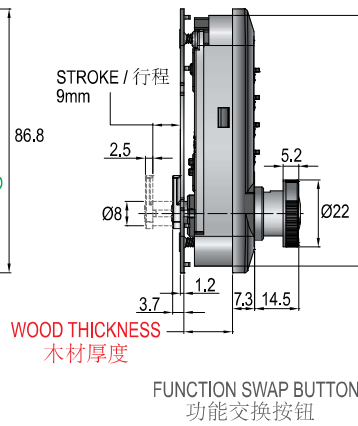
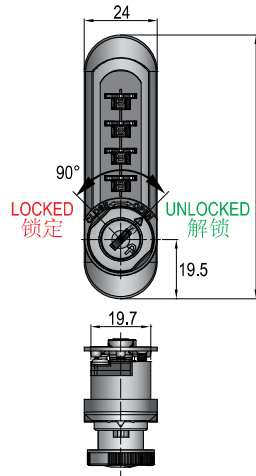
PERSONAL / 私有 NO. **833-V**

PUBLIC / 公用 NO. **834-V**



■ **833-V**  
■ **834-V**

**V** VERTICAL VERSION / 垂直款



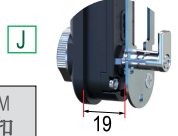
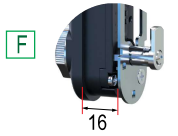
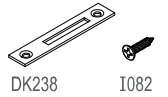
WOOD THICKNESS  
木材厚度

FUNCTION SWAP BUTTON  
功能交换按钮

UP TO 高达 **9,999** COMBINATIONS  
密码组合

RECOVERY TOOL SOCKET  
密码恢复工具插口

ACCESSORIES  
配件



### SPECIFICATIONS / 产品说明

- KEYLESS OPERATION  
不需要钥匙来锁定和解锁
- 2-IN-1 SYSTEM, ONE SMART LOCK THAT FEATURES PERSONAL & PUBLIC FUNCTIONS  
突出私用和公用功能的二合一系统智能锁
- CODE SETTING WITHOUT TOOLS  
设置新密码不需要工具
- CODE FINDING FROM THE FRONT BY RECOVERY KEY  
恢复密钥参考前面的代码
- PLASTIC HOUSING  
塑胶外壳
- 200 DIFFERENT KEY CHANGES FOR SERVICE CYLINDERS  
有200位数密码可随意更改
- 10 GROUPS OF MASTER KEYS SYSTEM AVAILABLE  
10组主密匙

### A SET INCLUDES / 配套工具

- 1 LOCK / 1 把锁
- 1 RECOVERY TOOL (FOR COMBI-PERSONAL ONLY)  
1 个密码恢复工具 (只针对私用)
- 1 RECOVERY KEY (FOR KEYED DIFFERENT ONLY, NOT SUPPLIED WITH KEYED ALIKE)  
1 份恢复密匙 (仅供不同锁使用, 不能共用)
- 1 FIXING PLATE (DK472) / 1 块固定板 (DK472)
- 2 FIXING PLATE SCREWS (I084) / 2 个固定板螺丝 (I084)
- 1 STRIKE PLATE (DK238) / 1 块挡板 (DK238)
- 2 STRIKE PLATE SCREWS (I082) / 2 颗螺丝 (I082)

### FN FINISH / 颜色

- 66 WHITE / 白色
- 91 BLACK / 黑色

### PRODUCT CODE / 产品代码

**833-M\_\_-V-TN-FN**

**834-M\_\_-V-TN-FN**

### ORDERING EXAMPLE & EXPLANATION

#### 样品和说明

■ **833-M1-V-F-91**

COMBI-PERSONAL, GROUP 1 MASTER KEY SYSTEM, VERTICAL VERSION, 16mm WOOD THICKNESS, BLACK FINISH, WITH G546 CAM TYPE.

私用-密码锁, 1组主密钥系统, 垂直款, 16毫米木材厚度, 黑色, 使用G546款锁门。

■ **834-M1-V-J-91**

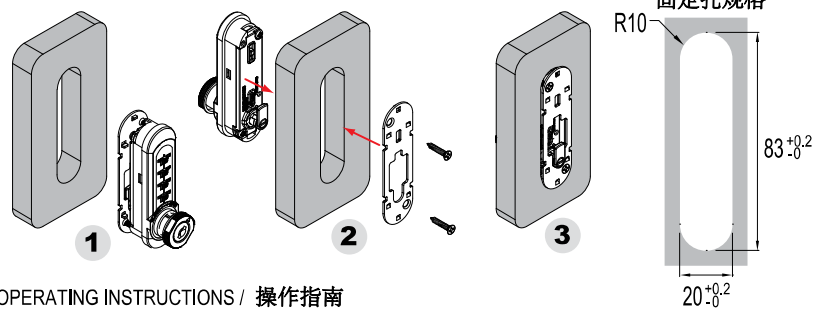
COMBI-PUBLIC, GROUP 1 MASTER KEY SYSTEM, VERTICAL VERSION, 19mm WOOD THICKNESS, BLACK FINISH, WITH G547 CAM TYPE.

公用-密码锁, 1组主密钥系统, 垂直款, 19毫米木材厚度, 黑色, 使用G547款锁门。

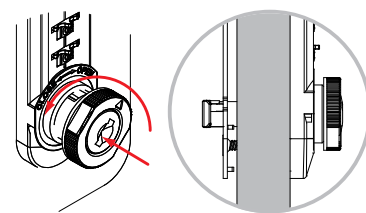
### TN WOOD THICKNESS / 木材厚度

CODE 代码	WOOD THICKNESS 木材厚度	FIXING PLATE 固定板	FIXING PLATE SCREW 固定板螺丝钉	CAM 锁扣
<b>F</b>	16mm	DK472	I084 (M3 x 19)	G546
<b>J</b>	19mm	DK472	I084 (M3 x 19)	G547

### FIXING DETAILS / 安装细节

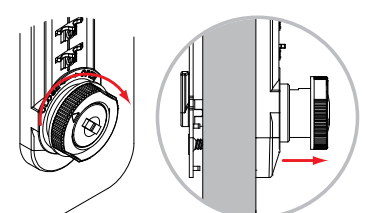


### OPERATING INSTRUCTIONS / 操作指南



#### ■ TO LOCK / 锁定

1. PUSH THE KNOB AND TURN 90° COUNTER-CLOCKWISE.  
按下按钮逆时针旋转90°

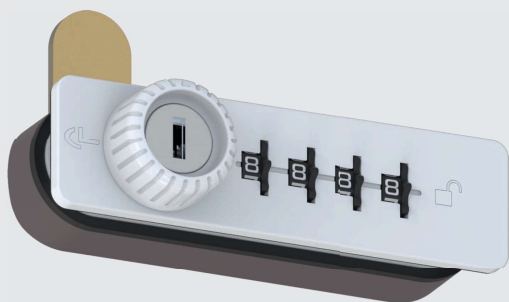


#### ■ TO UNLOCK / 解锁

1. TURN THE KNOB 90° CLOCKWISE (THE KNOB WILL COME OUT AUTOMATICALLY).  
顺时针旋转90° (自动弹出)

ALL MEASUREMENTS : mm / 测量单位为毫米

COMBI |  PERSONAL 私人  
 PUBLIC 公用



FOR  
**GLASS** 玻璃专用

**DOOR CABINET**

AND WOOD THICKNESS OF 4-12mm

适用于柜门和4-12毫米厚的木板



**2-IN-1**  
**SYSTEM**  
 2合1系统



*Digit*

**COMBINATION LOCKS**

4位数密码锁



**FOR GLASS DOOR CABINET & WOOD THICKNESS OF 4-12mm**  
 玻璃专用适用于柜门和4-12毫米厚的木板  
**SINGLE GLASS DOOR CABINET LOCK**  
 单玻璃门柜锁

PERSONAL / 私有 NO. **821-C01**  
 PUBLIC / 公用 NO. **822-C01**

**VS** VERSION / 款式

**L** LEFT / 左

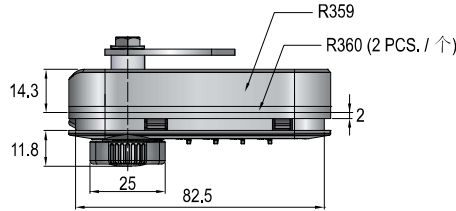
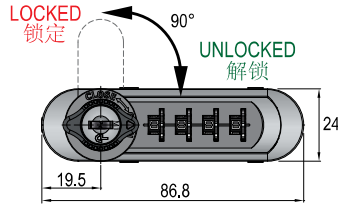


▪ **821-L-C01**  
 ▪ **822-L-C01**

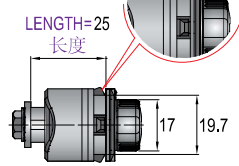
**R** RIGHT / 右



▪ **821-R-C01**  
 ▪ **822-R-C01**



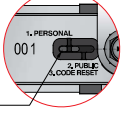
**GLASS THICKNESS**  
 玻璃厚度



UP TO 高达 **9,999** COMBINATIONS  
 密码组合

RECOVERY TOOL SOCKET  
 密码恢复工具插口

FUNCTION SWAP BUTTON  
 功能交换按钮



ACCESSORIES  
 配件



DK041

I082

**SPECIFICATIONS / 产品说明**

- KEYLESS OPERATION  
 不需要钥匙来锁定和解锁
- 2-IN-1 SYSTEM, ONE SMART LOCK THAT FEATURES PERSONAL & PUBLIC FUNCTIONS  
 突出私有和公用功能的二合一功能系统的智能锁
- CODE SETTING WITHOUT TOOLS  
 设置新密码不需要工具
- CODE FINDING FROM THE FRONT BY RECOVERY KEY  
 恢复密钥参考前面的代码
- PLASTIC HOUSING / 塑胶外壳
- 200 DIFFERENT KEY CHANGES FOR SERVICE CYLINDERS  
 有200位数字密码可随意更改
- 10 GROUPS OF MASTER KEYS SYSTEM AVAILABLE  
 10组主钥匙

**A SET INCLUDES / 配套工具**

- 1 LOCK / 1 把锁
- 1 RECOVERY TOOL (FOR COMBI-PERSONAL ONLY)  
 1 个密码恢复工具 (只针对私有)
- 1 RECOVERY KEY (FOR KEYED DIFFERENT ONLY, NOT SUPPLIED WITH KEYED ALIKE)  
 1 份恢复密匙 (仅供不同锁使用, 不能共用)
- 1 FIXING PLATE (R359) / 1 块固定板 (R359)
- SPACER (QUANTITY DEPENDS ON GLASS THICKNESS, SEE **TN** GLASS THICKNESS TABLE)  
 隔板 (数量取决于玻璃厚度, 看右侧表格中的玻璃厚度值)
- 2 FIXING PLATE SCREWS (I084) / 2 个固定板螺丝 (I084)
- 1 L-BRACKET (DK041) / 1 个L型固定支架 (DK041)
- 2 L-BRACKET SCREWS (I082) / 2 个L型固定支架螺丝 (I082)

**FN** FINISH / 颜色

- 66 WHITE / 白色
- 91 BLACK / 黑色

**PRODUCT CODE / 产品代码**

**821-M** \_\_-**VS**-**TN**-**FN**-**C**\_\_-**TD**

**822-M** \_\_-**VS**-**TN**-**FN**-**C**\_\_-**TD**

**ORDERING EXAMPLE & EXPLANATION / 样品和说明**

▪ 821-M1-R-G-91-C01-JZ3

COMBI-PERSONAL, GROUP 1 MASTER KEY SYSTEM, RIGHT VERSION, 4-6mm GLASS OR WOOD THICKNESS, BLACK FINISH, C01 CAM TYPE, 90° CLOCKWISE ROTARY CAM MOVEMENT.

私有-密码锁, 1组主密钥系统, 右款, 4-6毫米厚的玻璃或木板, 黑色, C01款锁芯, 90° 顺时针旋转锁的把手.

**KNOB OPTIONS / 把手选项**

- R315



- R438



**NEW & IMPROVED DESIGN**  
 全新的设计理念

**TN** GLASS THICKNESS / 玻璃厚度

CODE 代码	GLASS THICKNESS 玻璃厚度	FIXING PLATE 固定板	SPACER 隔板	FIXING PLATE SCREW 固定板螺丝钉
<b>G</b>	4-6mm	R359-91	R360-91 (2 PCS. / 个)	I084 (M3 x 19)
<b>H</b>	6-8mm	R359-91	R360-91 (1 PC. / 个)	
<b>I</b>	8-12mm	R359-91	-	

**TD** TURNING DIRECTION / 钥匙转动方向

- K3Z** LEFT VERSION  
左款
- KZ9** LEFT VERSION  
左款
- K63** LEFT VERSION  
左款
- J9Z** RIGHT VERSION  
右款
- JZ3** RIGHT VERSION  
右款
- J69** RIGHT VERSION  
右款



FROM LOCK TO UNLOCK POSITION  
 从关到开位置

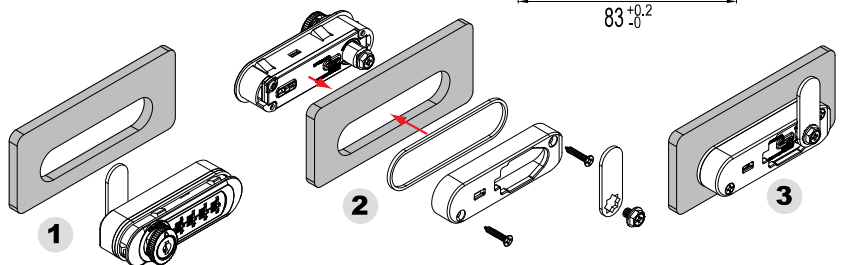
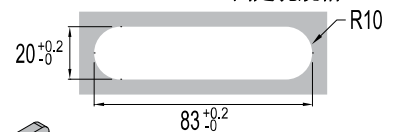
**J**: CLOCKWISE / 顺时针方向

**K**: COUNTER-CLOCKWISE / 逆时针方向

**FIXING DETAILS / 安装细节**



**FIXING HOLE SIZE / 固定孔规格**



ALL MEASUREMENTS : mm / 测量单位为毫米



**FOR GLASS DOOR CABINET & WOOD THICKNESS OF 4-12mm**  
 玻璃专用适用于柜门和4-12毫米厚的木板  
**SINGLE GLASS DOOR CABINET LOCK**  
 单玻璃门柜锁

PERSONAL / 私有 NO. **821-C01**  
 PUBLIC / 公用 NO. **822-C01**

**VS** VERSION / 款式

**VL** LEFT / 左

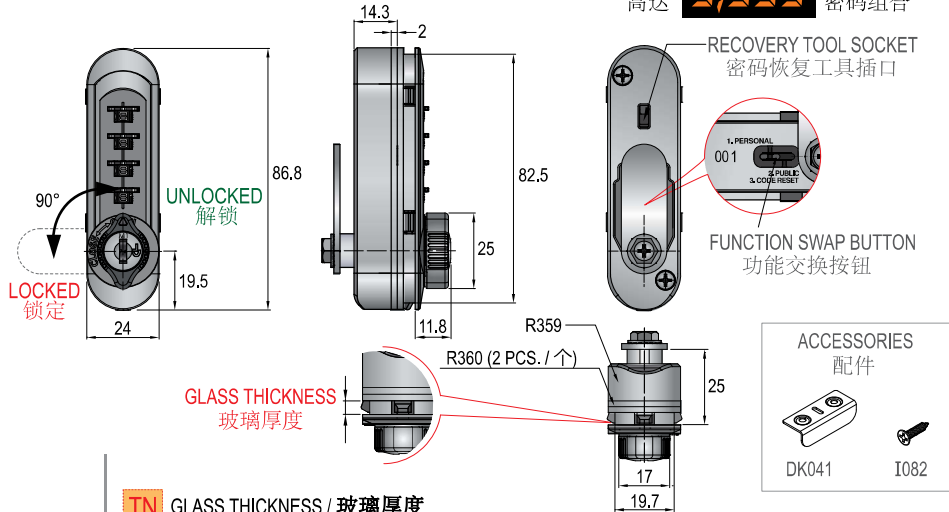


■ **821-VL-C01**  
 ■ **822-VL-C01**

**VR** RIGHT / 右



■ **821-VR-C01**  
 ■ **822-VR-C01**



**SPECIFICATIONS / 产品说明**

- KEYLESS OPERATION  
不需要钥匙来锁定和解锁
- 2-IN-1 SYSTEM, ONE SMART LOCK THAT FEATURES PERSONAL & PUBLIC FUNCTIONS  
突出私有和公用功能的二合一系统智能锁
- CODE SETTING WITHOUT TOOLS  
设置新密码不需要工具
- CODE FINDING FROM THE FRONT BY RECOVERY KEY  
恢复密钥参考前面的代码
- PLASTIC HOUSING  
塑胶外壳
- 200 DIFFERENT KEY CHANGES FOR SERVICE CYLINDERS  
有200位数字密码可随意更改
- 10 GROUPS OF MASTER KEYS SYSTEM AVAILABLE  
10组主密匙

**A SET INCLUDES / 配套工具**

- 1 LOCK / 1 把锁
- 1 RECOVERY TOOL (FOR COMBI-PERSONAL ONLY)  
1 个密码恢复工具 (只针对私有)
- 1 RECOVERY KEY (FOR KEYED DIFFERENT ONLY, NOT SUPPLIED WITH KEYED ALIKE)  
1 份恢复密匙 (仅供不同锁使用, 不能共用)
- 1 FIXING PLATE (R359) / 1 块固定板 (R359)
- SPACER (QUANTITY DEPENDS ON GLASS THICKNESS, SEE **TN** GLASS THICKNESS TABLE)  
隔板 (数量取决于玻璃厚度, 看右侧表格中的玻璃厚度值)
- 2 FIXING PLATE SCREWS (I084) / 2 个固定板螺丝 (I084)
- 1 L-BRACKET (DK041) / 1 个L型固定支架 (DK041)
- 2 L-BRACKET SCREWS (I082) / 2 个L型固定支架螺丝 (I082)

**FN** FINISH / 颜色

- 66 WHITE / 白色
- 91 BLACK / 黑色

**PRODUCT CODE / 产品代码**

**821-M** \_\_ - **VS** - **TN** - **FN** - **C** \_\_ - **TD**

**822-M** \_\_ - **VS** - **TN** - **FN** - **C** \_\_ - **TD**

**ORDERING EXAMPLE & EXPLANATION**

**样品和说明**

■ **822-M1-VR-G-66-C01-J9Z**

COMBI-PUBLIC, GROUP 1 MASTER KEY SYSTEM, RIGHT VERSION, 4-6mm GLASS OR WOOD THICKNESS, WHITE FINISH, C01 CAM TYPE, 90° CLOCKWISE ROTARY CAM MOVEMENT.

公用-密码锁, 1组主密匙系统, 右款, 4-6毫米厚的玻璃或木板, 白色, C01款锁, 90° 顺时针旋转锁的把手.

**KNOB OPTIONS / 把手选项**

- R315



- R438



**NEW & IMPROVED DESIGN**  
全新的设计理念

**TN** GLASS THICKNESS / 玻璃厚度

CODE 代码	GLASS THICKNESS 玻璃厚度	FIXING PLATE 固定板	SPACER 隔板	FIXING PLATE SCREW 固定板螺丝钉
<b>G</b>	4-6mm	R359-91	R360-91 (2 PCS. / 个)	I084 (M3 x 19)
<b>H</b>	6-8mm	R359-91	R360-91 (1 PC. / 个)	
<b>I</b>	8-12mm	R359-91	-	

**TD** TURNING DIRECTION / 钥匙转动方向

**K3Z** LEFT VERSION 左款

**J9Z** RIGHT VERSION 右款

**K63** LEFT VERSION 左款

**J69** RIGHT VERSION 右款



FROM LOCK TO UNLOCK POSITION  
从关到开位置

**J**: CLOCKWISE / 顺时针方向

**K**: COUNTER-CLOCKWISE / 逆时针方向

**FIXING DETAILS / 安装细节**

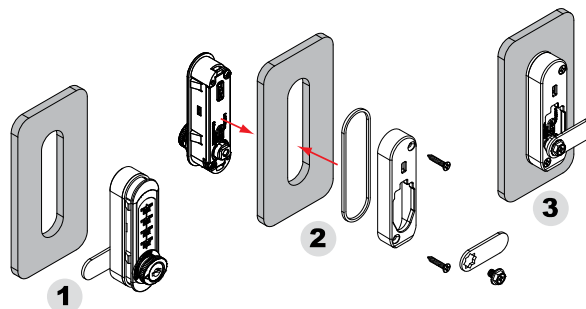


FIXING HOLE SIZE 固定孔规格

R10

83<sup>+0.2</sup>

20<sup>+0.2</sup>



ALL MEASUREMENTS : mm / 测量单位为毫米

**FOR GLASS DOOR CABINET & WOOD THICKNESS OF 4-12mm**  
 玻璃专用适用于柜门和4-12毫米厚的木板  
**SINGLE GLASS DOOR CABINET LOCK**  
 单玻璃门柜锁

PERSONAL / 私人 NO. **821Z-C01**  
 PUBLIC / 公用 NO. **822Z-C01**

**VS** VERSION / 款式

**L** LEFT / 左

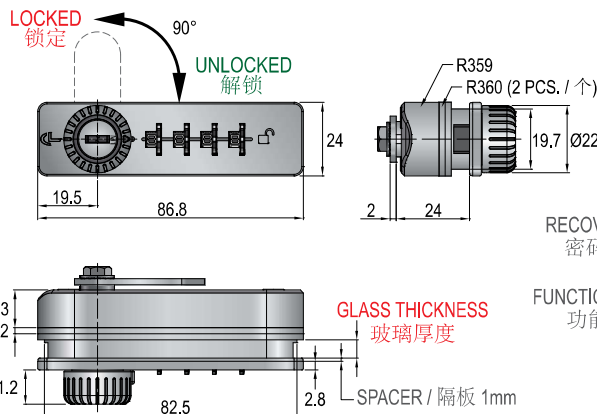


▪ **821Z-L-C01**  
 ▪ **822Z-L-C01**

**R** RIGHT / 右



▪ **821Z-R-C01**  
 ▪ **822Z-R-C01**



UP TO **9,999** COMBINATIONS  
 高达 9,999 密码组合

RECOVERY TOOL SOCKET  
 密码恢复工具插口

FUNCTION SWAP BUTTON  
 功能交换按钮

ACCESSORIES  
 配件



**SPECIFICATIONS / 产品说明**

- KEYLESS OPERATION  
 不需要钥匙来锁定和解锁
- 2-IN-1 SYSTEM, ONE SMART LOCK THAT FEATURES PERSONAL & PUBLIC FUNCTIONS  
 突出私人和公用功能的二合一系统智能锁
- CODE SETTING WITHOUT TOOLS  
 设置新密码不需要工具
- CODE FINDING FROM THE FRONT BY RECOVERY KEY  
 恢复密码参考前面的代码
- ZINC ALLOY DIE CAST HOUSING  
 锌合金外壳
- HANDLE KNOB OFFERS DISTINCTIVE FEEL WHILE TURNING  
 旋转把手时有种特别的质感
- 200 DIFFERENT KEY CHANGES FOR SERVICE CYLINDERS  
 有200位数密码可随意更改
- 10 GROUPS OF MASTER KEYS SYSTEM AVAILABLE  
 10组主密匙

**A SET INCLUDES / 配套工具**

- 1 LOCK / 1 把锁
- 1 RECOVERY TOOL (FOR COMBI-PERSONAL ONLY)  
 1 个密码恢复工具 (只针对私人)
- 1 RECOVERY KEY (FOR KEYED DIFFERENT ONLY, NOT SUPPLIED WITH KEYED ALIKE)  
 1 份恢复密匙 (仅供不同锁使用, 不能共用)
- 1 FIXING PLATE (R359) / 1 块固定板 (R359)
- SPACER (QUANTITY DEPENDS ON GLASS THICKNESS, SEE **TN** GLASS THICKNESS TABLE)  
 隔板 (数量取决于玻璃厚度, 看右侧表格中的玻璃厚度值)
- 2 FIXING PLATE SCREWS (I101) / 2 个固定板螺丝 (I101)
- 1 L-BRACKET (DK041) / 1 个L型固定支架 (DK041)
- 2 L-BRACKET SCREWS (I082) / 2 个L型固定支架螺丝 (I082)

**FN** FINISH / 颜色

- 01K NICKEL / 镍色\*
- 04A BLACK (MATT) / 黑色 (表面)
- 14 WHITE / 白色
- 27 SATIN-NICKEL / 磨砂镍黄色
- 28 SATIN-CHROME / 磨砂铬黄色

**PRODUCT CODE / 产品代码**

**821Z-M** \_\_ - **VS** - **TN** - **FN** - **C** \_\_ - **TD**

**822Z-M** \_\_ - **VS** - **TN** - **FN** - **C** \_\_ - **TD**

**ORDERING EXAMPLE & EXPLANATION**

**样品和说明**

▪ **821Z-M1-R-G-04A-C01-JZ3**

COMBI-PERSONAL, GROUP 1 MASTER KEY SYSTEM, RIGHT VERSION, 4-6mm GLASS OR WOOD THICKNESS, BLACK (MATT) FINISH, C01 CAM TYPE, 90° CLOCKWISE ROTARY CAM MOVEMENT.

私人-密码锁, 1组主密钥系统, 右款, 4-6毫米厚的玻璃或木板, 黑色 (表面), C01款锁, 90° 顺时针旋转锁的把手。

**NOTE / 备注**

\* FOR PRODUCT WITH NICKEL FINISH (01K), THE LOCK WILL COME WITH NICKEL HOUSING AND SATIN-CHROME HANDLE.  
 产品用镍材质 (01K), 镍外壳和镀铬把手

**TN** GLASS THICKNESS / 玻璃厚度

CODE 代码	GLASS THICKNESS 玻璃厚度	FIXING PLATE 固定板	SPACER 隔板	FIXING PLATE SCREW 固定板螺丝钉
<b>G</b>	4-6mm	R359-91	R360-91 (2 PCS. / 个)	I101 (M3.5 x 16)
<b>H</b>	6-8mm	R359-91	R360-91 (1 PC. / 个)	
<b>I</b>	8-12mm	R359-91	-	

**TD** TURNING DIRECTION / 钥匙转动方向

- K3Z** LEFT VERSION 左款
- KZ9** LEFT VERSION 左款
- K63** LEFT VERSION 左款
- J9Z** RIGHT VERSION 右款
- JZ3** RIGHT VERSION 右款
- J69** RIGHT VERSION 右款

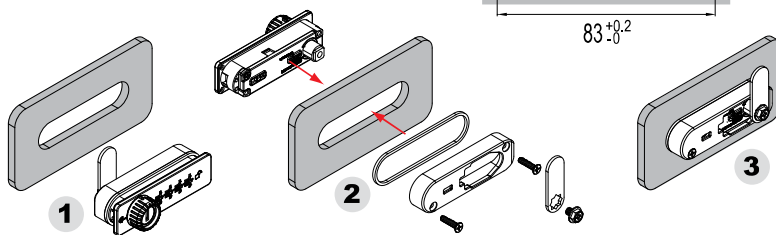
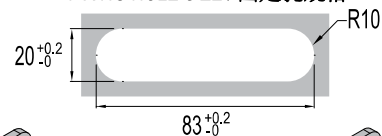


**FIXING DETAILS / 安装细节**



ALL MEASUREMENTS : mm / 测量单位为毫米

**FIXING HOLE SIZE / 固定孔规格**



**FOR GLASS DOOR CABINET & WOOD THICKNESS OF 4-12mm**  
 玻璃专用适用于柜门和4-12毫米厚的木板  
**SINGLE GLASS DOOR CABINET LOCK**  
 单玻璃门柜锁

PERSONAL / 私人 NO. **821Z-C01**  
 PUBLIC / 公用 NO. **822Z-C01**

**VS** VERSION / 款式

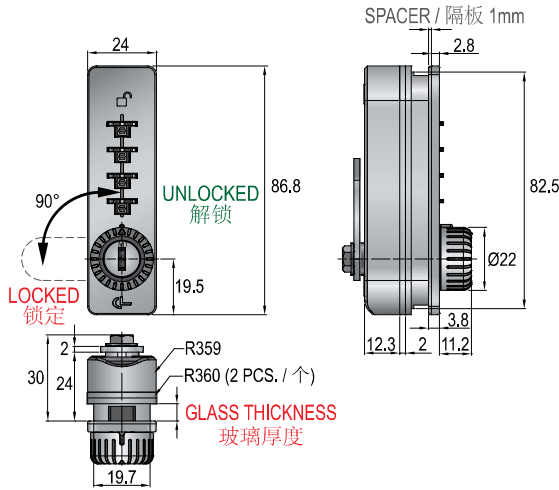
**VL** LEFT / 左

**VR** RIGHT / 右

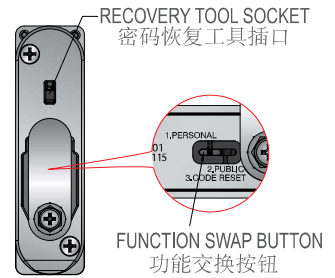


■ **821Z-VL-C01**  
 ■ **822Z-VL-C01**

■ **821Z-VR-C01**  
 ■ **822Z-VR-C01**



UP TO 高达 **9,999** COMBINATIONS 密码组合



**SPECIFICATIONS / 产品说明**

- KEYLESS OPERATION  
不需要钥匙来锁定和解锁
- 2-IN-1 SYSTEM, ONE SMART LOCK THAT FEATURES PERSONAL & PUBLIC FUNCTIONS  
突出私用和公用功能的二合一系统智能锁
- CODE SETTING WITHOUT TOOLS  
设置新密码不需要工具
- CODE FINDING FROM THE FRONT BY RECOVERY KEY  
恢复密码参考前面的代码
- ZINC ALLOY DIE CAST HOUSING  
锌合金外壳
- HANDLE KNOB OFFERS DISTINCTIVE FEEL WHILE TURNING  
旋转把手时有种特别的质感
- 200 DIFFERENT KEY CHANGES FOR SERVICE CYLINDERS  
有200位数字密码可随意更改
- 10 GROUPS OF MASTER KEYS SYSTEM AVAILABLE  
10组主密匙

**A SET INCLUDES / 配套工具**

- 1 LOCK / 1 把锁
- 1 RECOVERY TOOL (FOR COMBI-PERSONAL ONLY)  
1 个密码恢复工具 (只针对私人)
- 1 RECOVERY KEY (FOR KEYED DIFFERENT ONLY, NOT SUPPLIED WITH KEYED ALIKE)  
1 份恢复密匙 (仅供不同锁使用, 不能共用)
- 1 FIXING PLATE (R359) / 1 块固定板 (R359)
- SPACER (QUANTITY DEPENDS ON GLASS THICKNESS, SEE **TN** GLASS THICKNESS TABLE)  
隔板 (数量取决于玻璃厚度, 看右侧表格中的玻璃厚度值)
- 2 FIXING PLATE SCREWS (I101) / 2 个固定板螺丝 (I101)
- 1 L-BRACKET (DK041) / 1 个L型固定支架 (DK041)
- 2 L-BRACKET SCREWS (I082) / 2 个L型固定支架螺丝 (I082)

**FN** FINISH / 颜色

- 01K NICKEL / 镍色\*
- 04A BLACK (MATT) / 黑色 (表面)
- 14 WHITE / 白色
- 27 SATIN-NICKEL / 磨砂镍黄色
- 28 SATIN-CHROME / 磨砂铬黄色

**PRODUCT CODE / 产品代码**

**821Z-M** \_\_ **VS** \_\_ **TN** \_\_ **FN** \_\_ **C** \_\_ **TD**

**822Z-M** \_\_ **VS** \_\_ **TN** \_\_ **FN** \_\_ **C** \_\_ **TD**

**ORDERING EXAMPLE & EXPLANATION**

**样品和说明**

■ **821Z-M1-VR-G-04A-C01-J9Z**

COMBI-PERSONAL, GROUP 1 MASTER KEY SYSTEM, RIGHT VERSION, 4-6mm GLASS OR WOOD THICKNESS, BLACK (MATT) FINISH, C01 CAM TYPE, 90° CLOCKWISE ROTARY CAM MOVEMENT.

私用-密码锁, 1组主密匙系统, 右款, 4-6毫米厚的玻璃或木板, 黑色(表面), C01款锁芯, 90° 顺时针旋转锁的把手。

**NOTE / 备注**

\* FOR PRODUCT WITH NICKEL FINISH (01K), THE LOCK WILL COME WITH NICKEL HOUSING AND SATIN-CHROME HANDLE.  
 产品用镍材质 (01K), 镍外壳和镀铬把手

**TN** GLASS THICKNESS / 玻璃厚度

CODE 代码	GLASS THICKNESS 玻璃厚度	FIXING PLATE 固定板	SPACER 隔板	FIXING PLATE SCREW 固定板螺丝钉
<b>G</b>	4-6mm	R359-91	R360-91 (2 PCS. / 个)	I101 (M3.5 x 16)
<b>H</b>	6-8mm	R359-91	R360-91 (1 PC. / 个)	
<b>I</b>	8-12mm	R359-91	-	

**TD** TURNING DIRECTION / 钥匙转动方向

**K3Z** LEFT VERSION 左款  
**K63** LEFT VERSION 左款

**J9Z** RIGHT VERSION 右款  
**J69** RIGHT VERSION 右款

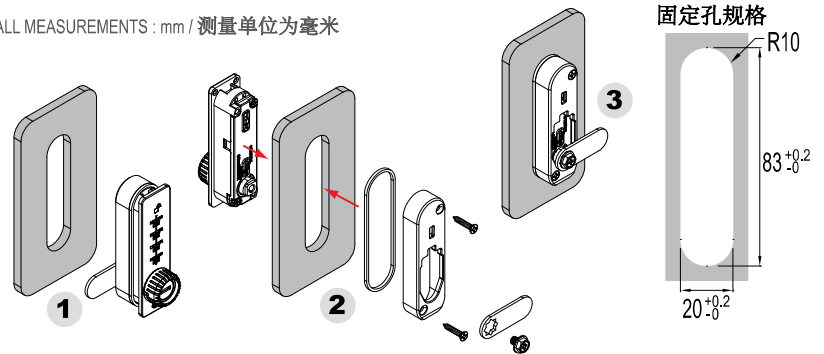


FROM LOCK TO UNLOCK POSITION  
 从关到开位置  
**J**: CLOCKWISE / 顺时针方向  
**K**: COUNTER-CLOCKWISE / 逆时针方向

**FIXING DETAILS / 安装细节**



ALL MEASUREMENTS : mm / 测量单位为毫米





**FOR GLASS DOOR CABINET & WOOD THICKNESS OF 4-12mm**  
 玻璃专用适用于柜门和4-12毫米厚的木板  
**SINGLE GLASS DOOR CABINET LOCK**  
 单玻璃门柜锁

PERSONAL / 私有 NO. **837Z-C01**  
 PUBLIC / 公用 NO. **838Z-C01**

**VS** VERSION / 款式

**L** LEFT / 左

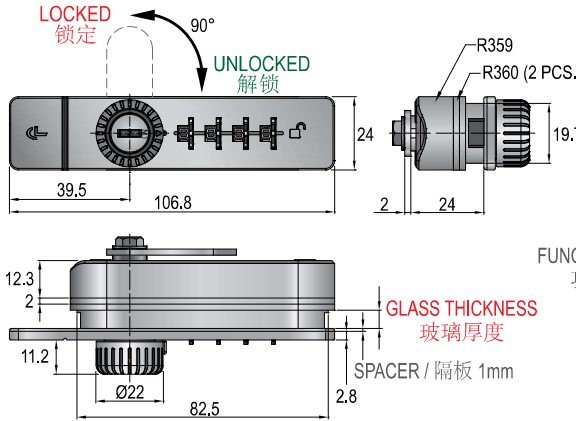


■ **837Z-L-C01**  
 ■ **838Z-L-C01**

**R** RIGHT / 右



■ **837Z-R-C01**  
 ■ **838Z-R-C01**

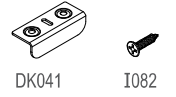


UP TO 高达 **9,999** COMBINATIONS 密码组合

RECOVERY TOOL SOCKET 密码恢复工具插口

FUNCTION SWAP BUTTON 功能交换按钮

ACCESSORIES 配件



**SPECIFICATIONS / 产品说明**

- KEYLESS OPERATION 不需要钥匙来锁定和解锁
- 2-IN-1 SYSTEM, ONE SMART LOCK THAT FEATURES PERSONAL & PUBLIC FUNCTIONS 突出私有和公用功能的二合一系统智能锁
- CODE SETTING WITHOUT TOOLS 设置新密码不需要工具
- CODE FINDING FROM THE FRONT BY RECOVERY KEY 恢复密码参考前面的代码
- ZINC ALLOY DIE CAST HOUSING 锌合金外壳
- HANDLE KNOB OFFERS DISTINCTIVE FEEL WHILE TURNING 旋转把手时有种特别的质感
- 200 DIFFERENT KEY CHANGES FOR SERVICE CYLINDERS 有200位数密码可随意更改
- 10 GROUPS OF MASTER KEYS SYSTEM AVAILABLE 10组主密匙

**A SET INCLUDES / 配套工具**

- 1 LOCK / 1 把锁
- 1 RECOVERY TOOL (FOR COMBI-PERSONAL ONLY) 1 个密码恢复工具 (只针对私有)
- 1 RECOVERY KEY (FOR KEYED DIFFERENT ONLY, NOT SUPPLIED WITH KEYED ALIKE) 1 份恢复密匙 (仅供不同锁使用, 不能共用)
- 1 FIXING PLATE (R359) / 1 块固定板 (R359)
- SPACER (QUANTITY DEPENDS ON GLASS THICKNESS, SEE **TN** GLASS THICKNESS TABLE) 隔板 (数量取决于玻璃厚度, 看右侧表格中的玻璃厚度值)
- 2 FIXING PLATE SCREWS (I101) / 2 个固定板螺丝 (I101)
- 1 L-BRACKET (DK041) / 1 个L型固定支架 (DK041)
- 2 L-BRACKET SCREWS (I082) / 2 个L型固定支架螺丝 (I082)

**FN** FINISH / 颜色

- 01K NICKEL / 镍色\*
- 04A BLACK (MATT) / 黑色 (表面)
- 14 WHITE / 白色
- 27 SATIN-NICKEL / 磨砂镍黄色
- 28 SATIN-CHROME / 磨砂铬黄色

**PRODUCT CODE / 产品代码**

**837Z-M** \_\_-VS- **TN** - **FN** - **C** \_\_- **TD**  
**838Z-M** \_\_-VS- **TN** - **FN** - **C** \_\_- **TD**

**ORDERING EXAMPLE & EXPLANATION**

**样品和说明**

■ **837Z-M1-R-G-04A-C01-JZ3**  
 COMBI-PERSONAL, GROUP 1 MASTER KEY SYSTEM, RIGHT VERSION, 4-6mm GLASS OR WOOD THICKNESS, BLACK (MATT) FINISH, C01 CAM TYPE, 90° CLOCKWISE ROTARY CAM MOVEMENT.

私有-密码锁, 1组主密匙系统, 右款, 4-6毫米厚的玻璃或木板, 黑色(表面), C01款锁门, 90° 顺时针旋转锁的把手。

**NOTE / 备注**

\* FOR PRODUCT WITH NICKEL FINISH (01K), THE LOCK WILL COME WITH NICKEL HOUSING AND SATIN-CHROME HANDLE. 产品用镍材质 (01K), 镍外壳和镀铬把手

**TN** GLASS THICKNESS / 玻璃厚度

CODE 代码	GLASS THICKNESS 玻璃厚度	FIXING PLATE 固定板	SPACER 隔板	FIXING PLATE SCREW 固定板螺丝钉
<b>G</b>	4-6mm	R359-91	R360-91 (2 PCS./个)	I101 (M3.5 x 16)
<b>H</b>	6-8mm	R359-91	R360-91 (1 PC./个)	
<b>I</b>	8-12mm	R359-91	-	

**TD** TURNING DIRECTION / 钥匙转动方向

- KZ9** LEFT VERSION 左款
- JZ3** RIGHT VERSION 右款
- J69** LEFT VERSION 左款
- K63** RIGHT VERSION 右款

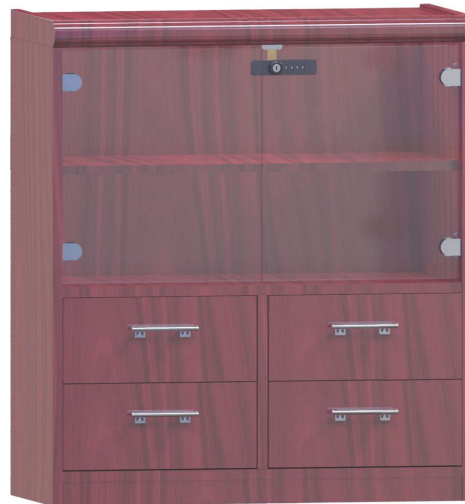


FROM LOCK TO UNLOCK POSITION 从关到开位置

**J**: CLOCKWISE / 顺时针方向

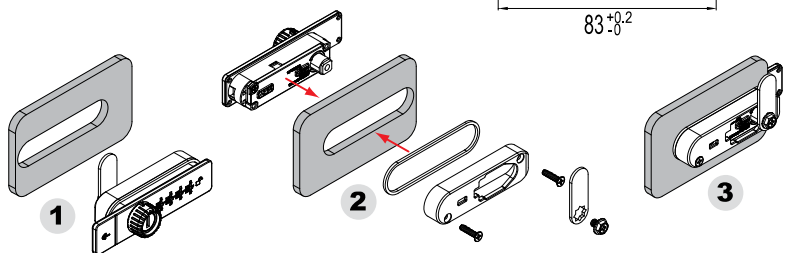
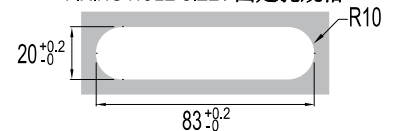
**K**: COUNTER-CLOCKWISE / 逆时针方向

**FIXING DETAILS / 安装细节**



ALL MEASUREMENTS : mm / 测量单位为毫米

**FIXING HOLE SIZE / 固定孔规格**



COMBI |  PERSONAL 私人  
 PUBLIC 公用



# 5-IN-1 CYLINDER SERIES SYSTEM

5合1缸系列系统

## COMBINATION LOCKS

密码锁



**KEY OPTIONS**  
 AVAILABLE  
 可用的关键选项



**5-IN-1**  
 CYLINDER  
 SERIES SYSTEM  
 5合1缸系列系统



**COMBINATION LOCKS**  
 4位数密码锁



# FOR METAL, WOODEN & SINGLE GLASS DOOR CABINET

适用于金属柜, 木制柜和玻璃柜锁

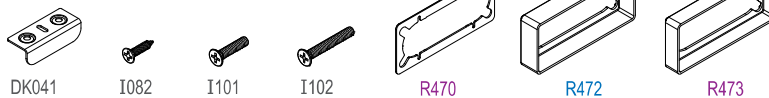
PERSONAL / 私人 NO. **839Z**  
PUBLIC / 公用 NO. **840Z**

SUPPORTS **KEY USE** OR **COMBINATION USE**  
使用钥匙或者密码上锁



UP TO 高达 **9,999** COMBINATIONS 密码组合

## ACCESSORIES / 配件



## VS VERSION / 款式



## SPECIFICATIONS / 产品说明

- SUPPORTS **KEY USE** OR **COMBINATION USE** (CHOOSE ONE ONLY)  
使用钥匙或者密码上锁 (只能选其一)
- FOR USE WITH ANY OF THE CYLINDER SERIES CL1 - CL5  
适用于CL1-CL5中任何一种密码锁圆筒
- 2-IN-1 SYSTEM, ONE SMART LOCK THAT FEATURES PERSONAL & PUBLIC FUNCTIONS  
突出私人和公用功能的二合一系统智能锁
- CODE SETTING WITHOUT TOOLS  
设置新密码不需要工具
- CODE FINDING FROM THE BACK  
恢复密码参考前面的代码
- ZINC ALLOY DIE CAST HOUSING  
铝合金外壳
- KEY OPTIONS AVAILABLE  
可用钥匙选项
- MASTER KEYS SYSTEM AVAILABLE  
智能系统选项
- DIGIT WHEEL PROTECTED BY ANTI-SCRATCH COVER  
数字转盘有防尘罩保护

## A SET INCLUDES / 配套工具

- 1 LOCK / 1 把锁
- 2 KEYS / 2 把钥匙
- 3 TYPES OF SPACERS (R470, R472, R473) / 3 块隔板 (R470, R472, R473)
- 2 SCREWS (I101) / 2 颗螺丝 (I101)
- 2 SCREWS (I102) / 2 颗螺丝 (I102)
- 1 L-BRACKET (DK041) / 1 个L型固定支架(DK041)
- 2 L-BRACKET SCREWS (I082) / 2 个L型固定支架螺丝 (I082)

## FN FINISH / 颜色

- 01K NICKEL / 银色
- 04A BLACK (MATT) / 黑色 (表面)
- 14 WHITE / 白色
- 27 SATIN-NICKEL / 磨砂镍黄色
- 28 SATIN-CHROME / 磨砂铬黄色

## PRODUCT CODE / 产品代码

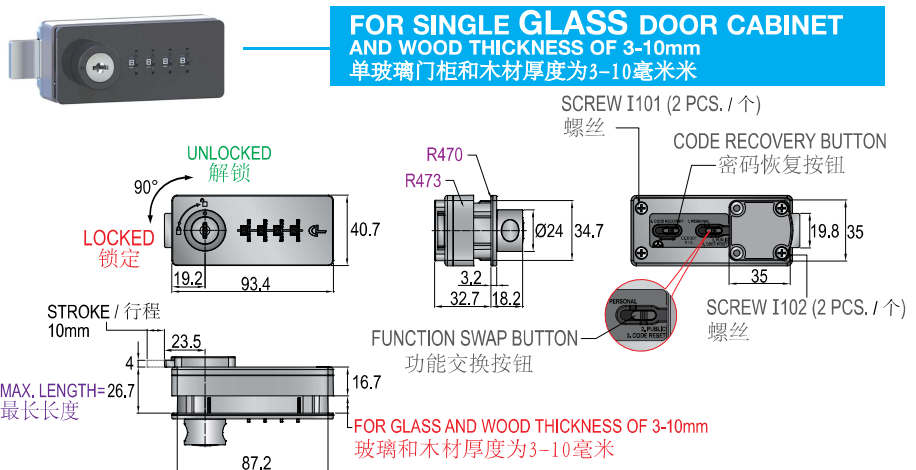
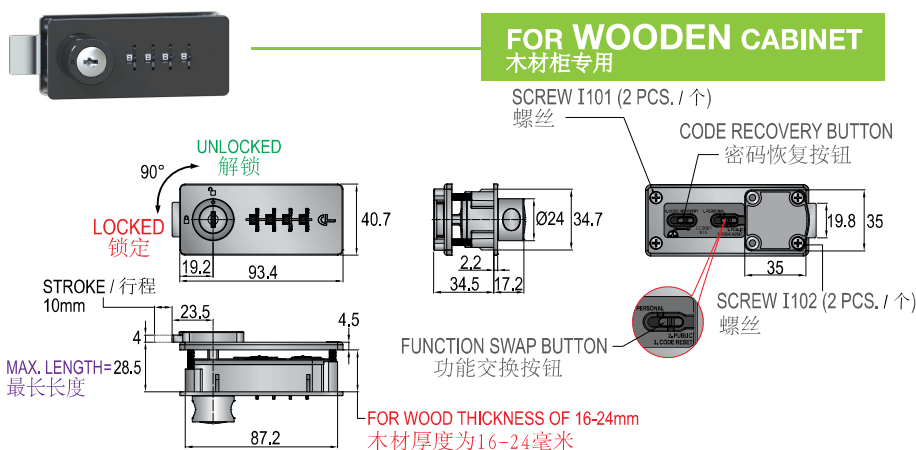
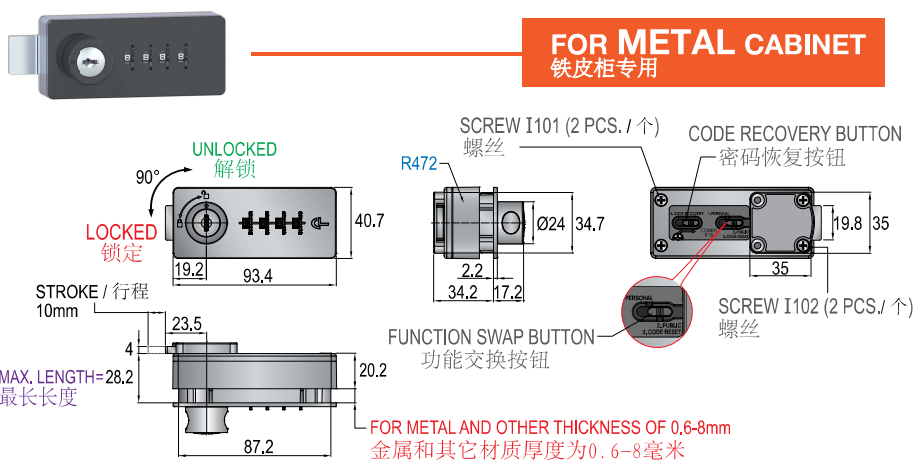
CORE -M\_\_-839Z- VS - FN - KEY  
CORE -M\_\_-840Z- VS - FN - KEY

## ORDERING EXAMPLE & EXPLANATION

### 样品和说明

- CL13-M1-840Z-R04A-K200-91-CC-CL-ANTI BACTERIAL  
CYBER 1 SMALL CONVEX HEAD CYLINDER CORE, GROUP 1 MASTER KEY SYSTEM, COMBI-PUBLIC, RIGHT VERSION, BLACK (MATT) FINISH, KEY WITH CL LOGO PLASTIC CAP AND FEATURES MICROBAN® TECHNOLOGY, CC KEYWAY.  
CYBER 1型小凸面锁芯, 1组主密钥系统, 公用-密码锁, 右款, 黑色(表面), 塑胶钥匙柄表面有CL商标及 MICROBAN抗菌技术标志, CC 键槽。

## SEE FIXING DETAILS NEXT PAGE / 安装细节见下一页



ALL MEASUREMENTS : mm / 测量单位为毫米



# FIXING DETAILS / 安装步骤

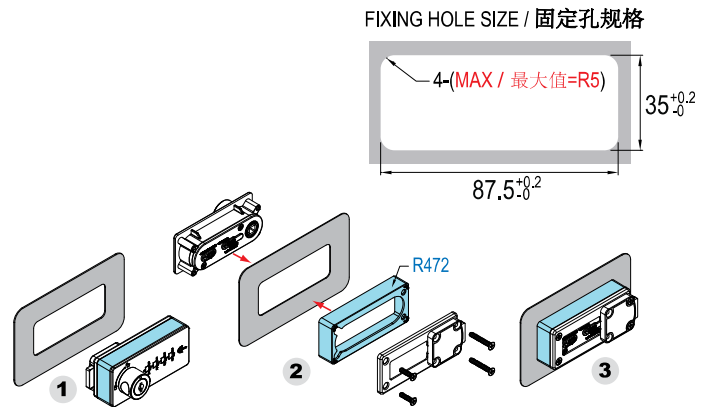
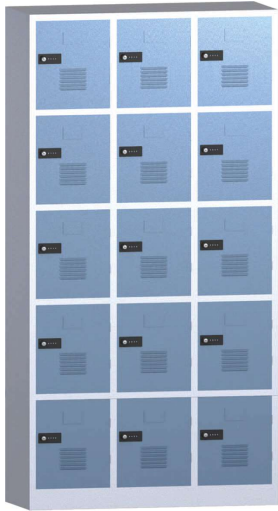
FOR METAL, WOODEN &  
SINGLE GLASS DOOR CABINET  
适用于金属柜, 木制柜和玻璃柜锁

PERSONAL / 私用 NO. **839Z**  
PUBLIC / 公用 NO. **840Z**

SUPPORTS  
**KEY USE** OR **COMBINATION USE**  
使用钥匙或者密码上锁

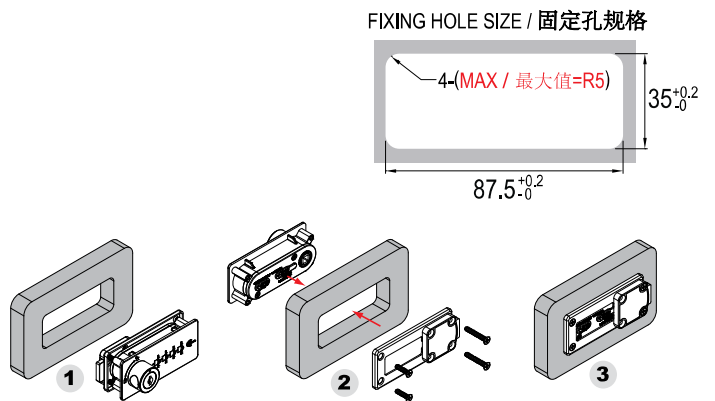
## FOR METAL CABINET 铁皮柜专用

FOR METAL AND OTHER THICKNESS OF 0.6-8mm  
金属和其它材质厚度为0.6-8毫米

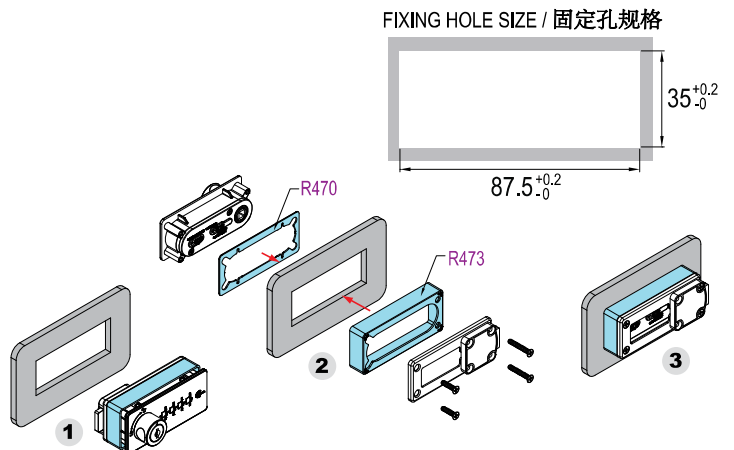
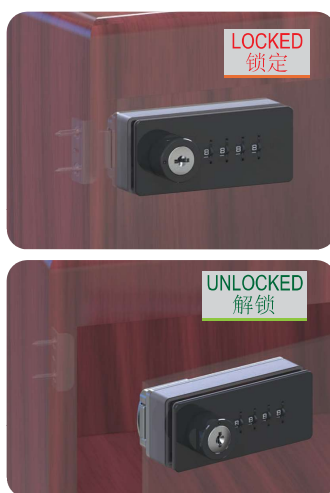


## FOR WOODEN CABINET 木材柜专用

FOR WOOD THICKNESS OF 16-24mm  
木材厚度为16-24毫米



## FOR SINGLE GLASS DOOR CABINET AND WOOD THICKNESS OF 3-10mm 单玻璃门柜和木材厚度为3-10毫米

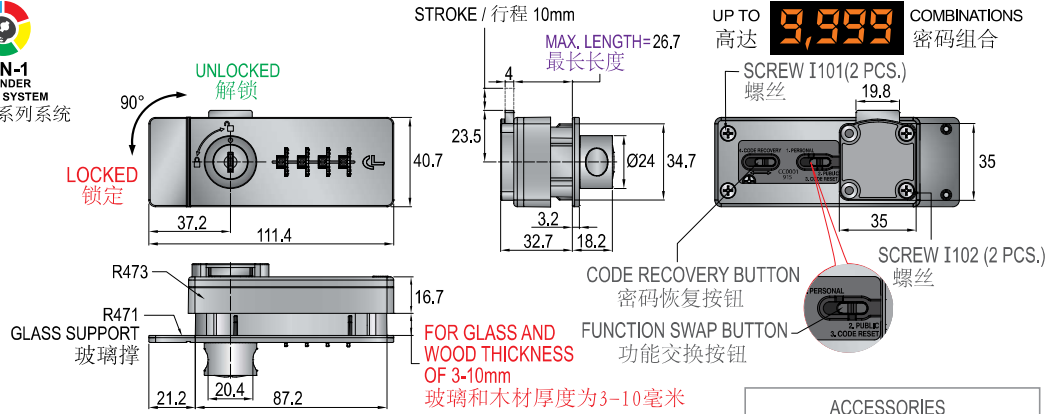


ALL MEASUREMENTS : mm / 测量单位为毫米

**FOR GLASS DOOR CABINET & WOOD THICKNESS OF 3-10mm**  
 玻璃专用适用于柜门和3-10毫米厚的木板  
**DOUBLE GLASS DOOR CABINET LOCK**  
 双玻璃门柜锁

PERSONAL / 私人 NO. **841Z**  
 PUBLIC / 公用 NO. **842Z**

SUPPORTS **KEY USE OR COMBINATION USE**  
 使用钥匙或者密码上锁



VS VERSION / 版本

- SL** LEFT, UPWARD LOCKING 往左上方锁定  
**DL** LEFT, DOWNWARD LOCKING 往左下方锁定  
**SR** RIGHT, UPWARD LOCKING 往右上方锁定  
**DR** RIGHT, DOWNWARD LOCKING 往右下方锁定



**SPECIFICATIONS / 产品说明**

- SUPPORTS **KEY USE OR COMBINATION USE (CHOOSE ONE ONLY)**  
使用钥匙或者密码上锁 (只能选其一)
- FOR USE WITH ANY OF THE CYLINDER SERIES CL1-CL5  
适用于CL1-CL5中任何一种密码锁圆筒
- 2-IN-1 SYSTEM, ONE SMART LOCK THAT FEATURES PERSONAL & PUBLIC FUNCTIONS  
突出私用和公用功能的二合一系统智能锁
- CODE SETTING WITHOUT TOOLS  
设置新密码不需要工具
- CODE FINDING FROM THE BACK  
恢复密码参考前面的代码
- ZINC ALLOY DIE CAST HOUSING  
锌合金外壳
- KEY OPTIONS AVAILABLE  
可用钥匙选项
- MASTER KEYS SYSTEM AVAILABLE  
智能系统选项
- DIGIT WHEEL PROTECTED BY ANTI-SCRATCH COVER  
数字轮盘有防尘罩保护

**A SET INCLUDES / 配套工具**

- 1 LOCK / 1 把锁
- 2 KEYS / 2 把钥匙
- 2 SPACER (R471,R473) / 2 个衬套 (R471, R473)
- 2 SCREWS (I101) / 2 颗螺丝 (I101)
- 2 SCREWS (I102) / 2 颗螺丝 (I102)
- 1 L-BRACKET (DK041) / 1 个L型固定支架 (DK041)
- 2 L-BRACKET SCREWS (I082) / 2 个L型固定支架螺丝 (I082)

**FN FINISH / 颜色**

- 01K NICKEL / 镍色
- 04A BLACK (MATT) / 黑色 (表面)
- 14 WHITE / 白色
- 27 SATIN-NICKEL / 磨砂镍黄色
- 28 SATIN-CHROME / 磨砂铬黄色

**PRODUCT CODE / 产品代码**

CORE -M\_\_-841Z- VS - FN - KEY  
 CORE -M\_\_-842Z- VS - FN - KEY

**ORDERING EXAMPLE & EXPLANATION**

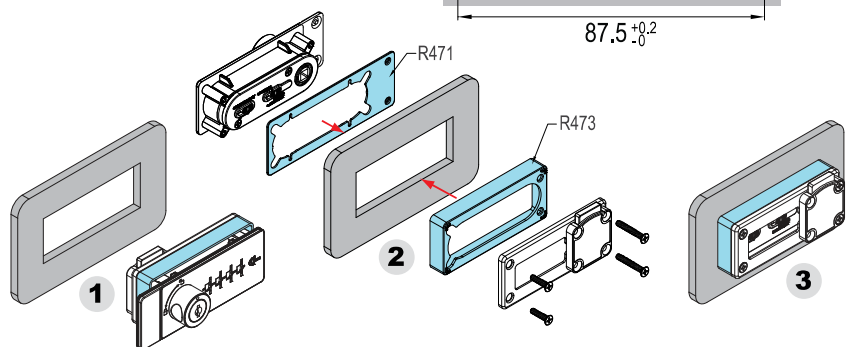
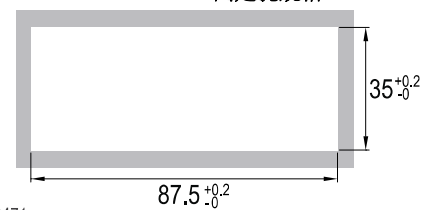
**样品和说明**

CL13-M1-841Z-SR-04A-K200-91-CC-CL-ANTI BACTERIAL  
 CYBER 1 SMALL CONVEX HEAD CYLINDER CORE, GROUP 1  
 MASTER KEY SYSTEM, COMBI-PUBLIC, RIGHT VERSION  
 (UPWARD LOCKING), 3-10mm GLASS OR WOOD THICKNESS,  
 BLACK FINISH, KEY WITH CL LOGO PLASTIC CAP AND  
 FEATURES MICROBAN® TECHNOLOGY, CC KEYWAY.  
 CYBER 1型小凸面锁芯, 1组主密钥系统, 公用-密码锁,  
 右款(向上锁定), 3-10毫米厚的玻璃或木板, 黑色,  
 塑胶钥匙柄表面有CL商标及 MICROBAN抗菌技术标志,  
 CC 键槽。

**FIXING DETAILS / 安装细节**



**FIXING HOLE SIZE / 固定孔规格**



ALL MEASUREMENTS : mm / 测量单位为毫米



### Cyber 1 PLUS

REGULAR KEY / 常规款

IS INTENDED FOR CUSTOMERS SEEKING AN ENHANCED LEVEL OF SECURITY; WITH FEATURES SUCH AS 3,000 KEY CHANGES, MASTER-KEYING FOR UP TO 50 MASTER GROUPS.

适用于对安全级别需求较高的人群。此款锁配备有3000个安全密码和50款不同型号的钥匙。

### Cyber 2 (Series 2)

CLASSIC KEY / 经典款

PROVIDES GREATER FLEXIBILITY WITH MACHINE BITTEN KEYS THAT ARE 1.6mm THICK. THE NEW SKELETAL GROOVE DESIGN IS NOW COMPLEMENTED WITH 200 KEY CHANGES, MASTER-KEYING FOR UP TO 5 GROUPS. THE FRONT OF THE CYLINDER CORE IS CAPPED WITH STAINLESS STEEL FOR BETTER APPEAL.

1.6厘米厚的材质，使锁的弹性大幅提升，配备200个密码和5款不同型号的钥匙，并为该锁配备了不锈钢防尘罩。

### Cyber 3

DIMPLE KEY (COMPUTER KEY) / 带酒窝款

INCORPORATES ADVANCED TECHNOLOGY IN LOCK PRODUCTION TO ELEVATE THE LEVEL OF SECURITY EVEN FURTHER. UNLIKE NOTCHED CUTTING, THE BORING OF DIMPLES ON THE KEYS AND THE SYSTEM'S INTRICATE CONFIGURATIONS ADD EXTRA SAFEGUARD TO THE EXPRESSION "UNDER LOCK AND KEY". WITH 1,000 KEY CHANGES ON OFFER, YOU CAN ALSO MAKE USE OF MASTER KEY FEATURES FOR MORE SATISFACTION. UP TO 50 GROUPS OF MASTER-KEYING.

采用了先进的生产技术来进一步提升安全性能，该技术不同于传统的缺口切割技术，采用了新型的表面钻坑技术在钥匙的表面钻取酒窝状小坑，并配备了1000个密码和50款不同型号的钥匙

### Cyber 4 PLUS

EXTERNAL WAVE KEY / 外波款

A SPECIALLY CARVED PATTERN OF WAVES ON THE SURFACE OF THE 2.5mm THICK MATERIAL ON TWO OPPOSITE SIDES TO CREATE KEY PROFILES THAT ENSURE SECURITY FOR 3,000 DIFFERENT KEY CHANGES. FEATURES SUCH AS MASTER-KEYING FOR UP TO 50 GROUPS.

在2.5厘米厚的钥匙两面雕刻波浪纹，并配备了3000个密码和50个不同型号的钥匙。

### Cyber 5 (Series 2)

INTERNAL WAVE KEY / 内波款

THE NEW INTERNAL WAVE KEY PRESENTS CUTTING-EDGE AND STATE-OF-THE-ART KEY PRODUCTION TECHNOLOGY BY COMBINING TWO DIFFERENT KEY CUTTING PROCESSES INTO ONE KEY. THE KEY PROFILES ARE CUT INTO THE 3mm THICK SURFACE MATERIAL IN WAVE FORMS ADJACENT ONE ANOTHER, WHILE DIMPLES ARE BORED ALONG THE LATERAL SIDE WALLS, THUS ENSURING 8,000 DIFFERENT KEY CHANGES. THE CYBER 5 (SERIES 2) IS CAPABLE OF 150 MASTER GROUPS FOR MASTER KEYING PURPOSES.

采用了最新型的尖端技术在3厘米厚的钥匙两面雕刻花纹，并在钥匙的侧面钻取酒窝状小坑，这两种工艺的结合，使安全性能更为卓越，同时密码增加到了8000个之多，钥匙型号增加到了150款之多。

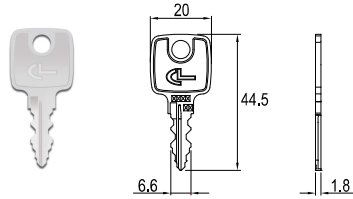




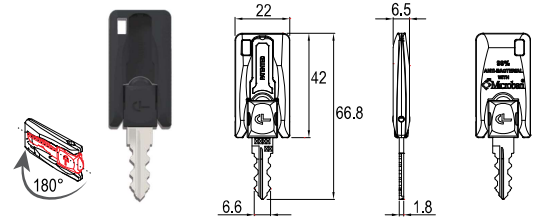
**Cyber 1 PLUS** **REGULAR KEY / 常规款**

**KEYS AND CAPS / 钥匙及钥匙柄**

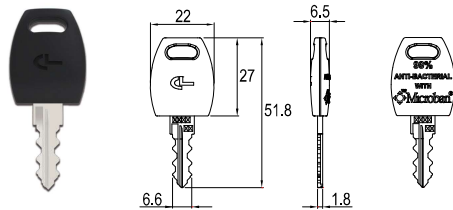
**K197-01** UNCAPPED KEY / 无柄型



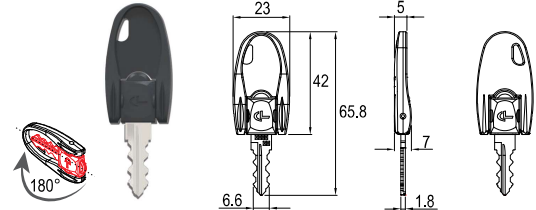
**K198-91** FLIP KEY CAP / 折叠钥匙



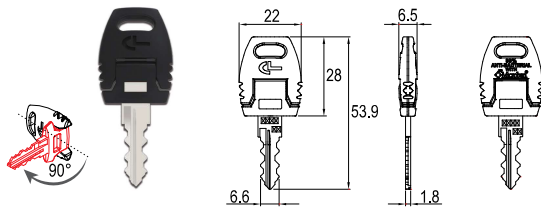
**K200-91** PLASTIC KEY CAP / 塑胶柄



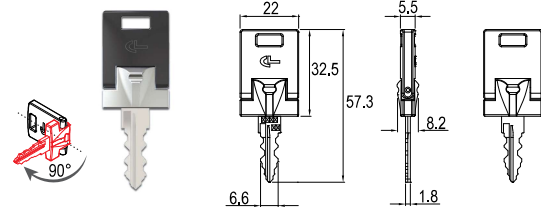
**K264-91** OVAL FLIP KEY CAP / 椭圆形折叠钥匙



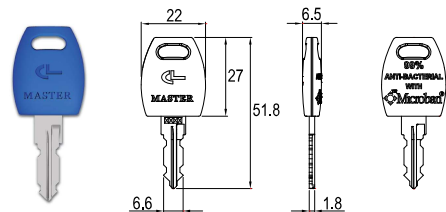
**K201-91** FOLDING KEY CAP (PLASTIC COVER) / 可折叠钥匙 (塑胶柄)



**K245-05A** FOLDING KEY CAP (ZINC COVER) / 可折叠钥匙 (锌柄)



**K200-93** MASTER KEY / 智能钥匙



**KEYED ALIKE / 同类型钥匙**

CHOOSE FROM THE FOLLOWING 50 KEY CHANGES  
有50款不同类型的钥匙可选

FROM **PA001** TO **PA050**  
从 到

**KEYED DIFFERENT / 不同类型的钥匙**

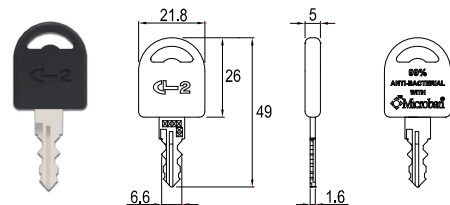
MAXIMUM **3,000** KEY CHANGES  
最大 位数密码可变换



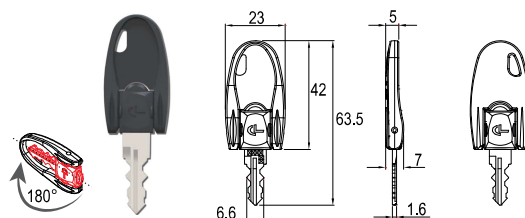
### Cyber 2 (Series 2) CLASSIC KEY / 经典款

#### KEYS AND CAPS / 钥匙及钥匙柄

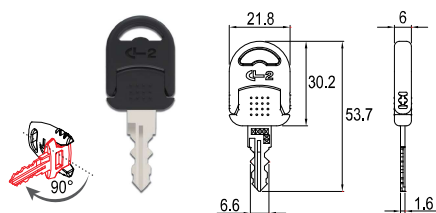
**K194-91** PLASTIC KEY CAP / 塑胶柄



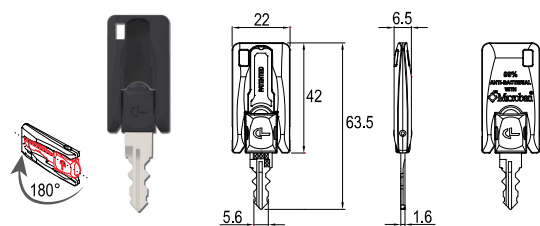
**K265-91** OVAL FLIP KEY CAP / 椭圆形折叠钥匙



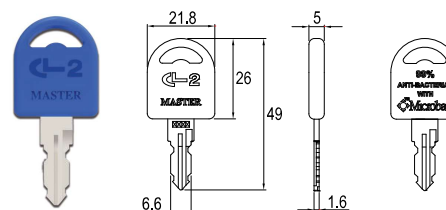
**K190-91** FOLDING KEY CAP (PLASTIC COVER) / 可折叠钥匙 (塑胶柄)



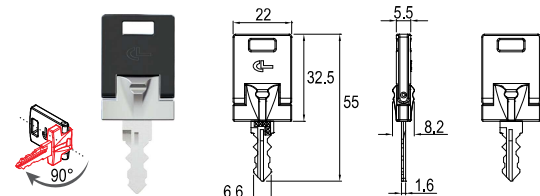
**K252-91** FLIP KEY CAP / 折叠钥匙



**K194-93** MASTER KEY / 智能钥匙



**K246-05A** FOLDING KEY CAP (ZINC COVER) / 可折叠钥匙 (锌柄)



#### KEYED ALIKE / 同类型钥匙

CHOOSE FROM THE FOLLOWING 20 KEY CHANGES  
有20款不同类型的钥匙可选

FROM 从 **KA001** TO 到 **KA020**

#### KEYED DIFFERENT / 不同类型的钥匙

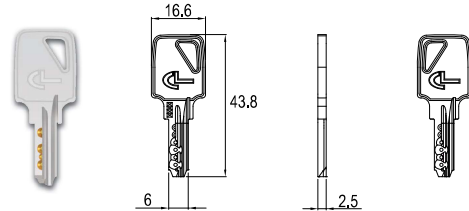
MAXIMUM 最大 **200** KEY CHANGES  
位数密码可变换



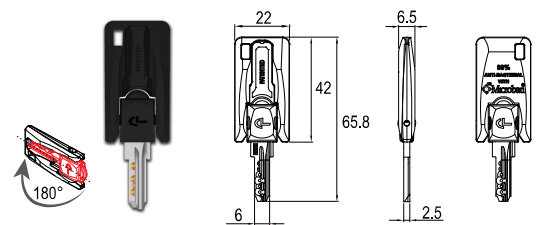
**Cyber 3** DIMPLE KEY (COMPUTER KEY) / 带酒窝款

**KEYS AND CAPS / 钥匙及钥匙柄**

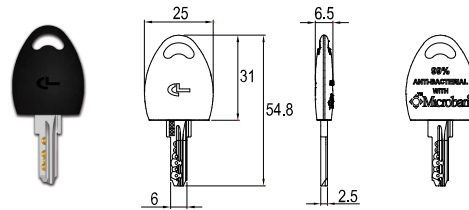
**K125-01** UNCAPPED KEY / 无柄型



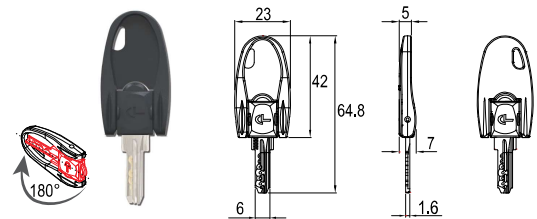
**K135-91** FLIP KEY CAP / 折叠钥匙



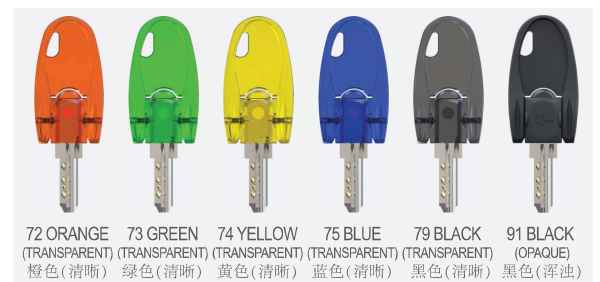
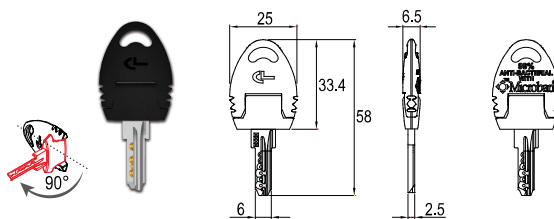
**K130-91** PLASTIC KEY CAP / 塑胶柄



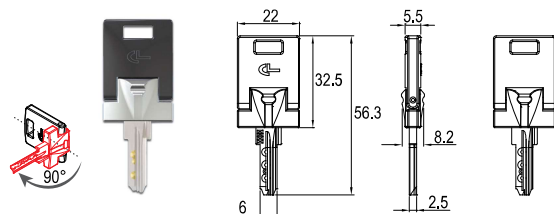
**K266-91** OVAL FLIP KEY CAP / 椭圆形折叠钥匙



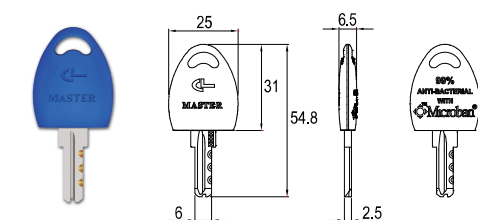
**K131-91** FOLDING KEY CAP (PLASTIC COVER) / 可折叠钥匙 (塑胶柄)



**K247-05A** FOLDING KEY CAP (ZINC COVER) / 可折叠钥匙 (锌柄)



**K130-93** MASTER KEY / 智能钥匙



**KEYED ALIKE / 同类型钥匙**

CHOOSE FROM THE FOLLOWING 50 KEY CHANGES  
 有50款不同类型的钥匙可选

FROM **KA01** TO **KA50**  
 从 到

**KEYED DIFFERENT / 不同类型的钥匙**

MAXIMUM **1,000** KEY CHANGES  
 最大 位数密码可变换



# KEY OPTIONS

钥匙可选类型

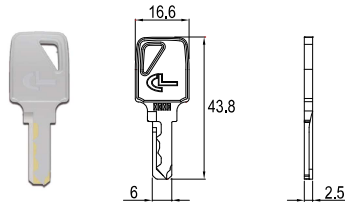


## Cyber 4 PLUS+

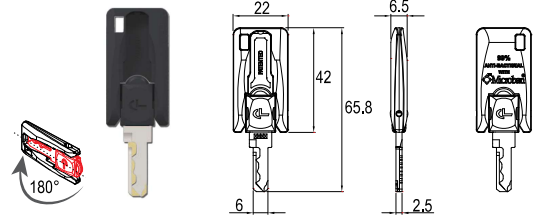
EXTERNAL WAVE KEY / 外波款

### KEYS AND CAPS / 钥匙及钥匙柄

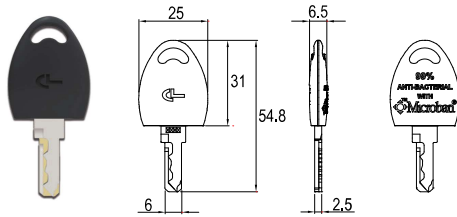
**K202-01** UNCAPPED KEY / 无柄型



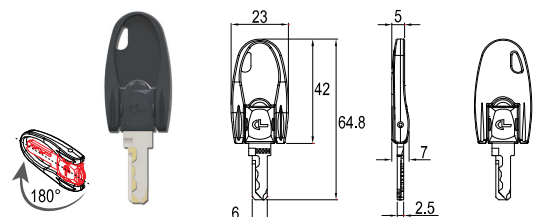
**K199-91** FLIP KEY CAP / 折叠钥匙



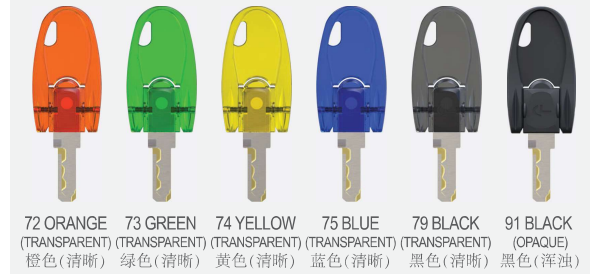
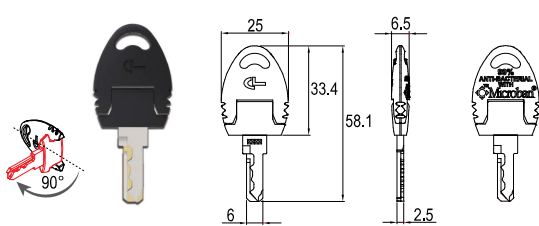
**K191-91** PLASTIC KEY CAP / 塑胶柄



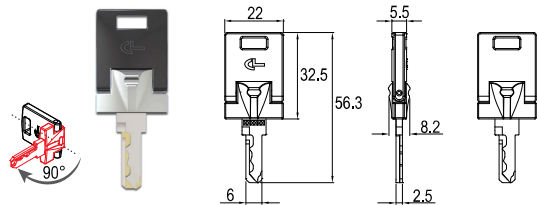
**K267-91** OVAL FLIP KEY CAP / 椭圆形折叠钥匙



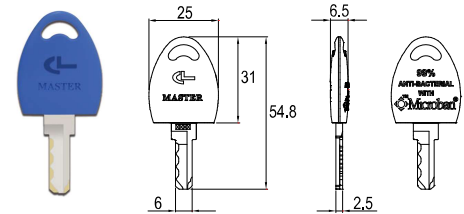
**K192-91** FOLDING KEY CAP (PLASTIC COVER) / 可折叠钥匙 (塑胶柄)



**K249-05A** FOLDING KEY CAP (ZINC COVER) / 可折叠钥匙 (锌柄)



**K191-93** MASTER KEY / 智能钥匙



#### KEYED ALIKE / 同类型钥匙

CHOOSE FROM THE FOLLOWING 50 KEY CHANGES  
有50款不同类型的钥匙可选

FROM **PA001** TO **PA050**  
从 到

#### KEYED DIFFERENT / 不同类型的钥匙

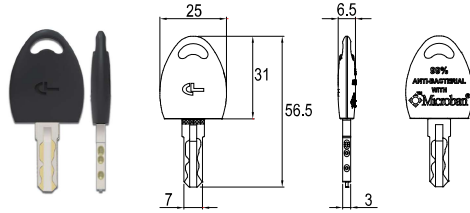
MAXIMUM **3,000** KEY CHANGES  
最大 位数密码可变换



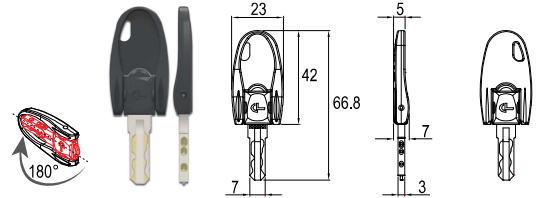
**Cyber 5 (Series 2) INTERNAL WAVE KEY / 内波款**

**KEYS AND CAPS / 钥匙及钥匙柄**

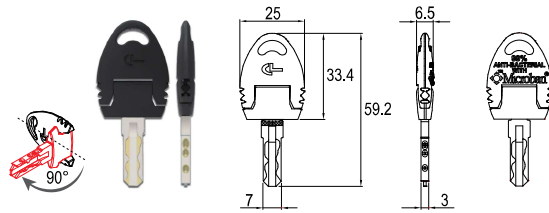
**K195-91** PLASTIC KEY CAP / 塑胶柄



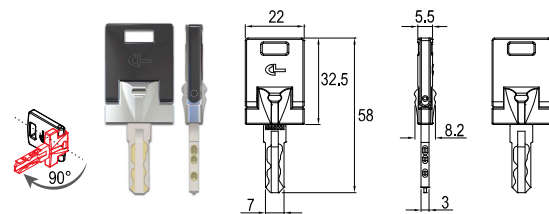
**K268-91** OVAL FLIP KEY CAP / 椭圆形折叠钥匙



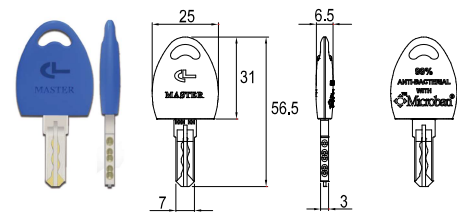
**K196-91** FOLDING KEY CAP (PLASTIC COVER) / 可折叠钥匙 (塑胶柄)



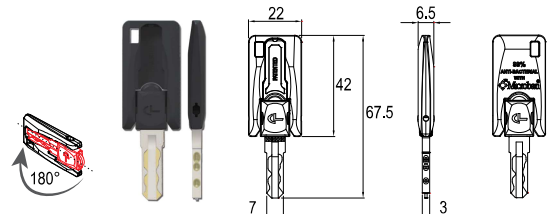
**K250-05A** FOLDING KEY CAP (ZINC COVER) / 可折叠钥匙 (锌柄)



**K195-93** MASTER KEY / 智能钥匙



**K193-91** FLIP KEY CAP / 折叠钥匙



**KEYED ALIKE / 同类型钥匙**

CHOOSE FROM THE FOLLOWING 200 KEY CHANGES  
有200款不同类型的钥匙可选

FROM 从 **A28001** TO 到 **A28200**

**KEYED DIFFERENT / 不同类型的钥匙**

MAXIMUM 最大 **8,000** KEY CHANGES  
位数密码可变换

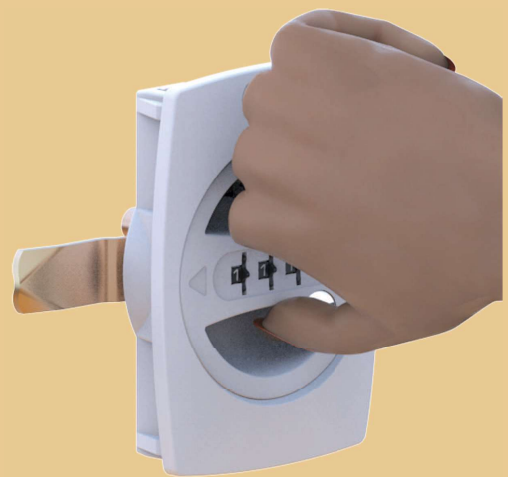
COMBI

 PERSONAL 私人  
 PUBLIC 公用



# OPERATING

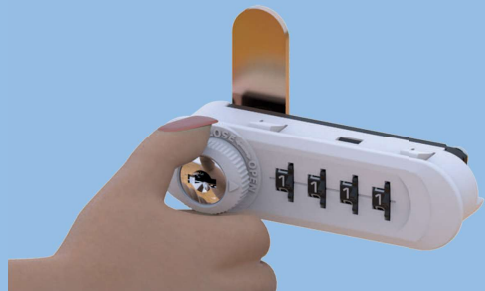
INSTRUCTIONS 操作指令



*Digit*

**COMBINATION LOCKS**

4位数密码锁

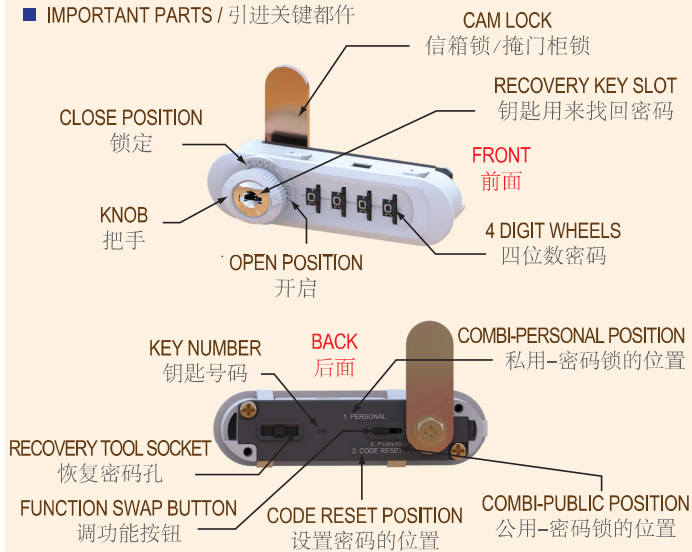




FOR  COMBI-PERSONAL / 私人专用



■ IMPORTANT PARTS / 引进关键都件



■ TO CHANGE THE SECRET CODE / 当需要重新设置新的密码时.

1. THE PRESET FACTORY CODE IS 0-0-0-0. TO CHANGE THE SECRET CODE, ROTATE THE KNOB TO OPEN POSITION. 出厂设置的密码是 0-0-0-0. 当需要重新设置新的密码时, 转把手 让箭头向“开启”(OPEN)的位置.
2. SLIDE THE FUNCTION SWAP BUTTON TO CODE RESET. 翻看锁匙后面并调按钮到“CODE RESET”的位置.
3. THE NEW SECRET CODE CAN BE RESET, E.G. 1-1-1-1. 现在可重新设置新密码, 比如 1-1-1-1.
4. ROTATE THE KNOB TO CLOSE POSITION. 设置密码完之后转把手回到“锁定”(CLOSE)的位置.
5. SLIDE THE FUNCTION SWAP BUTTON TO PERSONAL. 再次调按钮到“PERSONAL”的位置.
6. ROTATE THE KNOB BACK TO OPEN POSITION TO COMPLETE THE PROCESS. 最后转把手让箭头向“开启”(OPEN)的位置, 设置新密码完成.

FOR STEP 2 & 5 REMOVE THE CAM SHOULD IT OBSTRUCT THE FUNCTION SWAP BUTTON. 备注: 如果锁匙的舌头挡住了, 得先拿出舌头来.

■ TO LOCK / “锁”(LOCK) 的方法

1. TURN THE DIAL TO THE SET CODE, E.G. 1-1-1-1 AND ROTATE THE KNOB TO CLOSE POSITION. 箭头向“开启”(OPEN)的位置时先调好密码 1-1-1-1. 转把手让箭头向“锁定”(CLOSE)的位置.
2. TURN THE DIALS TO ANY NUMBER, E.G. 2-2-2-2 FOR LOCKING. 为了锁上锁匙, 随便调号码即可, 比如 2-2-2-2.

■ TO UNLOCK / “解锁”(UNLOCK) 的方法

1. TURN THE DIALS TO THE PREVIOUSLY SET SECRET CODE, E.G. 1-1-1-1. 调号码到正确的密码, 比如 1-1-1-1.
2. ROTATE THE KNOB TO OPEN POSITION. 调号码到正确的密码, 比如 1-1-1-1.

■ TO RECOVER THE SECRET CODE WHEN THE LOCK IS IN CLOSE POSITION 忘记密码时 锁在“锁定”(CLOSE)的状态下.

1. INSERT THE KEY INTO THE KNOB AND TURN TO OPEN POSITION DIRECTION UNTIL STOP. 插进钥匙并旋转, 让箭头向“开启”(OPEN)的位置.
2. TURN EACH OF THE DIALS UNTIL IT CANNOT MOVE (ALL FOUR DIALS) TO RECOVER THE FORGOTTEN SECRET CODE. 逐个拨动号码直至4个号码不能拨动, 即为正确密码.
3. TURN THE KEY TO CLOSE POSITION DIRECTION UNTIL STOP AND PULL THE KEY OUT. THE LOCK CAN NOW BE USED NORMALLY. 找到正确密码后, 旋转钥匙让箭头向“锁定”(CLOSE)的位置, 并拔出, 即正常使用.

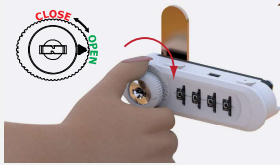
■ TO RECOVER THE SECRET CODE WHEN THE LOCK IS IN OPEN POSITION 忘记密码时 锁在“开启”(OPEN)的状态下.

1. INSERT THE SPECIAL TOOL PROVIDED WITH THE LOCK INTO THE RECOVERY TOOL SOCKET AND HOLD IT IN POSITION. 使用我们特别装配的特殊工件, 把它插进恢复密码孔 (RETURN NUMBER).
2. TURN EACH OF THE DIALS UNTIL IT CANNOT MOVE (ALL FOUR DIALS) TO RECOVER THE FORGOTTEN SECRET CODE. 逐个拨动号码直至4个号码不能拨动, 即为正确密码.
3. PULL THE SPECIAL TOOL OUT OF THE SOCKET. THE LOCK CAN NOW BE USED NORMALLY. 找到正确密码后拔出特殊工件.

FOR  COMBI-PUBLIC / 公用专用



■ TO CHANGE THE SECRET CODE / 当需要重新设置新的密码时.



1. THE PRESET FACTORY CODE IS 0-0-0-0. TO CHANGE THE SECRET CODE, ROTATE THE KNOB TO OPEN POSITION. 出厂设置的密码是 0-0-0-0. 当需要重新设置新的密码时, 转把手让箭头向“开启”(OPEN)的位置.



2. THE NEW SECRET CODE CAN BE RESET, E.G. 1-1-1-1. 可以重新设置新密码, 比如1-1-1-1, 设置新密码完成.

■ TO LOCK / “锁”(LOCK) 的方法



1. TURN THE DIALS TO THE SET CODE, E.G. 1-1-1-1 AND ROTATE THE KNOB TO CLOSE POSITION. 箭头向“开启”(OPEN)的位置时先调好密码 1-1-1-1. 转把手让箭头向“锁定”(CLOSE)的位置.

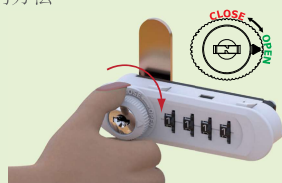


2. TURN THE DIALS TO ANY NUMBER, E.G. 2-2-2-2 FOR LOCKING. 为了锁上锁匙, 随便调号码即可, 比如 2-2-2-2.

■ TO UNLOCK / “解锁”(UNLOCK) 的方法



1. TURN THE DIALS TO THE PREVIOUSLY SET SECRET CODE, E.G. 1-1-1-1. 调号码到正确的密码, 比如 1-1-1-1.



2. ROTATE THE KNOB TO OPEN POSITION. 挑好密码之后, 转把手让箭头向“开启”(OPEN)的位置.

■ TO RECOVER THE SECRET CODE WHEN THE LOCK IS IN CLOSE POSITION 忘记密码时 锁在“锁定”(CLOSE)的状态下.



1. INSERT THE KEY INTO THE KNOB AND TURN TO OPEN POSITION DIRECTION UNTIL STOP. 插进钥匙并旋转, 让箭头向“开启”(OPEN)的位置.





2. TURN EACH OF THE DIALS UNTIL IT CANNOT MOVE (ALL FOUR DIALS) TO RECOVER THE FORGOTTEN SECRET CODE. 逐个拨动号码直至4个号码不能拨动, 即为正确密码.



3. TURN THE KEY TO CLOSE POSITION DIRECTION UNTIL STOP AND PULL THE KEY OUT. THE LOCK CAN NOW BE USED NORMALLY. 找到正确密码后, 旋转钥匙让箭头向“锁定”(CLOSE)的位置, 并拔出, 即正常使用.

HOW TO SWITCH BETWEEN FUNCTIONS / 更换钥匙功能方式

■ FROM  PERSONAL 把 调成  PUBLIC 公用




1. THE LOCK IS IN OPEN POSITION. 锁匙在“开启”(OPEN)的位置.



2. SLIDE THE FUNCTION SWAP BUTTON TO PUBLIC TO CHANGE THE FUNCTION TO COMBI-PUBLIC. 翻看锁匙后面并调按钮到 PUBLIC 的位置为了把“私人-密码锁”调成“公用-密码锁”.

FOR STEP 2, REMOVE THE CAM SHOULD IT OBSTRUCT THE SWAP BUTTON. 备注: 如果锁匙的舌头挡住了, 得先拿出舌头来

■ FROM  PUBLIC 把 调成  PERSONAL 私人



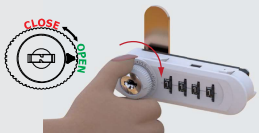
1. THE LOCK IS IN OPEN POSITION. THE SECRET CODE CAN BE RESET RIGHT AWAY E.G. 1-1-1-1. 锁在“开启”(OPEN)的状态下. 可立即重新设置新密码, 比如 1-1-1-1.



2. ROTATE THE KNOB TO CLOSE POSITION. 转把手让箭头向“锁定”(CLOSE)的位置



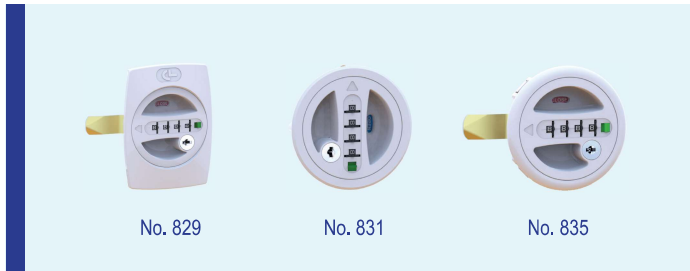
3. SLIDE THE FUNCTION SWAP BUTTON TO PERSONAL. 翻看锁匙后面并调按钮到 PERSONAL 的位置.



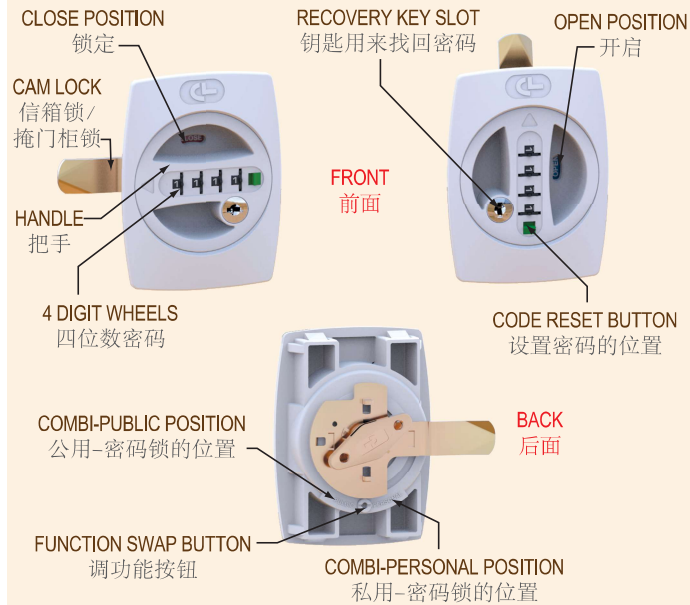
4. ROTATE THE KNOB TO OPEN POSITION TO CHANGE THE FUNCTION TO COMBI-PERSONAL. 转把手让箭头向“开启”(OPEN)的位置为了把“公用-密码锁”调成“私人-密码锁”.

FOR STEP 3 REMOVE THE CAM SHOULD IT OBSTRUCT THE FUNCTION SWAP BUTTON. 备注: 如果锁匙的舌头挡住了, 得先拿出舌头来

FOR  COMBI-PERSONAL / 私人专用



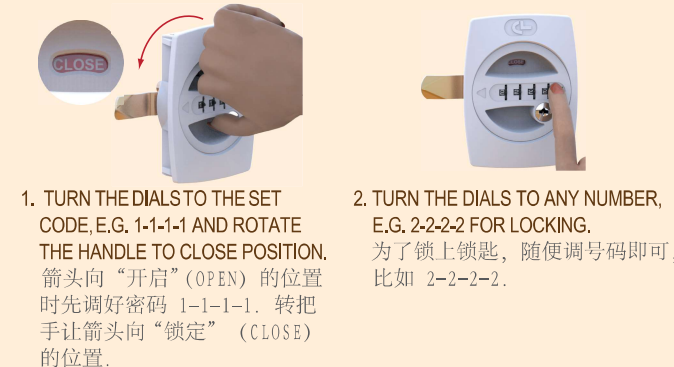
■ IMPORTANT PARTS / 引进关键都件



■ TO CHANGE THE SECRET CODE / 当需要重新设置新的密码时.



■ TO LOCK / “锁”(LOCK) 的方法



■ TO UNLOCK / “解锁”(UNLOCK) 的方法



■ TO RECOVER THE SECRET CODE WHEN THE LOCK IS IN CLOSE POSITION 忘记密码时 锁在“锁定”(CLOSE)的状态下.

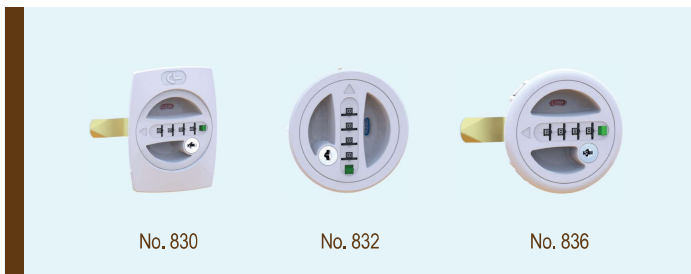


■ TO RECOVER THE SECRET CODE WHEN THE LOCK IS IN OPEN POSITION 忘记密码时 锁在“开启”(OPEN)的状态下.





FOR  COMBI-PUBLIC / 公用专用



■ TO CHANGE THE SECRET CODE / 当需要重新设置新的密码时.



1. THE PRESET FACTORY CODE IS 0-0-0-0. TO CHANGE THE SECRET CODE, ROTATE THE HANDLE TO OPEN POSITION.

出工厂设置的密码是 0-0-0-0. 当需要重新设置新的密码时, 转把手让箭头向“开启”(OPEN)的位置.



2. THE NEW SECRET CODE CAN NOW BE SET, E.G. 1-1-1-1. THE PROCESS IS COMPLETE.

可以重新设置新密码, 比如1-1-1-1, 设置新密码完成

■ TO LOCK / “锁”(LOCK) 的方法



1. TURN THE DIALS TO THE SET CODE, E.G. 1-1-1-1 AND ROTATE THE HANDLE TO CLOSE POSITION. 箭头向“开启”(OPEN)的位置时先调好密码 1-1-1-1. 转把手让箭头向“锁定”(CLOSE)的位置.



2. TURN THE DIALS TO ANY NUMBER, E.G. 2-2-2-2 FOR LOCKING. 为了锁上锁匙, 随便调号码即可, 比如 2-2-2-2.

■ TO UNLOCK / “解锁”(UNLOCK) 的方法



1. TURN THE DIALS TO THE PREVIOUSLY SET SECRET CODE, E.G. 1-1-1-1. 调号码到正确的密码, 比如 1-1-1-1.



2. ROTATE THE HANDLE TO OPEN POSITION. 转把手让箭头向“开启”(OPEN)的位置即可.

■ TO RECOVER THE SECRET CODE WHEN THE LOCK IS IN CLOSE POSITION 忘记密码时 锁在“锁定”(CLOSE)的状态下.



1. INSERT THE KEY AND TURN TO OPEN POSITION DIRECTION UNTIL STOP. 插进钥匙并旋转, 让箭头向“开启”(OPEN)的位置.



2. TURN EACH OF THE DIALS UNTIL IT CANNOT MOVE (ALL FOUR DIALS) TO RECOVER THE FORGOTTEN SECRET CODE. 逐个拨动号码直至4个号码不能拨动, 即为正确密码.



3. TURN THE KEY TO CLOSE POSITION DIRECTION UNTIL STOP AND PULL THE KEY OUT. THE LOCK CAN NOW BE USED NORMALLY. 找到正确密码后, 旋转钥匙让箭头向“锁定”(CLOSE)的位置, 并拔出, 即正常使用.

HOW TO SWITCH BETWEEN FUNCTIONS / 更换钥匙功能方式

■ FROM  PERSONAL 私人 TO  PUBLIC 公用



1. THE LOCK IS IN OPEN POSITION. 锁匙在“开启”(OPEN)的位置.



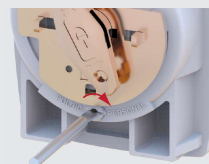
2. INSERT A FLAT OBJECT INTO THE FUNCTION SWAP BUTTON AND ROTATE TO PUBLIC TO CHANGE THE FUNCTION TO COMBI-PUBLIC. 翻看锁匙后面并使用扁平工具的物品插入“调功能按钮”然后旋转到“PUBLIC”的位置为了把“私人-密码锁”调成“公用-密码锁”.

FOR STEP 2, REMOVE THE CAM SHOULD IT OBSTRUCT THE FUNCTION SWAP BUTTON. 备注: 如果锁匙的舌头挡住了, 得先拿出舌头来.

■ FROM  PUBLIC 公用 TO  PERSONAL 私人



1. THE LOCK IS IN OPEN POSITION. THE SECRET CODE CAN BE RESET RIGHT AWAY E.G. 1-1-1-1. 锁在“开启”(OPEN)的状态下. 可立即重新设置新密码, 比如 1-1-1-1.



2. INSERT A FLAT OBJECT INTO THE FUNCTION SWAP BUTTON AND ROTATE TO PERSONAL TO CHANGE THE FUNCTION TO COMBI-PERSONAL. 翻看锁匙后面并使用扁平工具的物品插入“调功能按钮”然后旋转到“PERSONAL”的位置为了把“公用-密码锁”调成“私人-密码锁”.

FOR STEP 2, REMOVE THE CAM SHOULD IT OBSTRUCT THE FUNCTION SWAP BUTTON. 备注: 如果锁匙的舌头挡住了, 得先拿出舌头来.

FOR  COMBI-PERSONAL / 私人专用

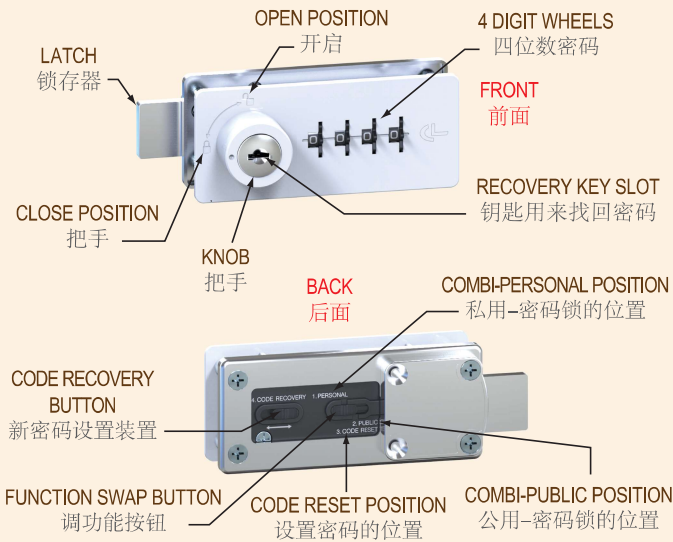


No. 839Z



No. 841Z

## ■ IMPORTANT PARTS / 引进关键都件



## ■ TO CHANGE THE SECRET CODE / 当需要重新设置新的密码时.

- 

1. THE PRESET FACTORY CODE IS 0-0-0-0. TO CHANGE THE SECRET CODE, ROTATE THE KNOB TO OPEN POSITION.  
出厂设置的密码是 0-0-0-0. 当需要重新设置新的密码时, 转把手 让箭头向“开启”(OPEN)的位置.
- 

2. SLIDE THE FUNCTION SWAP BUTTON TO CODE RESET.  
翻看锁匙后面并调按钮到“CODE RESET”的位置.
- 

3. THE NEW SECRET CODE CAN BE RESET, E.G. 1-1-1-1.  
现在可重新设置新密码, 比如 1-1-1-1.
- 

4. ROTATE THE KNOB TO CLOSE POSITION.  
设置密码完之后转把手回到“锁定”(CLOSE)的位置.
- 

5. SLIDE THE FUNCTION SWAP BUTTON TO PERSONAL.  
再次调按钮到“PERSONAL”的位置.
- 

6. ROTATE THE KNOB BACK TO OPEN POSITION TO COMPLETE THE PROCESS.  
最后转把手让箭头向“开启”(OPEN)的位置, 设置新密码完成.

## ■ TO LOCK/“锁”(LOCK)的方法



1. TURN THE DIALS TO THE SET CODE, E.G. 1-1-1-1 AND ROTATE THE KNOB TO CLOSE POSITION. 箭头向“开启”(OPEN)的位置时先调好密码 1-1-1-1. 转把手让箭头向“锁定”(CLOSE)的位置.

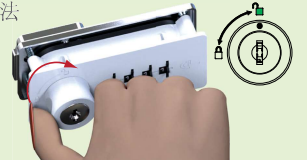


2. TURN THE DIALS TO ANY NUMBER, E.G. 2-2-2-2 FOR LOCKING. 为了锁上锁匙, 随便调号码即可, 比如 2-2-2-2.

## ■ TO UNLOCK/“解锁”(UNLOCK)的方法



1. TURN THE DIALS TO THE PREVIOUSLY SET SECRET CODE, E.G. 1-1-1-1. 调号码到正确的密码, 比如 1-1-1-1.



2. ROTATE THE KNOB TO OPEN POSITION. 调号码到正确的密码, 比如 1-1-1-1.

## ■ TO RECOVER THE SECRET CODE WHEN THE LOCK IS IN CLOSE POSITION 忘记密码时 锁在“锁定”(CLOSE)的状态下.



1. INSERT THE KEY INTO THE KNOB AND TURN TO OPEN POSITION DIRECTION UNTIL STOP. 插进钥匙并旋转, 让箭头向“开启”(OPEN)的位置.



2. SLIDE THE CODE RECOVERY BUTTON. 滑动密码恢复按钮



3. TURN EACH OF THE DIALS UNTIL IT CANNOT MOVE (ALL FOUR DIALS) TO RECOVER THE FORGOTTEN SECRET CODE. 逐个拨动号码直至4个号码不能拨动, 即为正确密码.



4. SLIDE THE CODE RECOVERY BUTTON BACK TO ITS ORIGINAL POSITION. 滑动密码恢复按钮到初始位置



5. TURN THE KEY TO CLOSE POSITION DIRECTION UNTIL STOP AND PULL THE KEY OUT. THE LOCK CAN NOW BE USED NORMALLY. 找到正确密码后, 旋转钥匙让箭头向“锁定”(CLOSE)的位置, 并拔出, 即正常使用.

## ■ TO RECOVER THE SECRET CODE WHEN THE LOCK IS IN OPEN POSITION 忘记密码时 锁在“开启”(OPEN)的状态下.



1. SLIDE THE CODE RECOVERY BUTTON. 滑动密码恢复按钮



2. TURN EACH OF THE DIALS UNTIL IT CANNOT MOVE (ALL FOUR DIALS) TO RECOVER THE FORGOTTEN SECRET CODE. 逐个拨动号码直至4个号码不能拨动, 即为正确密码.



3. SLIDE THE CODE RECOVERY BUTTON BACK TO ITS ORIGINAL POSITION. 滑动密码恢复按钮到初始位置

FOR  COMBI-PUBLIC / 公用专用

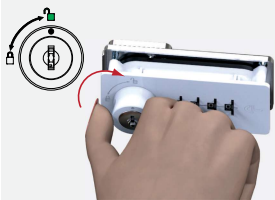


No. 840Z



No. 842Z

■ TO CHANGE THE SECRET CODE / 当需要重新设置新的密码时。

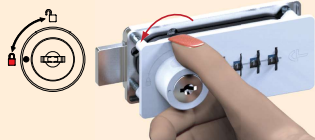


1. THE PRESET FACTORY CODE IS 0-0-0-0. TO CHANGE THE SECRET CODE, ROTATE THE KNOB TO OPEN POSITION. 出厂设置的密码是 0-0-0-0. 当需要重新设置新的密码时, 转把手让箭头向“开启”(OPEN)的位置。



2. THE NEW SECRET CODE CAN BE RESET, E.G. 1-1-1-1. 可以重新设置新密码, 比如1-1-1-1, 设置新密码完成。

■ TO LOCK / “锁”(LOCK) 的方法



1. TURN THE DIALS TO THE SET CODE, E.G. 1-1-1-1 AND ROTATE THE KNOB TO CLOSE POSITION. 箭头向“开启”(OPEN)的位置时先调好密码 1-1-1-1. 转把手让箭头向“锁定”(CLOSE)的位置。



2. TURN THE DIALS TO ANY NUMBER, E.G. 2-2-2-2 FOR LOCKING. 为了锁上锁匙, 随便调号码即可, 比如 2-2-2-2.

■ TO UNLOCK / “解锁”(UNLOCK) 的方法



1. TURN THE DIALS TO THE PREVIOUSLY SET SECRET CODE, E.G. 1-1-1-1. 调号码到正确的密码, 比如 1-1-1-1.



2. ROTATE THE KNOB TO OPEN POSITION. 挑好密码之后, 转把手让箭头向“开启”(OPEN)的位置。

■ TO RECOVER THE SECRET CODE WHEN THE LOCK IS IN CLOSE POSITION 忘记密码时 锁在“锁定”(CLOSE)的状态下。🔒



1. INSERT THE KEY INTO THE KNOB AND TURN TO OPEN POSITION DIRECTION UNTIL STOP. 插进钥匙并旋转, 让箭头向“开启”(OPEN)的位置。





2. TURN EACH OF THE DIALS UNTIL IT CANNOT MOVE (ALL FOUR DIALS) TO RECOVER THE FORGOTTEN SECRET CODE. 逐个拨动号码直至4个号码不能拨动, 即为正确密码。



3. TURN THE KEY TO CLOSE POSITION DIRECTION UNTIL STOP AND PULL THE KEY OUT. THE LOCK CAN NOW BE USED NORMALLY. 找到正确密码后, 旋转钥匙让箭头向“锁定”(CLOSE)的位置, 并拔出, 即正常使用。

HOW TO SWITCH BETWEEN FUNCTIONS / 更换钥匙功能方式


■ FROM  PERSONAL TO  PUBLIC 把 私人 调成 公用



1. THE LOCK IS IN OPEN POSITION. 锁匙在“开启”(OPEN)的位置。



2. SLIDE THE FUNCTION SWAP BUTTON TO PUBLIC TO CHANGE THE FUNCTION TO COMBI-PUBLIC. 翻看锁匙后面并调按钮到 PUBLIC 的位置为了把“私人-密码锁”调成“公用-密码锁”。

■ FROM  PUBLIC TO  PERSONAL 把 公用 调成 私人



1. THE LOCK IS IN OPEN POSITION. THE SECRET CODE CAN BE RESET RIGHT AWAY E.G. 1-1-1-1. 锁在“开启”(OPEN)的状态下, 可立即重新设置新密码, 比如 1-1-1-1.



2. ROTATE THE KNOB TO CLOSE POSITION. 转把手让箭头向“锁定”(CLOSE)的位置。



3. SLIDE THE FUNCTION SWAP BUTTON TO PERSONAL. 翻看锁匙后面并调按钮到 PERSONAL 的位置。



4. ROTATE THE KNOB TO OPEN POSITION TO CHANGE THE FUNCTION TO COMBI-PERSONAL. 转把手让箭头向“开启”(OPEN)的位置为了把“公用-密码锁”调成“私人-密码锁”。

HOW TO LOCK AND UNLOCK BY KEY / 如何使用钥匙进行锁定和解锁

■ TO LOCK / “锁”(LOCK) 的方法



1. INSERT THE KEY INTO THE KNOB AND TURN TO CLOSE POSITION (90° ROTATION). 将钥匙插入钥匙孔, 将钥匙往锁定位置旋转。(90° 旋转)。

■ TO UNLOCK / “解锁”(UNLOCK) 的方法



1. INSERT THE KEY INTO THE KNOB AND TURN TO OPEN POSITION (90° ROTATION). 将钥匙插入钥匙孔, 然后将钥匙往解锁位置旋转。(90° 旋转)。



# 3 DIGIT COMBINATION LOCK

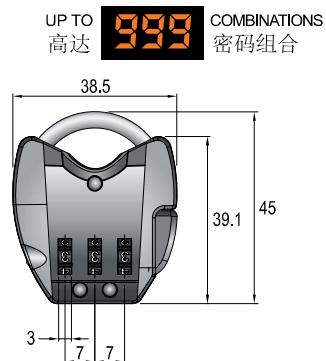
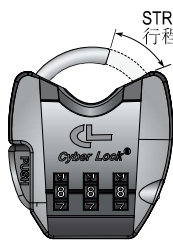
3 位密码锁

PADLOCK / 挂锁

NO. **PL-801**

NO. **PL-802**

 Digit / 位





## SPECIFICATIONS / 产品说明

- PADLOCK  
挂锁
- KEYLESS OPERATION  
不需要钥匙来锁定和解锁
- ZINC ALLOY DIE CAST HOUSING (NO. PL-801)  
锌合金外壳 (NO. PL-801)
- PLASTIC HOUSING (NO. PL-802)  
塑胶外壳 (NO. PL-802)

## A SET INCLUDES / 配套工具

- 1 LOCK  
1 把锁

## FN FINISH / 颜色

FOR PL-801	ZINC / 锌
<b>56</b>	SKY BLUE / 蓝色 
<b>57</b>	YELLOW / 黄色 
<b>58</b>	ORANGE / 橙色 
<b>59</b>	RED / 红色 
<b>60</b>	GREEN / 绿色 

FOR PL-802	PLASTIC / 塑料
<b>63</b>	GREEN / 绿色 
<b>64</b>	YELLOW / 黄色 
<b>88</b>	ORANGE / 橙色 
<b>89</b>	RED / 红色 
<b>93</b>	SKY BLUE / 蓝色 

## PRODUCT CODE / 产品代码

**PL-801-FN-CL**

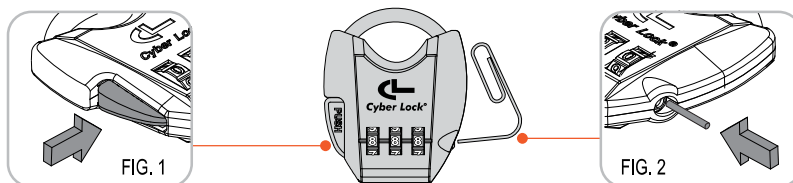
**PL-802-FN-CL**

## ORDERING EXAMPLE & EXPLANATION

### 样品和说明

- PL-801-58-CL  
PADLOCK, ZINC ALLOY DIE CAST HOUSING, ORANGE FINISH.  
挂锁, 锌合金压铸外壳, 橙色.
- PL-802-63-CL  
PADLOCK, PLASTIC HOUSING, GREEN FINISH.  
挂锁, 塑胶外壳, 绿色.

## OPERATING INSTRUCTIONS / 操作指令



### TO LOCK & UNLOCK 锁定和解锁

**THE PRESET FACTORY CODE IS 0-0-0.**

预设的密码为0-0-0

1. THE PADLOCK IS UNLOCKED AT FACTORY PRESET 0-0-0.

预设的密码0-0-0为空密码

2. THE LEFT BUTTON (FIG. 1) WORKS SIMULTANEOUSLY WITH THE TOP SHACKLE FOR LOCKING AND UNLOCKING.

左侧的按钮为开关锁按钮 (FIG. 1)

### TO CHANGE THE SECRET CODE 设置新密码

设置新密码

1. INSERT A SHARP OBJECT INTO THE HOLE ALONG THE SIDE OF THE PADLOCK (FIG. 2).  
TURN THE DIALS TO THE DESIRED SECRET CODE.

尖物插入锁侧边的孔内按住并设置新的密码

2. REMOVE THE SHARP OBJECT FROM THE PADLOCK TO COMPLETE THE SETTING.

将尖物拔出完成密码设置

3. TURN THE DIALS ONCE AGAIN TO LOCK.

再输入一次锁定

**REMARKS: THE SECRET CODE CAN BE RESET ONLY WHEN THE PADLOCK IS IN UNLOCKED POSITION.**

备注: 当锁处于打开的状态下才可以重新设置新的密码



ALL MEASUREMENTS : mm / 测量单位为毫米



*The Lock from Lock Experts*

**赛博乐**  
锁从锁专家

**SIAM INTER LOCK TEK CO., LTD.**

SAMUT SAKHON INDUSTRIAL ESTATE,

1/8,1/10,1/138 MOO 2 PRARAM 2 RD., TASAI, MUANG, SAMUT SAKHON 74000, THAILAND

TEL: 66-3449-0471 FAX: 66-3449-0475

E-MAIL: CLLOCKS@YAHOO.COM WEBSITE: WWW.CYBER-LOCK.COM